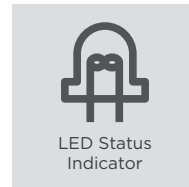
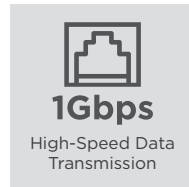
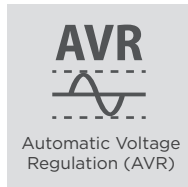
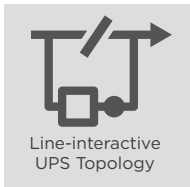




ENERGY-SAVING TOWER UPS



Energy-saving UPS systems save up to 93% of power consumption

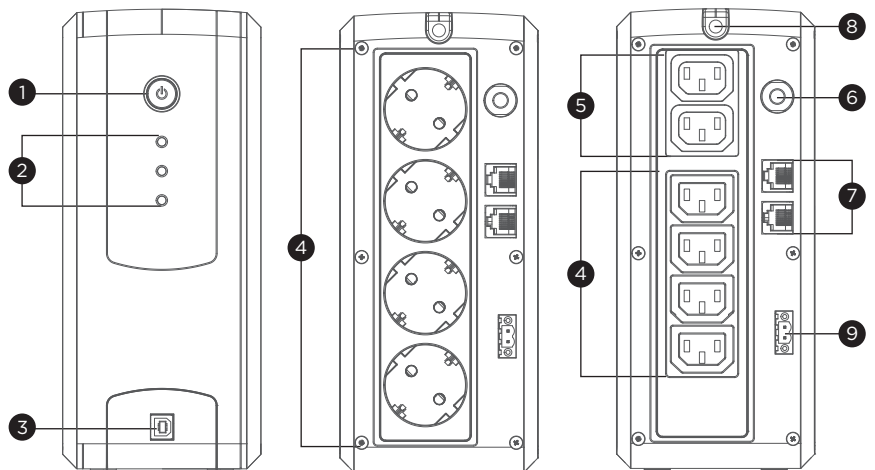
Designed for home and office applications, the UT Series adopts line-interactive topology with Automatic Voltage Regulation (AVR) function to offer stabilized AC power output. The patented GreenPower UPS™ Bypass design achieves ultra-low power consumption to reduce energy costs. The LED indicator shows the utility, battery and operating status of the UPS. Other features include overload protection, EMI filter and configurable alarm to safeguard your devices.

SERIES FEATURES

- Line-interactive UPS Topology
- Energy Saving Technology
- Automatic Voltage Regulation (AVR)
- Generator Compatible
- LED Status Indicator
- Overload Protection
- Surge and Spike Protection
- Phone/Fax/Modem/DSL/Network Protection
- High-Speed Ethernet Data Transmission
- USB Connectivity Port
- PowerPanel® Management Software
- PowerPanel® Cloud Service
- Configurable Alarm
- EMI and RFI Filtration

PRODUCT CALLOUTS

- 1 . Power On/Off Switch
- 2 . LED Status Indicators
- 3 . USB Port
- 4 . Battery Backup & Surge Protected Outlets
- 5 . Surge Protected Outlets
- 6 . Input Circuit Breaker
- 7 . Communication Protection Ports RJ11/RJ45
- 8 . AC Input Power Cord
- 9 . Dry Contact



UT1200EG

UT1200EIG



TECHNICAL SPECIFICATIONS

Model Name	UT1200EG	UT1200EIG
General		
UPS Topology	Line-interactive	
Energy Saving Technology	GreenPower UPS™ Bypass Technology	
Input		
Generator Compatibility	Yes	
Nominal Input Voltage (Vac)	230 ± 10%	
Input Voltage Range (Vac)	165 - 290	
Input Frequency (Hz)	50 ± 5, 60 ± 5	
Input Frequency Detection	Auto-sensing	
Rated Input Current (A)	5.21	
Input Connector Type	Schuko	
Output		
Capacity (VA)	1200	
Capacity (Watts)	700	
On Battery Waveform	Simulated Sine Wave	
On Battery Voltage(s) (Vac)	230 ± 10%	
On Battery Frequency (Hz)	50 ± 1%, 60 ± 1%	
Automatic Voltage Regulation (AVR)	Single Boost, Single Buck	
Overload Protection	Circuit Breaker	
Outlet(s) - Total	4	6
Outlet Type	Schuko x 4	IEC C13 x 6
Outlet(s) - Battery & Surge Protected	4	
Outlet(s) - Surge-Only Protected	-	2
Typical Transfer Time (ms)	4	
Battery		
Runtime at 60W (min)	87	
Runtime at 90W (min)	48	
Runtime at 200W (min)	17	
Typical Recharge Time (Hours)	6	
User-replaceable	No	
Battery Type	Sealed Lead-acid	
Replacement Battery Pack	RBP0063	
RBP Quantity (pcs)	2	
Surge Protection & Filtering		
Surge Suppression (Joules)	150	
EMI/RFI Filtration	Yes	
Phone/Network Protection RJ11/RJ45 (Combo)	1-in, 1-out	
Management & Communications		
LED Indicators	Power On, Line Mode, Battery Mode, Bypass Mode, Low Battery, Overload, UPS Fault	
HID Compliant USB Port(s)	1	
Audible Alarms	Battery Mode, Low Battery, Overload, UPS Fault	
Ethernet Data Transmission Speed	Up to 1Gbps	
Power Management Software	PowerPanel® Personal (Recommended)	
PowerPanel® Cloud Service	Yes - 30 Days Free Trial	
Physical		
Form Factor	Tower	
Physical Size - UPS Module		
Dimensions (WxHxD) (mm.)	95 x 220 x 307	
Weight (kg.)	7.6	
Environmental		
Operating Temperature (°C)	0 - 40	
Operating Relative Humidity (Non-condensing) (%)	0 - 90	
Online Thermal Dissipation (BTU/hr)	27	
Certifications		
Certifications*	CE	
RoHS	Yes	

*Certifications may vary according to different regions. Visit www.cyberpower.com for more information.
 #All specifications are subject to change without notice.