



PLUG-AND-PLAY DRY CONTACT RELAY CARD FOR UPS LOCAL MANAGEMENT

The relay I/O card allowing users to communicate UPS status and events to perform local management

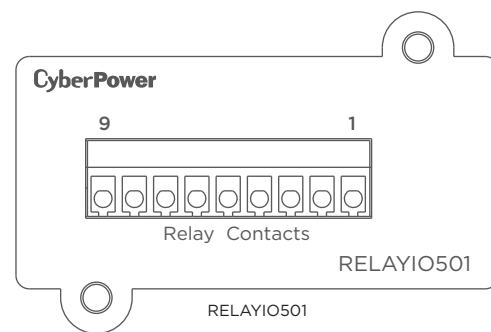
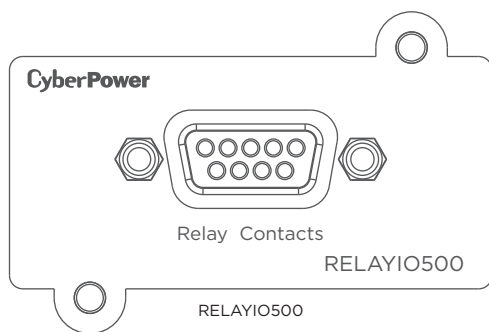
Ideal for UPS systems, the Onsite Management Card Series is an add-on component for UPS expansion port, providing local management solution for UPS systems to easily monitor and control UPS status. The cards support plug-and-play for compatible UPS. The relay I/O cards feature a dry contact interface, which is able to provide ON/OFF control of connected devices, such as triggering emergency alarms, exit lights, generators, and more.

COMPATIBLE UPS

- Office Rackmount Series
- Professional Tower Series
- Professional Rackmount Series
- Online Series
- Online S (Premium) Series
- Online S (Advanced) Series
- Online S (ECO) Series

SERIES FEATURES

- Dry Contact Relay
- UPS Status Monitoring
- Plug-and-play Installation
- RoHS Compliant



TECHNICAL SPECIFICATIONS

Model Name	RELAYIO500	RELAYIO501
General		
Power Dissipation (Watts)		1.35
Connector Type	DB9	Hardwire Terminal Block
Support Plug-and-Play Installation		Yes
Management & Communications		
Shut Down UPS		Yes
Dry Contact Relay (pcs)		5
Physical		
Dimensions (WxHxD) (mm.)	54 x 36.1 x 80.7	54 x 36.1 x 76.5
Weight (g.)		52
Certifications		
Certifications*		FCC Class B
RoHS		Yes

*Certifications may vary according to different regions. Visit www.cyberpower.com for more information.
#All specifications are subject to change without notice.