

DS-3E1526P-SI

Smart Managed 24-Port Gigabit PoE Switch

Smart managed switches are developed by Hikvision, featuring in easy management and maintenance. You can easily deploy, monitor and expand your security system anytime and anywhere with our software platforms. You can view the network topology, monitor the health of the network and receive device alarms in real time, which greatly reduces the cost of network operation and maintenance.



- 24 × gigabit PoE ports, and 2 × gigabit fiber optical ports.
- IEEE 802.3at/af standard for PoE ports.
- Network topology management, alarm push, network health monitor.
- 6 KV surge protection for PoE ports.
- AF/AT camera can reach up to 300 m in extend mode.
- PoE watchdog to auto detect and restart the cameras that do not respond.
- Various layer 2 management protocols such as STP/RSTP, VLAN, link aggregation, SNMP, QoS and so on.



▪ Specification

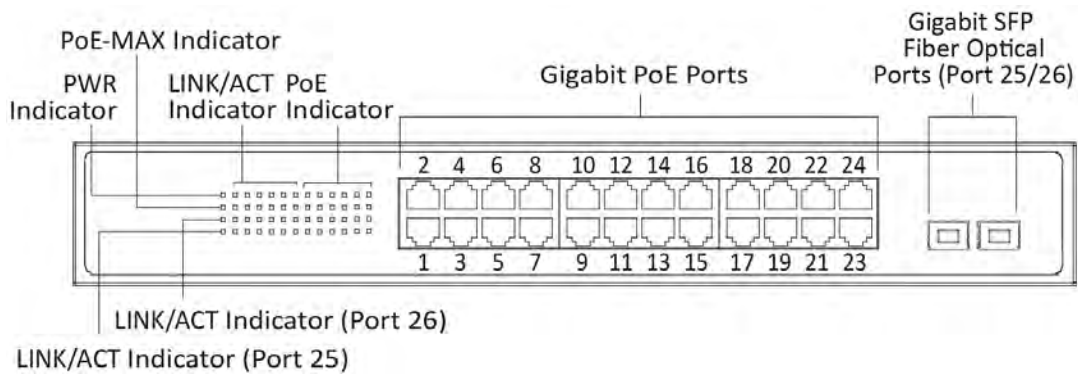
	Model	DS-3E1526P-SI
PoE Power Supply	PoE Standard	IEEE 802.3af, IEEE 802.3at
	PoE Power Pin	End-span: 1/2(-), 3/6(+) Mid-span: 4/5(+), 7/8(-) 8-pin power: 1/2(-), 3/6(+), 4/5(+), 7/8(-)
	PoE Port	PoE: Ports 1 to 24
	Max. Port Power	Port 1 to 24: 30 W
	PoE Power Budget	370 W
Network Parameters	Port Number	24 × gigabit PoE port, and 2 × gigabit fiber optical port
	Port Type	RJ45 port, full duplex, MDI/MDI-X adaptive
	Standard	IEEE 802.3, IEEE 802.3u, IEEE 802.3x, IEEE 802.3ab, and IEEE 802.3z
	Forwarding Mode	Store-and-forward switching
	Working Mode	Standard mode (default) Extend mode
	MAC Address Table	8 K
	Switching Capacity	52 Gbps
	Packet Forwarding Rate	36.688 Mpps
	Internal Cache	4.1 Mbits
Software Function	Device Maintenance	Remote upgrade, default parameters recovery, logs viewing, basic network parameters configuration, import and export configuration, time sync
	Port Configuration	Port rate configuration, flow control, and ports enabling
	Long Range	Up to 300 m transmission
	PoE Configuration	PoE watchdog: Ports 1 to 24 auto detect and restart the cameras that do not respond. PoE enabling: Support
	Port Rate-Limiting	Rate-limiting for ingress and egress ports
	Storm Control	Storm control of unknown unicast, multicast and broadcast
	Port Mirroring	Support
	Link Aggregation	Static link aggregation supported
	Port Isolation	Ports in isolation group cannot communicate with each other.
	QoS	WRR and SP scheduling and port priority
	VLAN	4094 VLANs
	STP	STP and RSTP protocols
	SNMP	SNMPv1 and SNMPv2c supported for obtaining node information of the system and interfaces
	LLDP	LLDP protocol supported for port configuration, global configuration and neighbor discovery
General	Shell	Metal material
	Net Weight	2.975 kg (6.56 lb)
	Gross Weight	3.535 kg (7.79 lb)
	Dimension (W × H × D)	440 mm × 44 mm × 221 mm (17.32" × 1.73" × 8.7")
	Operating Temperature	-10°C to 55°C (14°F to 131°F)

	Storage Temperature	-40°C to 85°C (-40°F to 185°F)
	Operating Humidity	5% to 95% (no condensation)
	Relative Humidity	5% to 95% (no condensation)
	Power Supply	100 to 240 VAC, 50/60 Hz, Max. 6.5 A
	Max. Power Consumption	400 W
	Power Consumption in Idle	30 W
Approval	EMC	FCC (47 CFR Part 15, Subpart B); CE-EMC (EN 55032: 2015, EN IEC 61000-3-2: 2019, EN 61000-3-3: 2013+A1: 2019, EN 50130-4: 2011 +A1: 2014, EN 55035: 2017); IC (ICES-003: Issue 6); RCM (AS/NZS CISPR 32: 2015)
	Safety	UL (UL 60950-1); CB (IEC 60950-1:2005, AMD1:2009, AMD2:2013, IEC 62368-1: 2014 (Second Edition); CE-LVD (EN 60950-1: 2006 + A11: 2009 +A1: 2010+A12: 2011+A2: 2013, EN 62368-1: 2014+A11: 2017)
	Chemistry	CE-RoHS (2011/65/EU); WEEE (2012/19/EU); Reach (Regulation (EC) No.1907/2006)

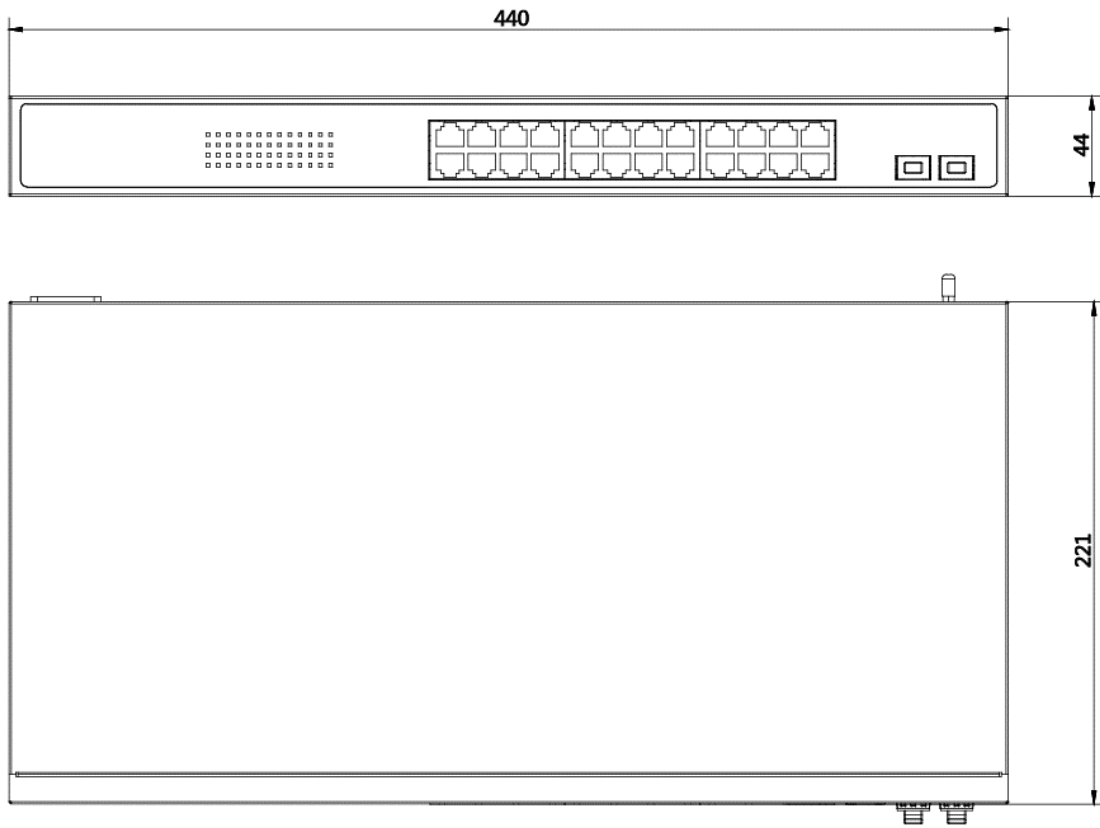
▪ **Available Model**

DS-3E1526P-SI

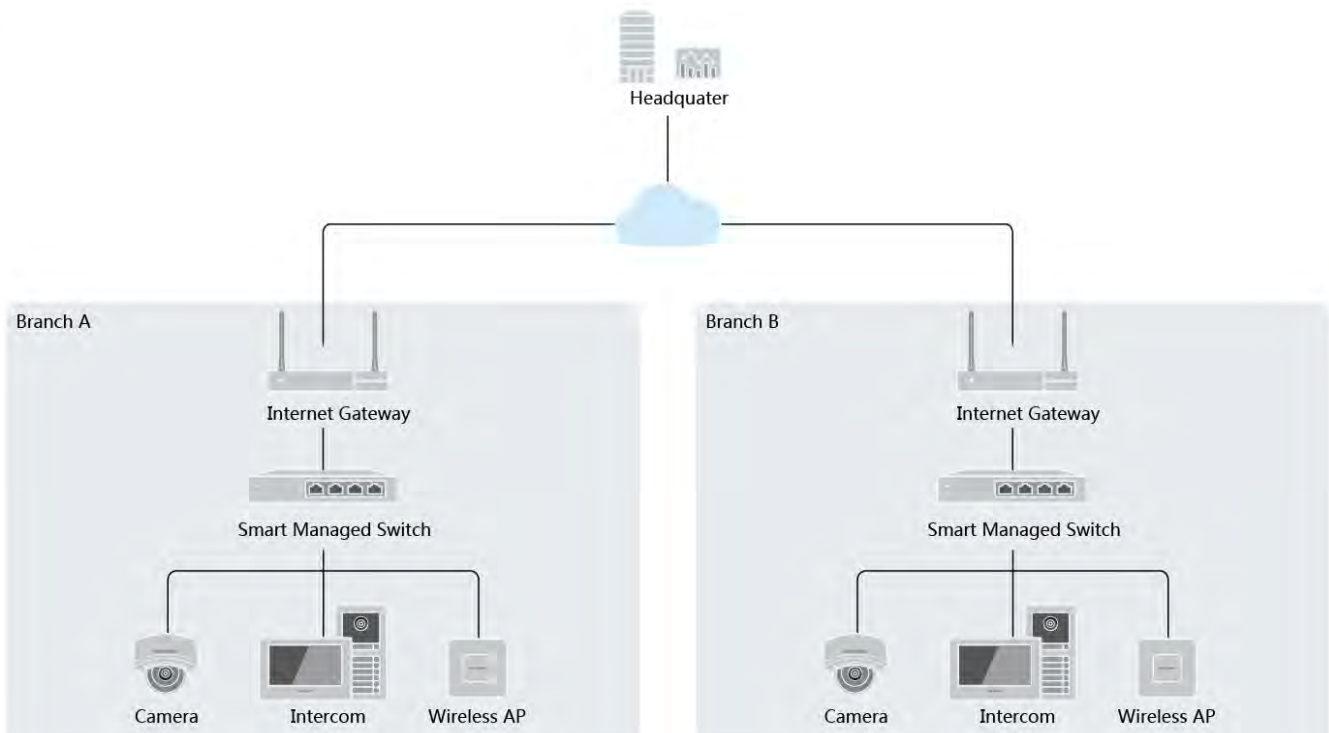
▪ **Physical Interface**



▪ Dimension (unit: mm)



▪ Typical Application



Distributed by



HIKVISION

Headquarters

No.555 Qianmo Road, Binjiang District,
Hangzhou 310051, China
T +86-571-8807-5998
overseasbusiness@hikvision.com

Hikvision USA
T +1-909-895-0400
sales.usa@hikvision.com

Hikvision Australia
T +61-2-8599-4233
salesau@hikvision.com

Hikvision India
T +91-22-28469900
sales@pramahikvision.com

Hikvision Canada
T +1-866-200-6690
sales.canada@hikvision.com

Hikvision Thailand
T +662-275-9949
sales.thailand@hikvision.com

Hikvision Europe
T +31-23-5542770
sales.eu@hikvision.com

Hikvision Italy
T +39-0438-6902
info.it@hikvision.com

Hikvision Brazil
T +55 11 3318-0050
Latam.support@hikvision.com

Hikvision Turkey
T +90 [216]521 7070- 7074
sales.tr@hikvision.com

Hikvision Malaysia
T +601-7652-2413
sales.my@hikvision.com

Hikvision UK & Ireland
T +01628-902140
sales.uk@hikvision.com

Hikvision South Africa
Tel: +27 (10) 0351172
sale.africa@hikvision.com

Hikvision France
T +33(0)1-85-330-450
info.fr@hikvision.com

Hikvision Kazakhstan
T +7-727-9730667
nikia.panfilov@hikvision.ru

Hikvision Vietnam
T +84-974270888
sales.vt@hikvision.com

Hikvision UAE
T +971-4-4432090
salesme@hikvision.com

Hikvision Singapore
T +65-6684-4718
sg@hikvision.com

Hikvision Spain
T +34-91-737-16-55
info.es@hikvision.com

Hikvision Tashkent
T +99-87-1238-9438
uzb@hikvision.ru

Hikvision Hong Kong
T +852-2151-1761
info.hk@hikvision.com

Hikvision Russia
T +7-495-669-67-99
saleru@hikvision.com

Hikvision Korea
T +82-(0)31-731-8817
sales.korea@hikvision.com

Hikvision Poland
T +48-22-460-01-50
info.pl@hikvision.com

Hikvision Indonesia
T +62-21-2933759
Sales.Indonesia@hikvision.com

Hikvision Colombia
sales.colombia@hikvision.com