

POE130-AT Single-Port IEEE802.3at Midspan

GIGABIT POWER OVER ETHERNET PLUS

Product Features

- Fully IEEE 802.3at Compliant
- Backward Compatible to IEEE 802.3af Applications
- Guaranteed Output Power of 30 W
- Supports 10/100/1000Base-T Data Rates
- Safe: Low Power Devices Receive Only the Power They Need
- Automatic Detection and Protection of Non-Standard Ethernet Terminals
- Small and Compact Design



The POE130-AT Power over Ethernet (PoE) single-port midspan is designed to meet the demanding data rate and power requirements of IP cameras with high-quality streaming video capabilities. The PoE+ single-port midspan offers total output power of 30 W, and meets the IEEE802.3at standard for detection, connection, disconnection, and fault protection.

The POE130-AT input voltage range is 90 to 264 VAC. Maximum input current is 1 A (RMS) at 100-240 VAC.

TECHNICAL SPECIFICATIONS

MODELS

Model	Description
POE130-ATUS	Single-port PoE+, 30 W midspan, with US power cord
POE130-ATEU	Single-port PoE+, 30 W midspan, with European power cord

ELECTRICAL

Input

Input Voltage Rating	90 to 264 VAC
AC Input Current	1 A (RMS) at 100 to 240 VAC
AC Input Frequency	50 to 60 Hz

Output

Output Voltage	55 VDC
Output Power	30 W
Isolation (HI-POT)	Primary to Secondary: 1,500 VAC for 1 minute, 10 mA
Insulation Resistance	Primary to Secondary: >10 Mohm at 500 VDC
Over Voltage/Current, Short Circuit Protection	The output is equipped with short-circuit protection and overload protection according to the IEEE802.3at specification

Connection

AC Input Connector	3-pin (C5)
Output Connection	
+pins	4, 5
-pins	7, 8
Data IN/OUT Connector	Shielded RJ-45, EIA 568A and 568B

FRONT PANEL INDICATORS/FUNCTIONS

Status LED Color	Description
Yellow	AC Power
Green	Channel Power

ENVIRONMENTAL

Operating Temperature	-10° to 40°C (14° to 104°F)
Storage Temperature	-20° to 70°C (-4° to 158°F)
Maximum Humidity	90% non-condensing

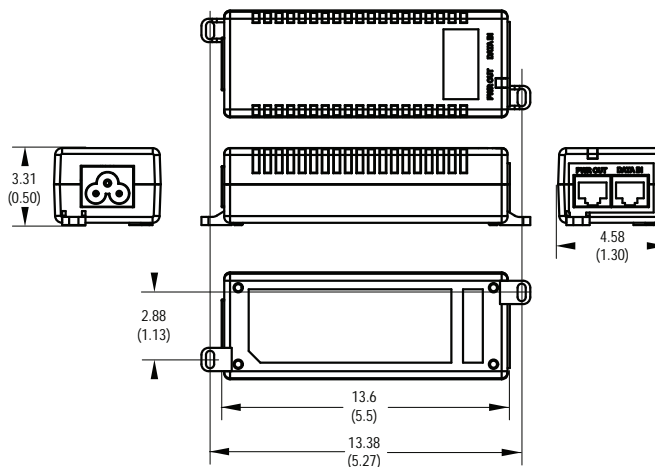
OPTIONAL ACCESSORIES

POE1XT	Single-Port PoE Gigabit Extender extends PoE 100 meters (328 feet) providing a single-port 802.3af output; refer to the POE1XT specification sheet for capabilities
--------	---

CERTIFICATIONS

- CE, EN55022 Class B
- FCC, Part 15, Class B
- UL/cUL Listed

 VALUES IN PARENTHESES ARE INCHES; ALL OTHERS ARE CENTIMETERS.



Pelco

625 W. Alluvial, Fresno, California 93711 United States

USA & Canada Tel (800) 289-9100 Fax (800) 289-9150

International Tel +1 (559) 292-1981 Fax +1 (559) 348-1120

www.pelco.com www.pelco.com/community

▲ WARNING: Cancer and Reproductive Harm - www.P65Warnings.ca.gov.
▲ ADVERTENCIA: Cáncer y Daño Reproductivo - www.P65Warnings.ca.gov.
▲ AVERTISSEMENT: Cancer et Troubles de l'appareil reproducteur - www.P65Warnings.ca.gov.

Pelco, the Pelco logo, and other trademarks associated with Pelco products referred to in this publication are trademarks of Pelco, Inc. or its affiliates. ONVIF and the ONVIF logo are trademarks of ONVIF Inc. All other product names and services are the property of their respective companies. Product specifications and availability are subject to change without notice. ©Copyright 2019, Pelco, Inc. All rights reserved.