

# Bluetooth Reader Family

Smart Access for Everyone Everywhere



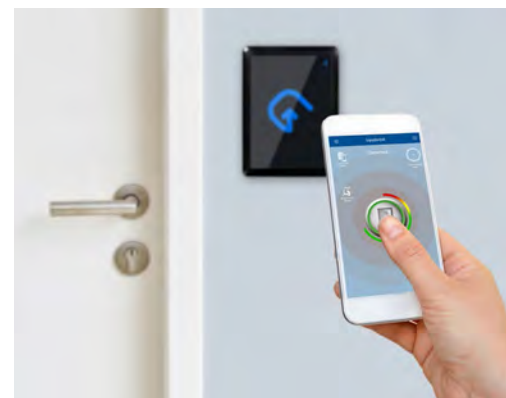
Vanderbilt's range of Bluetooth Readers is a secure and flexible identification solution bringing the access credential to Android™ and iOS® smartphones. Bluetooth® Low Energy (BLE) is transforming the future of access control and removes the need for a physical card or tag. Simultaneous support of smartphones and a wide range of smart cards bridges the gap from traditional access credentials to cardless mobile access control and allows a seamless integration into existing locations.

Economical and versatile, Vanderbilt's Bluetooth readers are ideal for facilitating distributed workplaces, allowing employees to have their access credentials on their smart devices wherever they go. The readers offer four identification modes for easy access management utilizing "Shake-to-Go" and "Show-to-Go" gesture technology alongside "Handsfree" and "Manual Button" access modes.

The BLUE-EX door exit button facilitates non-contact door release for applications where high standards of hygiene are required. It features a build-in mechanical override in case of power failure or electronic failure and is designed in the same look and feel as the Bluetooth reader range to round off the family offering.

## Features:

- ✓ Wiegand and RS485 reader interface
- ✓ Compatible with MIFARE Ultralight®, MIFARE® Classic, MIFARE Plus®, MIFARE® DESFire® EV1, EV2
- ✓ Compatible systems: ACT Enterprise, OMNIS, ACT365, SPC, as well as multiple third-party partner systems.
- ✓ FREE end-user app for Android™ and iOS™
- ✓ IP65 water-resistant with waterproof electronics



**VANDERBILT**

A-100624\_EN

Edition date: 02-06-2020

# Bluetooth Reader Family

Smart Access for Everyone Everywhere



## Features & Benefits:

### ✓ UNIQUE USER EXPERIENCE

Vanderbilt's Bluetooth readers offer four innovative identification modes for intuitive, smooth, and easy management of your access:



#### Show-to-Go Mode

By placing your smartphone in front of the reader



#### Shake-to-Go Mode

By waving the smart front in front of the reader.



#### Manual Button Mode

By tapping the button on your smartphone app.



#### Hands-free Mode

By passing in front of the reader without presenting the smartphone.

### ✓ SMOOTH MIGRATION

Reduce the total cost of ownership by extending the life of existing system controller and hardware, while allowing a smooth migration to mobile credentials.

### ✓ EASY MANAGEMENT

Creating, deploying, and managing access rights can be carried out by the administrator directly in VCredential for easy management.

### ✓ SAVE TIME & MONEY

Mobile credentials are time and cost-effective alternatives to managing physical credentials.



## Benefits:

- Wiegand & OSDP reader interface
- Free mobile apps for Android™ and iOS™
- Data encryption with 128-bit AES encryption and randomization
- Virtual credential available via perpetual VCredential license
- Compatible with MIFARE Classic, MIFARE DESFire EV1, EV2
- Tamper protection

**VANDERBILT**

A-100624\_EN

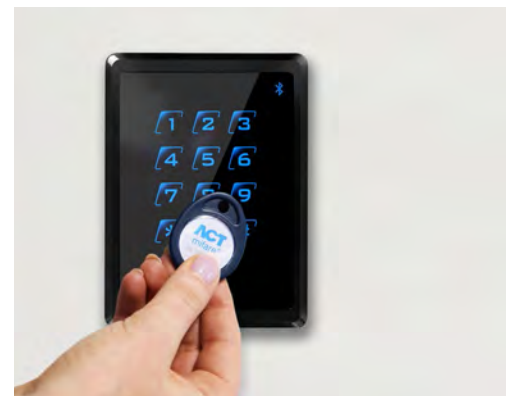
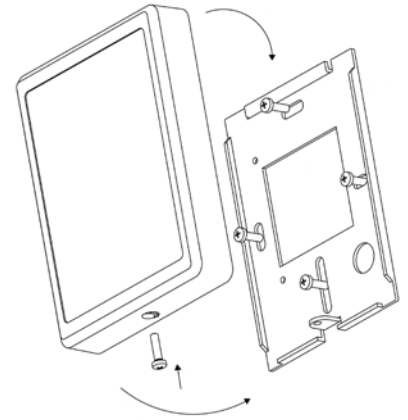
Edition date: 02-06-2020

# Bluetooth Reader Family

Smart Access for Everyone Everywhere

## Technical data

Bluetooth Readers	
Operating frequency	13.56 MHz, ISO14443 types A & B, 2.4 GHz Bluetooth® (Low Energy)
Communication interface	Wiegand RS485
Card compatibility	MIFARE Ultralight®, MIFARE® Classic, MIFARE Plus®, MIFARE® DESFire® EV1, EV2
Functions	CSN or private ID (sector/file)
Reading distance RFID	read UID/private ID: 3-5cm read UID/private ID: 1.5cm-4cm
Reading distance Bluetooth®	Show-to-Go: 15-30cm (adjustable) Shake-to-Go: Up to 5m (adjustable)
Indicator	3 RGB LEDs Internal buzzer
Keypad	Capacitive touch keypad
Connections	3m pigtail
Tamper switch	Hall effect switch
Housing Protection (EN61086)	IP65 level – water-resistant with waterproof electronics
Housing Material	PC, ABS
Power consumption	160mA (max.)
Power supply	9VDC to 15VDC
Max. cable length	150m
Dimensions	115.5mm x 84.5mm x 20.5mm
Operating temperatures	- 30°C to + 70°C
Approval	Bluetooth SIG, CE, RoHS, REACH and FCC



**VANDERBILT**

A-100624\_EN

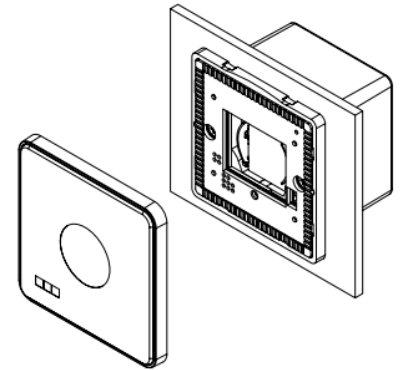
Edition date: 02-06-2020

# Bluetooth Reader Family

Smart Access for Everyone Everywhere

## Technical data:

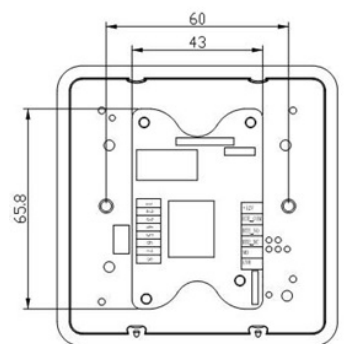
Door Exit Button	
Request to exit <ul style="list-style-type: none"> <li>• Indication</li> <li>• Output</li> </ul>	Color changes from blue to green Dry contact output
Relay	NC/NO jumper selectable rated @ 30Vdc; 1A
Audio Indicator	Internal buzzer
Output timer	1 – 15 seconds
Trigger Distance	2cm or 5cm (via DIP switch)
Mechanical Override	Yes (in case of power failure)
Housing Material	PC, ABS
Power consumption	150mA (max. @ 12VDC)
Power supply	12VDC to 24VDC
Operating temperatures	- 20°C to + 60°C
Operating humidity	10% - 90%
Dimensions	92mm x 92mm x 8.5mm



## Ordering Information:

Type	Art. No.	Description	Weight*
BLUE-A	N54504-Z160-A100	BLUE-A Bluetooth Reader, Wiegand	0.293kg
BLUE-B	N54504-Z161-A100	BLUE-B Bluetooth Reader, Wiegand, Keypad	0.292kg
BLUE-C	N54504-Z162-A100	BLUE-C Bluetooth Reader, OSDP	0.293kg
BLUE-D	N54504-Z163-A100	BLUE-D Bluetooth Reader, OSDP, Keypad	0.292kg
BLUE-EX	N54504-Z164-A100	BLUE-EX Door Exit Button	0.208kg
BLUE-L	P54508-P128-A100	BLUE-L Bluetooth Mobile Credential (1pc)	-

\*Total weight of the product inclusive of the weight of its accessories and packaging.



an **ACRE**  
brand

[vanderbiltindustries.com](http://vanderbiltindustries.com)

@VanderbiltInd

Vanderbilt Industries

**Vanderbilt International Ltd.**

Clonshaugh Business and Technology Park

Clonshaugh, Dublin D17 KV 84, Ireland

+353 1 437 2560