

## DS-K2811 Access Controller



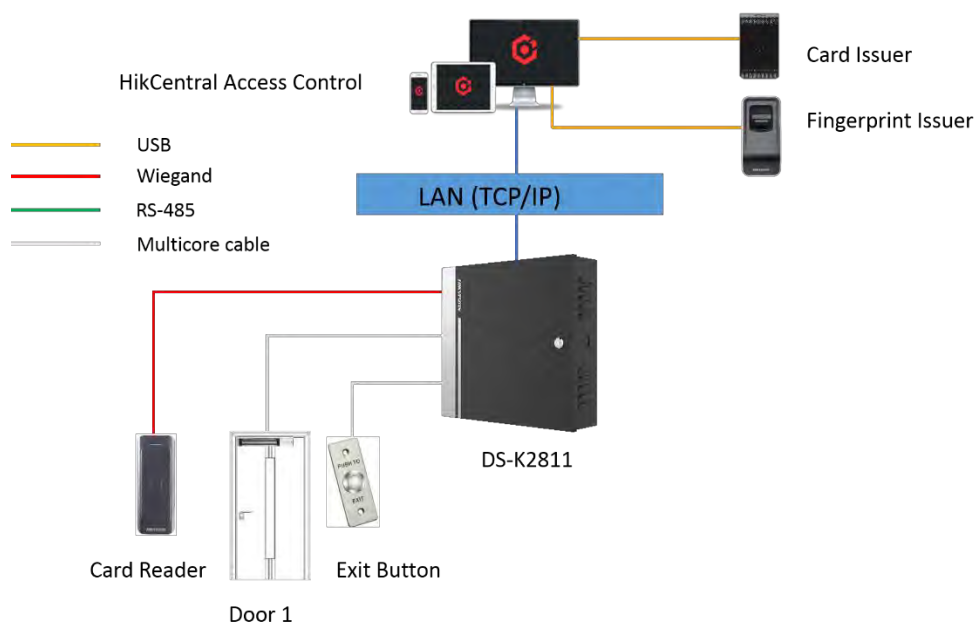
DS-K2811 access controller is designed with latest structure with TCP/IP communication interface. The communication data is encrypted to improve the security of system. The controller also supports offline operation and is designed with tamper-proof switch.

- Supports one door access control
- Supports anti-passback function, multi-card function, first person function, super card and super password function
- Supports alarm event upload
- Supports RS-485 interface and Wiegand interface for accessing card reader. Wiegand interface supports W26/W34 and is seamlessly compatible with third-party card reader with Wiegand interface
- Supports standby battery
- Data can be saved when the access controller is powered off

## ▪ Specification

Network	
Wired network	10 M/100 M self adaptive
Interface	
Network interface	1
Lock control	1
Exit button	1
Door contact input	1
Alarm input	5
Alarm output	4
TAMPER	1
RS-485	1
Wiegand	2, Wiegand 26/34
Capacity	
Card capacity	10,000
Event capacity	50,000
Function	
Anti-passback	Support
General	
Power supply	100 to 240 VAC
Battery	Backup battery connection available
Power consumption	With load: ≤ 100 w Without load: ≤ 4 w
Working temperature	-20 °C to 65 °C (-4 °F to 149 °F)
Working humidity	10% to 90% (no condensing)
Dimensions	370 mm × 345 mm × 90 mm (14.6" × 13.6" × 3.5")

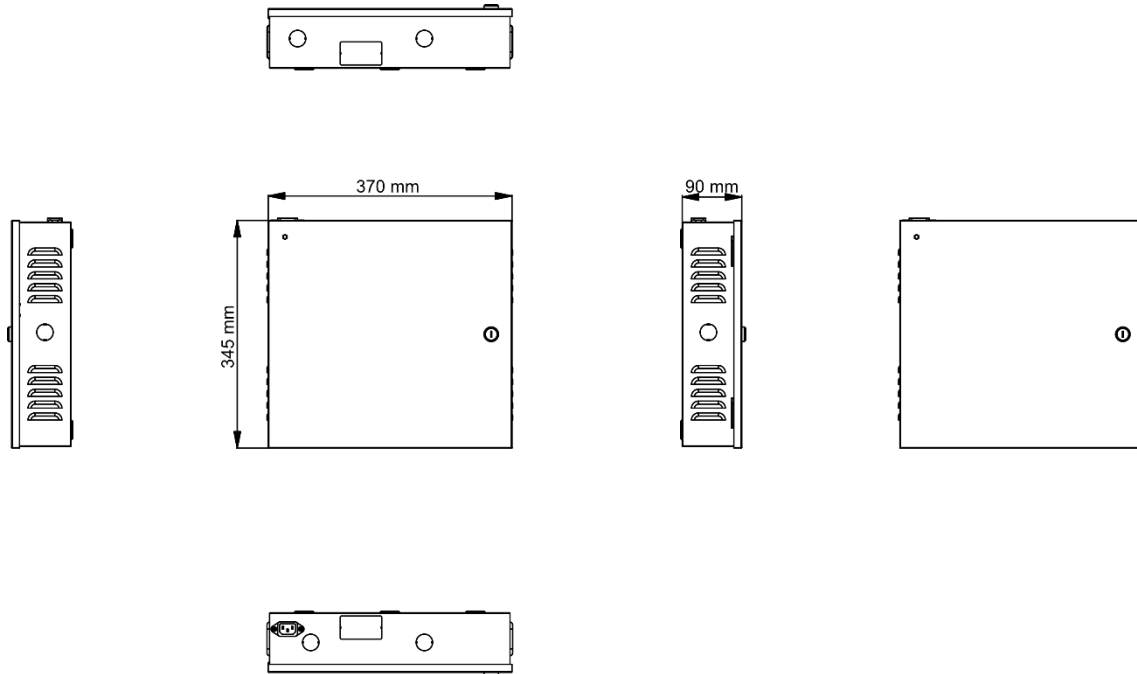
## ▪ Typical Application



## ▪ Available Model

DS-K2811

## Dimension



### Headquarters

No.555 Qianmo Road, Binjiang District,  
Hangzhou 310051, China  
T +86-571-8807-5998  
www.hikvision.com



Follow us on social media to get the latest product and solution information.

