

## DS-KH9310-WTE1(B) Video Intercom Network Indoor Station



The KH9 series IP indoor station, with 7-inch touch screen and Android system, brings you a fluent video and audio communication. You can install the third-party application in the device according to your actual need. Hikvision's Hik-Connect app is also pre-installed in the device, which helps you to manage Hikvision's device integratedly, without system switching.

- 7-inch colorful touch screen with 1024 × 600 resolution
- Built-in Android System
- Supports Android APP installation
- Support for three-party software integration
- Built-in Hik-Connect APP
- For all-in-one management of Hikvision's devices on tablet

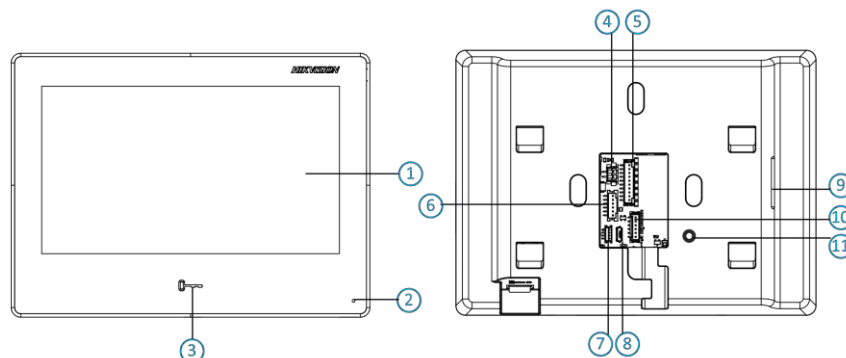
## ▪ Specification

System parameters	
Operation system	Android 10.1
ROM	8 GB
RAM	2 GB
Processor	Embedded high performance processor
Display parameters	
Screen size	7-inch
Operation method	Capacitive touch screen
Type	Colorful TFT
Resolution	1024 × 600
Video parameters	
Lens	/
Resolution	/
FOV	/
Wide dynamic range (WDR)	/
Video compression standard	/
Focal length	/
Audio parameters	
Audio input	1 built-in omnidirectional microphone
Audio compression standard	G.711U, G.711A
Audio output	1 built-in loudspeaker
Audio compression bitrate	64 Kbps
Audio quality	Noise suppression and echo cancellation
Volume adjustment	Adjustable
Capacity	
Message capacity	200 captured pictures, 200 alarm records
Notice capacity	200
Linked indoor extensions capacity	16
Linked network camera capacity	16
Linked doorphone capacity	17
Network parameters	
Network protocol	TCP/IP, SIP, RTSP
Wi-Fi	2.4 GHz, IEEE802.11b, IEEE802.11g, IEEE802.11n
Bluetooth	/
3G/4G	/
Zigbee	/
Device interfaces	
Alarm input	8
Network interface	1 RJ-45 10/100 Mbps self-adaptive
TAMPER	/
RS-485	1 RS-485 (Half duplex)
TF card	Support TF card, up to 128 G

Alarm output	1
Lock control	1 relay, Max. 30 VDC 0.3 A, and 1 high/low level relay (3.3 V/0V)
<b>General</b>	
Button	/
Installation	Surface mounting
Indicator	/
Weight	Net weight: 419.3 g Gross weight: 694 g
Protective level	/
Working temperature	-10 °C to 50 °C (14 °F to 122 °F)
Working humidity	10% to 90% (no-condensing)
Dimension (W × H × D)	187 mm × 137 mm × 25.7 mm (7.36" × 5.39" × 1.01")
Battery	/
Power supply	12 VDC, 1 A, IEEE802.3af, standard PoE
Application environment	Indoor
Power consumption	≤ 12 W
Language	English, Russian, Estonian, Bulgaria, Hungarian, Greek, German, Italian, Czech, Slovak, France, Polish, Dutch, Portuguese, Spanish, Romanian, Danish, Swedish, Norwegian, Finnish, Croatian, Slovenian, Serbian, Turkish, Traditional Chinese, Vietnamese, Hebrew, Latvian, Lithuanian, Brazilian Portuguese, Arabic, Ukrainian, Mongolian

## ▪ Physical Interface

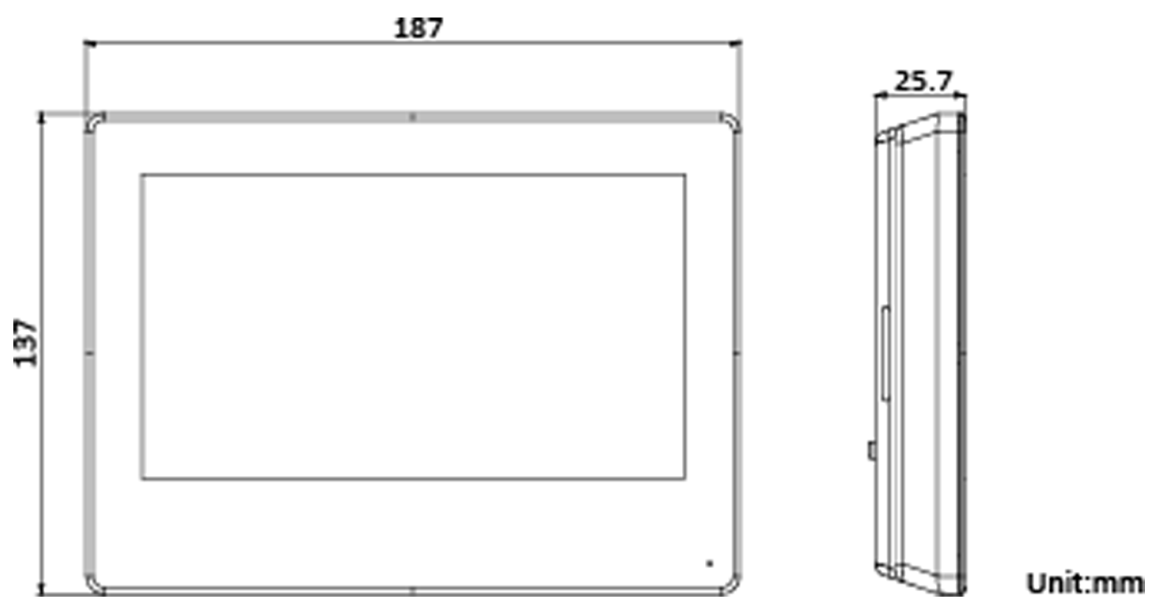
No.	Description	No.	Description
1	Screen	7	Debugging Port
2	Microphone	8	microUSB Interface
3	Unlock Button	9	Loudspeaker
4	Power Supply Interface	10	Reserved
5	Alarm Terminals	11	TAMPER
6	RS-485/Relay Interface	12	Network Interface



## ▪ Available Model




DS-KH9310-WTE1(B)

▪ Dimension



▪ Accessory

▪ Optional

DS-KAW50-1	DS-KAW50-1N	DS-KABH9510-T
		

**Headquarters**

No.555 Qianmo Road, Binjiang District,  
Hangzhou 310051, China  
T +86-571-8807-5998  
www.hikvision.com



Follow us on social media to get the latest product and solution information.

