

## DS-K1T341A-S Series Face Recognition Terminal

DS-K1T341A-S series face recognition terminal adopts deep learning algorithm, which helps to recognize the face faster with higher accuracy. It supports multiple authentication modes: face/card/fingerprint authentication, and can support smart card which uses DS-K1F600-D6-S series to do the enrollment. It can be applied in multiple scenarios, such as buildings, enterprises, financial industries, and other important areas.



### Available Model

- DS-K1T341AM-S
- DS-K1T341AMF-S

### Features

- 4.3-inch touch screen 720p wide-angle dual-lens
- Face anti-spoofing
- Face recognition distance: 0.3 m to 1.5 m
- Deep learning algorithm
- 1500 face capacity, 1,500 card capacity, 1,500 fingerprint capacity (should be supported by device model) and 150,000 event capacity
- Face recognition duration < 0.2 s/User; face recognition accuracy rate ≥ 99%
- Capture linkage and captured pictures storage
- Transmits card and user data from or to the client software via TCP/IP protocol and saves the data on the client software
- Imports pictures from the USB flash drive to the device or export pictures, events, from the device to the USB flash drive
- Stand-alone operation
- Supports smart card
- Manage, search and set device data after logging in the device locally
- Connects to one external card reader via RS-485 protocol
- Connects to secure door control unit via RS-485 protocol to avoid the door opening when the terminal is destroyed
- Connects to external access controller or Wiegand card reader via Wiegand protocol
- Two-way audio with indoor station and master station
- Supports 6 attendance status, including check in, check out, break in, break out, overtime in, overtime out
- Configuration via the web client
- Remotely opens door and starts live view via Hik-Connect



- Supports ISAPI and EHome 5.0 protocols



\* Biometric recognition products are not 100% applicable to anti-spoofing environments. If you require a higher security level, use multiple authentication modes.

## Specifications

Model	DS-K1T341AM-S		DS-K1T341AMF-S		
System	Operation system	Linux			
	Size	4.3-inch			
Screen	Resolution	800 × 480			
	Operation method	Capacitive touch screen			
	Resolution	720p			
Camera	WDR	Support			
	Lens	× 2			
	Video standard	PAL (Default) and NTSC			
	Audio input	Built-in omnidirectional microphone			
Audio	Audio output	Built-in loudspeaker			
	Volume adjustment	Adjust via device or client			
	Wired network	10 M/100 M/1000 M self-adaptive			
Network	Communication protocol	EHome 5.0			
	Network interface	× 1, RJ45			
	RS-485	× 1			
	Wiegand	Wiegand 26 and Wiegand 34			
Interface	Lock output	× 1			
	Exit button	× 1			
	Door contact input	× 1			
	Power interface	× 1			
	TAMPER	× 1			
	USB	× 1, USB2.0			
	Card capacity	1500			
	Face capacity	1500			
Capacity	Fingerprint capacity	/	1500		
	Event capacity	150,000			
Authentication	Card type	Mifare 1; Smart card			
	Card reading distance	0 to 3 cm			
	Card reading duration	< 1 s			
	Face recognition duration	< 0.2 s			
	Face recognition distance	0.3 to 1.5 m			
	Fingerprint Recognition duration	/	< 1 s		
	Function	Face anti-spoofing	Support		

Others	Live view	Supports live view on the platform, H.264
	Face recognition	Supports face recognition in low illumination
	Access control management	Supports multiple authentication methods
	power supply	12 VDC, 2 A
	Working temperature	-30 °C to 60 °C (-22 °F to 140 °F)
	Working humidity	0 to 90% (No condensing)
	Protective level	IP65

\* Exposing the equipment to direct sun light, low ventilation or heat source such as heater or radiator is forbidden (ignorance can cause fire danger).

## Dimensions

Figure 1. Dimension with Fingerprint Module

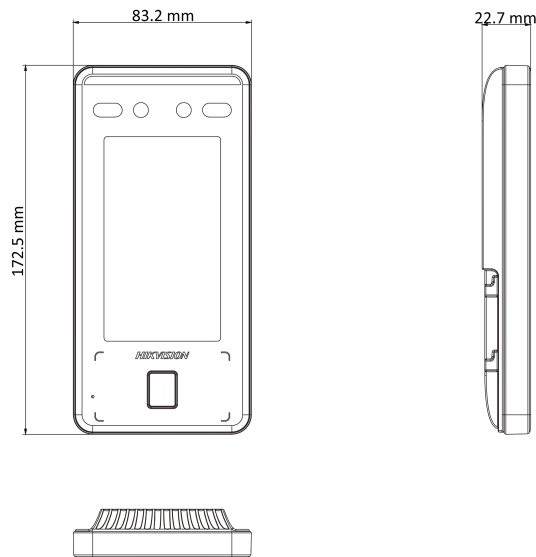
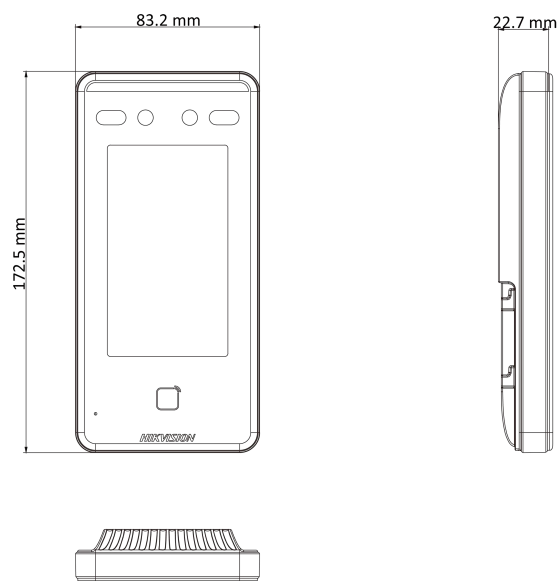


Figure 2. Dimension without Fingerprint Module



Distributed by

**HIKVISION®****Headquarters**

No.555 Qianmo Road, Binjiang District,  
Hangzhou 310051, China  
T +86-571-8807-5998  
overseasbusiness@hikvision.com

**Hikvision USA**  
T +1-909-895-0400  
sales.usa@hikvision.com

**Hikvision Australia**  
T +61-2-8599-4233  
salesau@hikvision.com

**Hikvision India**  
T +91-22-28469900  
sales@pramahikvision.com

**Hikvision Canada**  
T +1-866-200-6690  
sales.canada@hikvision.com

**Hikvision Thailand**  
T +662-275-9949  
sales.thailand@hikvision.com

**Hikvision Europe**  
T +31-23-5542770  
sales.eu@hikvision.com

**Hikvision Italy**  
T +39-0438-6902  
info.it@hikvision.com

**Hikvision Brazil**  
T +55 11 3318-0050  
Latam.support@hikvision.com

**Hikvision Turkey**  
T +90 (216)521 7070- 7074  
sales.tr@hikvision.com

**Hikvision Malaysia**  
T +601-7652-2413  
sales.my@hikvision.com

**Hikvision UK & Ireland**  
T +01628-902140  
sales.uk@hikvision.com

**Hikvision South Africa**  
Tel: +27 (10) 0351172  
sale.africa@hikvision.com

**Hikvision France**  
T +33(0)1-85-330-460  
info.fr@hikvision.com

**Hikvision Kazakhstan**  
T +7-727-9730667  
nikia.panfilov@hikvision.ru

**Hikvision Vietnam**  
T +84-974270888  
sales.vt@hikvision.com

**Hikvision UAE**  
T +971-4-4432090  
salesme@hikvision.com

**Hikvision Singapore**  
T +65-6684-4718  
sg@hikvision.com

**Hikvision Spain**  
T +34-91-737-16-55  
info.es@hikvision.com

**Hikvision Tashkent**  
T +99-87-1238-9438  
uzb@hikvision.ru

**Hikvision Hong Kong**  
T +852-2151-1761  
info.hk@hikvision.com

**Hikvision Russia**  
T +7-485-669-67-99  
saleru@hikvision.com

**Hikvision Korea**  
T +82-(0)31-731-8817  
sales.korea@hikvision.com

**Hikvision Poland**  
T +48-22-460-01-50  
info.pl@hikvision.com

**Hikvision Indonesia**  
T +62-21-2933759  
Sales.Indonesia@hikvision.com

**Hikvision Colombia**  
sales.colombia@hikvision.com