

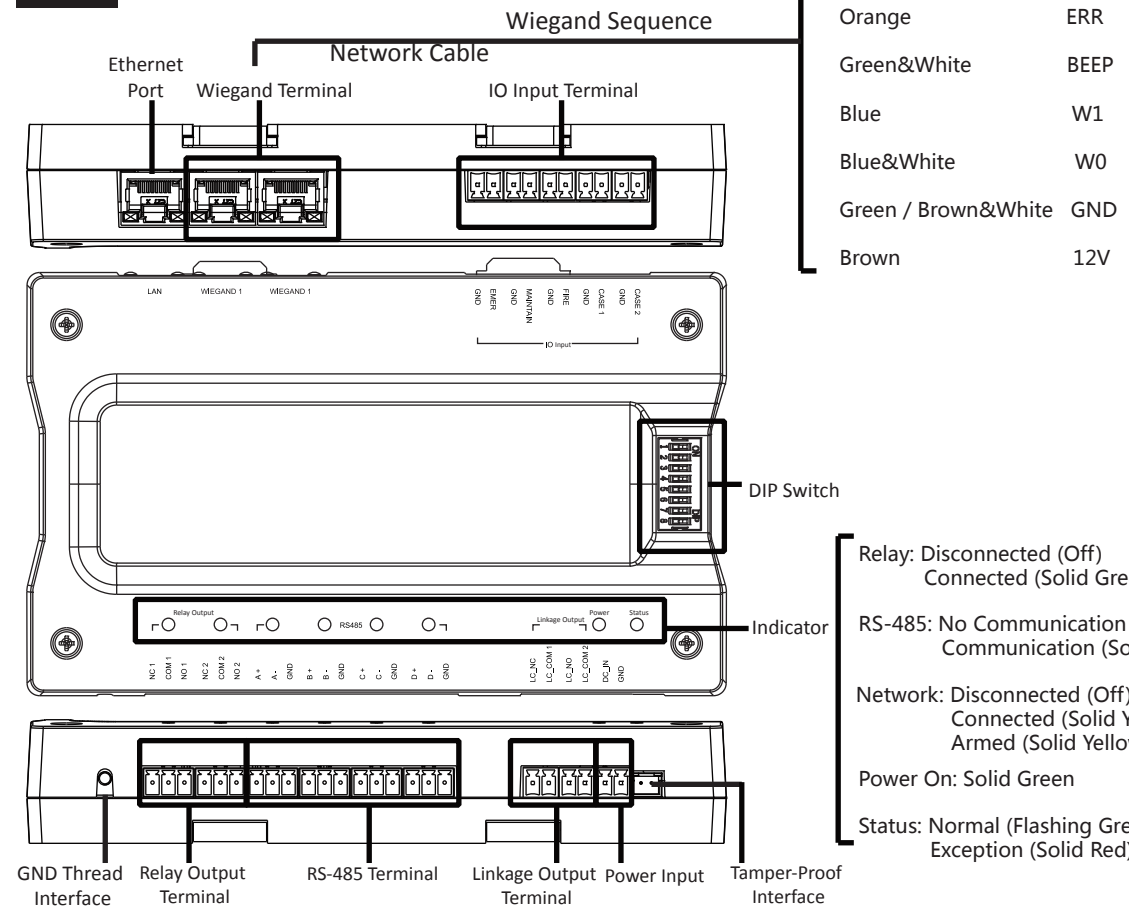


## Master Elevator Controller

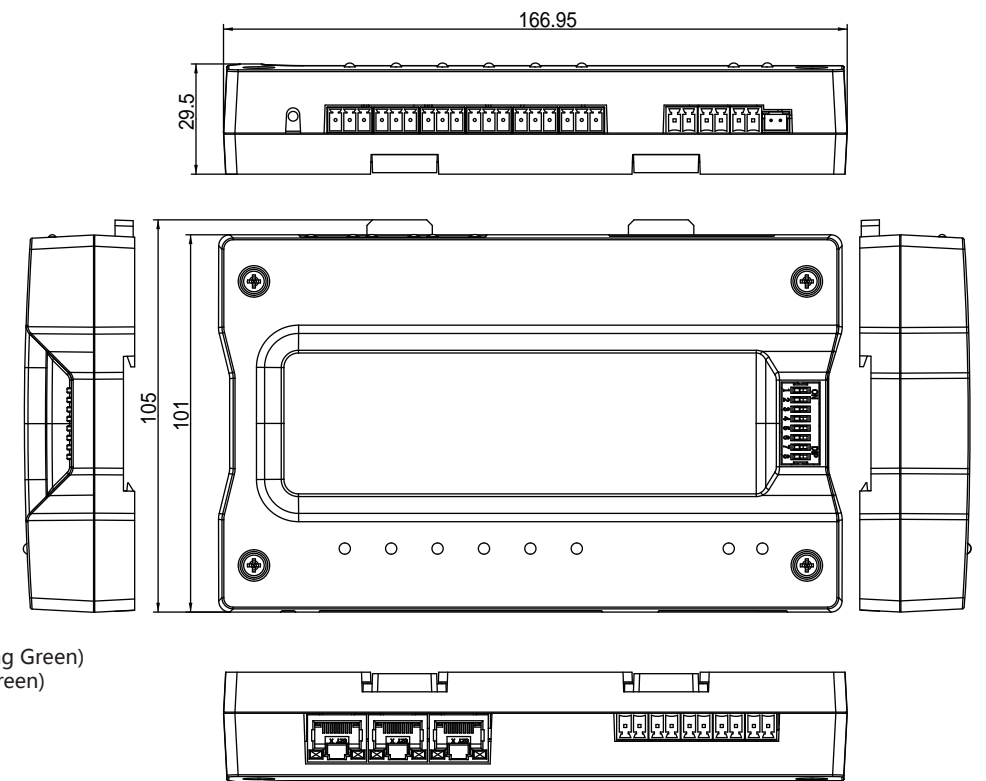
### Quick Start Guide

UD03825B

# 1 Appearance



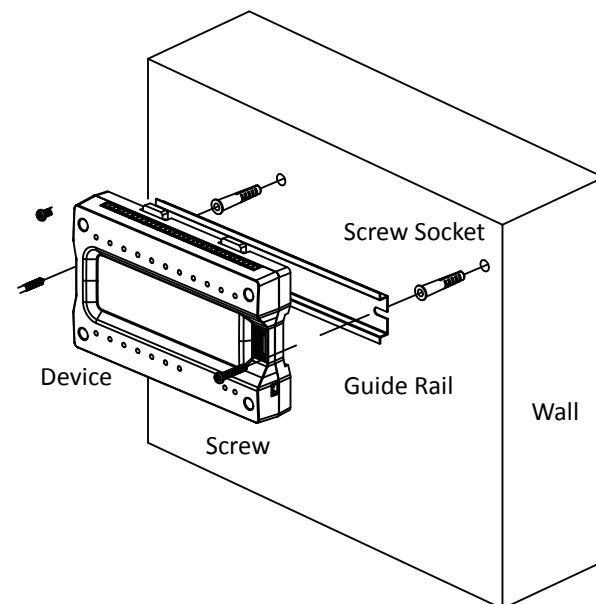
# Dimensions (mm)



# 2 Installation

### Before you start:

- The minimum bearing weight of the wall or other places should be three times heavier than the device weight.
- Dial-up before you install.



### Steps:

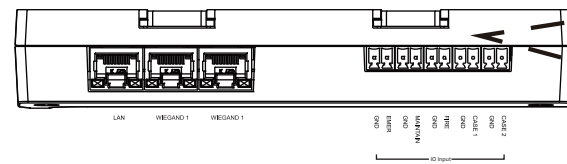
1. Drill holes on the wall or other places according to the holes on the guide rail.
2. Insert the screw sockets of the set screws (supplied) in the drilled holes.
3. Secure the guide rail on the wall or other places with the screws (supplied).
4. Push the device to the guide rail and fix it.

©2016 Hangzhou Hikvision Digital Technology Co., Ltd.  
It includes instructions on how to use the Product. The software embodied in the Product is governed by the user license agreement covering that Product.  
About this Manual  
This Manual is subject to domestic and international copyright protection. Hangzhou Hikvision Digital Technology Co., Ltd. ("Hikvision") reserves all rights to this manual. This manual cannot be reproduced, changed, translated, or distributed, partially or wholly, by any means, without the prior written permission of Hikvision.

Trademarks  
**HIKVISION** and other Hikvision marks are the property of Hikvision and are registered trademarks or the subject of applications for the same by Hikvision and/or its affiliates. Other trademarks mentioned in this manual are the properties of their respective owners. No right of license is given to use such trademarks without express permission.

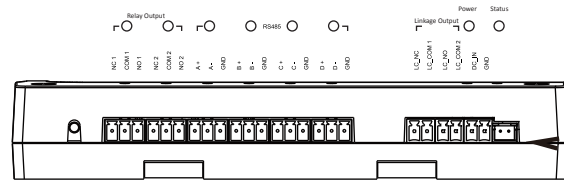
Legal Disclaimer  
TO THE MAXIMUM EXTENT PERMITTED BY APPLICABLE LAW, THE PRODUCT DESCRIBED, WITH ITS HARDWARE, SOFTWARE AND FIRMWARE, IS PROVIDED "AS IS", WITH ALL FAULTS AND ERRORS, AND HIKVISION MAKES NO WARRANTIES, EXPRESS OR IMPLIED, INCLUDING WITHOUT LIMITATION, MERCHANTABILITY, SATISFACTORY QUALITY, FITNESS FOR A PARTICULAR PURPOSE, AND NON-INFRINGEMENT OF THIRD PARTY. IN NO EVENT WILL HIKVISION, ITS DIRECTORS, OFFICERS, EMPLOYEES, OR AGENTS BE LIABLE TO YOU FOR ANY SPECIAL, CONSEQUENTIAL, INCIDENTAL, OR INDIRECT DAMAGES, INCLUDING, AMONG OTHERS, DAMAGES FOR LOSS OF BUSINESS PROFITS, BUSINESS INTERRUPTION, OR LOSS OF DATA OR DOCUMENTATION, IN CONNECTION WITH THE USE OF THIS PRODUCT, EVEN IF HIKVISION HAS BEEN ADVISED OF THE POSSIBILITY OF SUCH DAMAGES.  
REGARDING TO THE PRODUCT WITH INTERNET ACCESS, THE USE OF PRODUCT SHALL BE WHOLLY AT YOUR OWN RISKS. HIKVISION SHALL NOT TAKE ANY RESPONSIBILITIES FOR ABNORMAL OPERATION, PRIVACY LEAKAGE OR OTHER DAMAGES RESULTING FROM CYBER ATTACK, HACKER ATTACK, VIRUS INSPECTION, OR OTHER INTERNET SECURITY RISKS; HOWEVER, HIKVISION WILL PROVIDE TIMELY TECHNICAL SUPPORT IF REQUIRED.  
SURVEILLANCE LAWS VARY BY JURISDICTION. PLEASE CHECK ALL RELEVANT LAWS IN YOUR JURISDICTION BEFORE USING THIS PRODUCT IN ORDER TO ENSURE THAT YOUR USE CONFORMS THE APPLICABLE LAW. HIKVISION SHALL NOT BE LIABLE IN THE EVENT THAT THIS PRODUCT IS USED WITH ILLEGITIMATE PURPOSES.  
IN THE EVENT OF ANY CONFLICTS BETWEEN THIS MANUAL AND THE APPLICABLE LAW, THE LATER PREVAILS.

# 3 Device Wiring

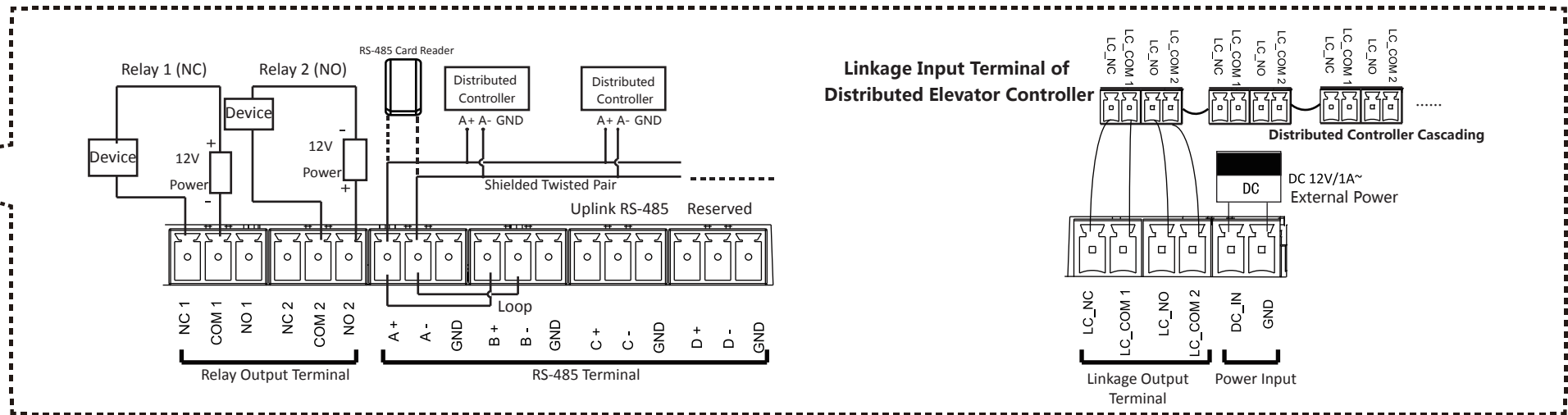
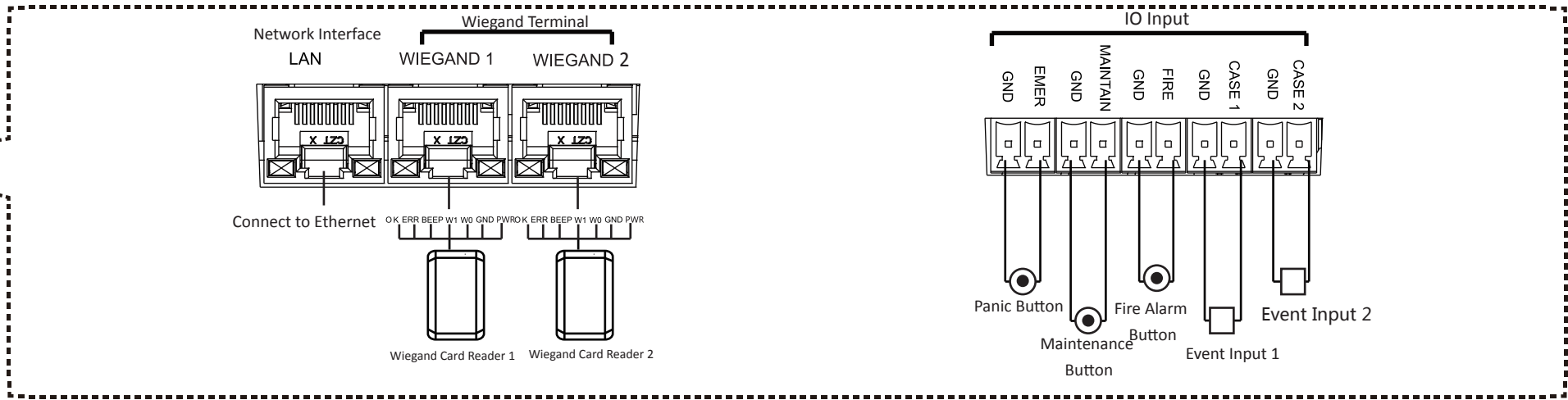


When the panic button is triggered, all relays keep connected. It is valid for all floors.  
 When the fire alarm button is triggered, all relays keep disconnected. It is invalid for all floors.  
 When the maintenance button is triggered, all relays keep disconnected. It is invalid for all floors.

When the panic button, the maintenance button, fire alarm button, and the event alarm are triggered, the master elevator controller will control the distributed controller via the linkage output to perform the linked actions.



Each master elevator controller supports up to 24 distributed elevator controllers, including 8 call elevator distributed controllers, 8 auto button distributed controllers, and 8 button distributed controllers.



# 4 Activation

Activating via the Web Client, the SADP tool, and the client software are supported.

## ● Activating Device via Web Client

1. Input the device IP address in the address bar.  
For the first login, the web client will enter the activation interface.  
The device default IP address: 192.0.0.64
2. Input the user name and the password according to the tips in the interface.
3. Confirm the password.

## ● Activating Device via Client Software

1. Click Device Management icon to enter the Device Management interface.
2. Select an inactive device from the device list. Click Activate to pop up the Activation interface.
3. Create a password and confirm the new password. Click OK to start activate.
4. Click "Edit Network" to configure the device IP address, mask address, gateway address, port No.

IP	Device Type	Firmware Version	Security	Port	Start Time
xx.xx.xx.xx	xxxxxxxxxxxx	xxxxxxxxxxxx	Inactive	8000	xxxx-xx-xx xx:xx:xx
xx.xx.xx.xx	xxxxxxxxxxxx	xxxxxxxxxxxx	Active	8000	xxxx-xx-xx xx:xx:xx

**Activation**

Password:

Valid password range [8-16]. You can use a combination of numbers, lowercase, uppercase and special character for your password with at least two kinds of them contained.

Confirm Password:

## ● Activating Device via SADP Tool

1. Download SADP Software:  
Get the SADP software from the supplied disk or the official website. Install and run the software.
2. Activate Device:  
Check the inactive device from the device list. Create a password in the right side of the interface and confirm the password.
3. Edit Device IP Address:  
Check the device and manually edit the device IP address, Port No., Subnet Mask, Gateway, etc.

Total number of online devices: 3

ID	Device Type	Security	IPv4 Address	Port	Software Version	IPv4 Gateway	HTTP Port	Device Serial No.
001	xxxxxxxxxxxx	Active	xx.xx.xx.xx	xx	xxxxxxxxxxxx	xx.xx.xx.xx	xx	xxxxxxxxxxxx
002	xxxxxxxxxxxx	Active	xx.xx.xx.xx	xx	xxxxxxxxxxxx	xx.xx.xx.xx	xx	xxxxxxxxxxxx
003	xxxxxxxxxxxx	Inactive	xx.xx.xx.xx	xx	xxxxxxxxxxxx	xx.xx.xx.xx	xx	xxxxxxxxxxxx

Activate the Device

The device is not activated.

You can modify the network parameters after the device activation.

Activate Now

New Password:

Confirm Password:

Activate