

# SBS-165TM

Tilt Mount



FC | UL LISTED | CE | ENEC

## Key Features

- Material : Poly Carbonate
- Dimensions : 47.7(W)x29.8(D)x163.6(H)mm(1.88x1.17x6.44")
- Weight: 35g(0.07lb)

**Environmental**

<b>Operating Temperature / Humidity</b>	-30°C~+55°C(-22°F~+131°F) / 0~100% RH
---	---------------------------------------

<b>Storage Temperature / Humidity</b>	-30°C~+55°C(-22°F~+131°F) / 0~100% RH
---------------------------------------	---------------------------------------

**Mechanical**

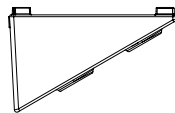
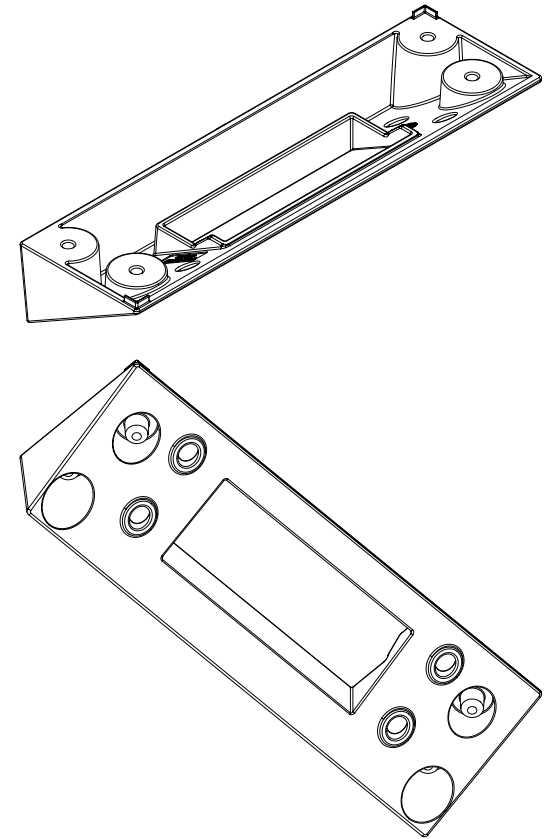
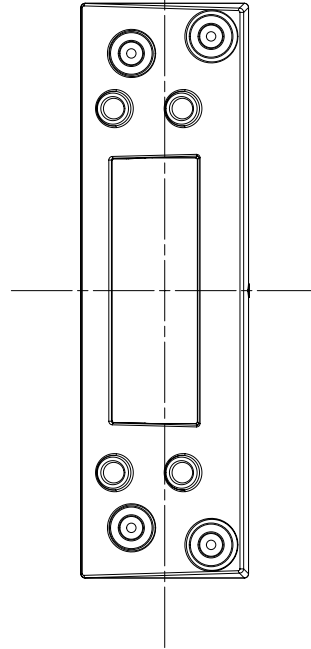
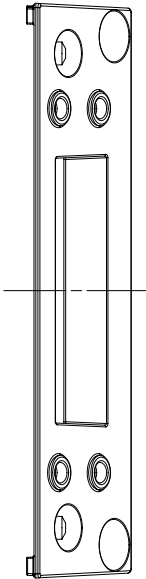
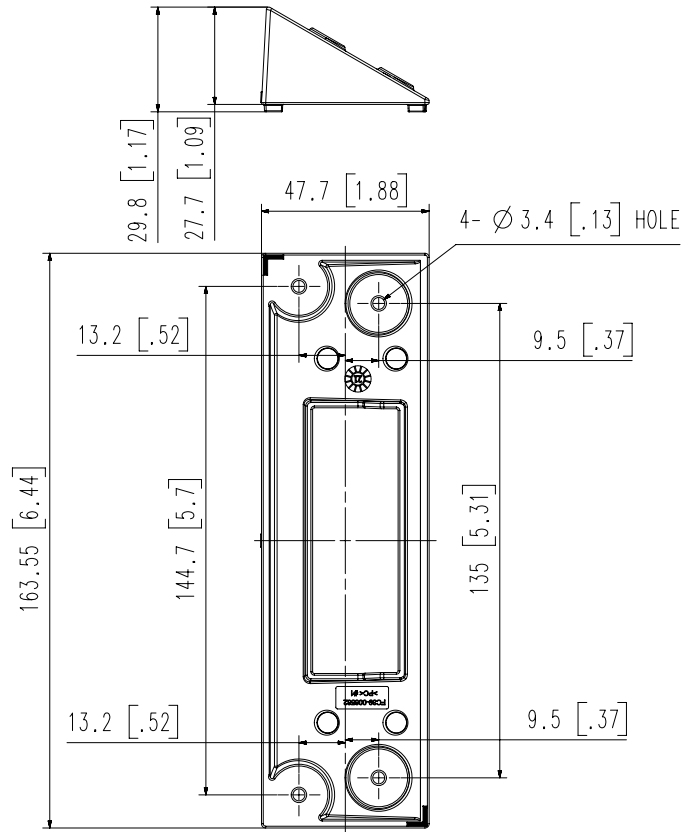
<b>Color</b>	Black
--------------	-------

<b>Material</b>	Poly Carbonate
-----------------	----------------

<b>Product dimensions / weight</b>	47.7(W)x29.8(D)x163.6(H)mm(1.88x1.17x6.44"), 35g(0.07lb)
------------------------------------	--

<b>Supported products</b>	TID-600R
---------------------------	----------

- The latest product information / specification can be found at [hanwha-security.com](http://hanwha-security.com)
- Design and specifications are subject to change without notice.
- Wisenet is the proprietary brand of Hanwha Techwin, formerly known as Samsung Techwin.



© Hanwha Techwin Co.,Ltd. All rights reserved.

3	파생 MODEL2	
2	파생 MODEL1	
1	SBS-165TM	21.08.06
No.	MODEL NAME	DATE
Unit:mm[inch] SCALE:1/1		© Hanwha Techwin