

DS-PDD12P-EG2



DS-PDD12-EG2 series of dual-tech detectors are equipped with K-Band 24GHz microwave and 3D fresnel lens technology. Non-interfering technology allowing back to back installation and no penetration through the wall. It allows the detector to be installed and setup quicker than traditional DT's giving time and cost saving advantages to the installer.

- Detection Range: 12m / 85.9°
- Up to 30kg pey immunity
- Automatic sensitivity
- Digital temperature compensation
- 52 zones of 3D optics including creep-zone protection, full coverage without dead angle
- selectable EOL resistors for alarm and tamper-proof wiring
- Sealed optics preventing insect interference
- 24Ghz microwave
- 9 to 16 V wide voltage adaptation with polarity reverse connection protection
- Wall/Ceiling-mounting brackets available (sold separately)
- IFT technology prevents false alarms

▪ Approval

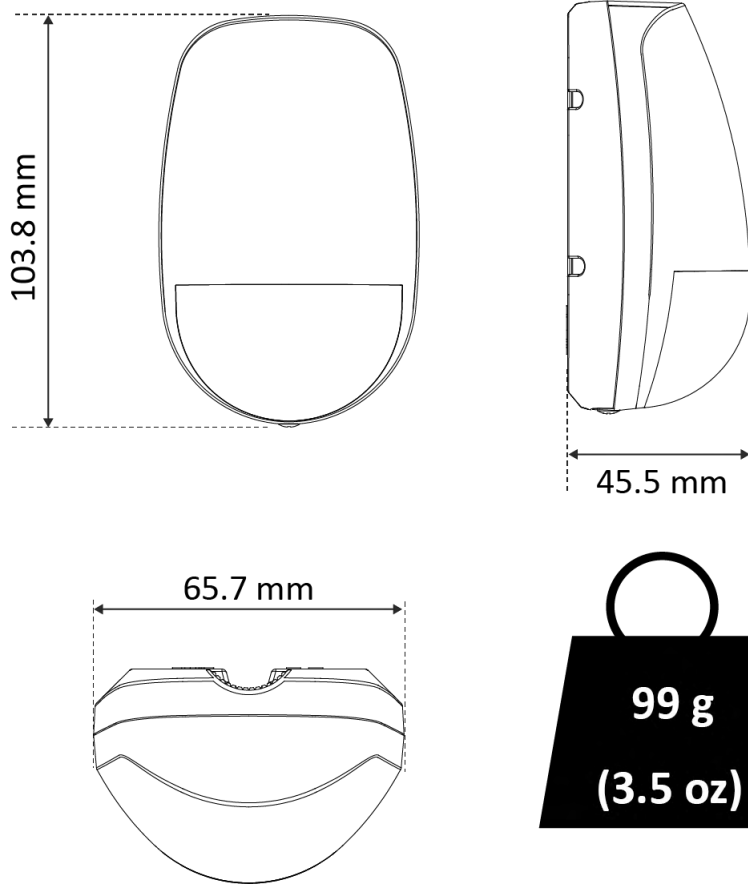
| EN Grade 2 |
|------------|
| CE |
| FCC |
| CB |
| CCC |
| IC |
| RCM |



▪ Specification

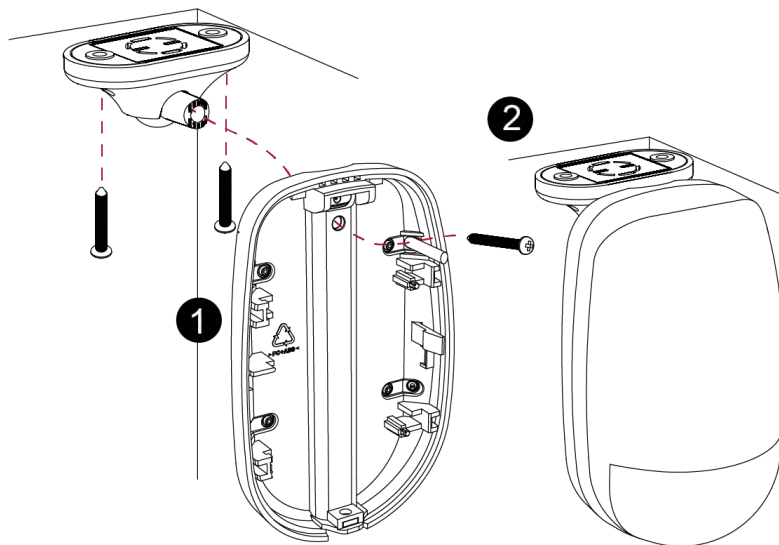
| Detection Performance | |
|-----------------------------------|---|
| Detection Method | Passive Infrared,Microwave |
| Detection Range | 12m |
| Detection Angle | 85.9° |
| Detection Zones | 52 |
| Detectable Speed | 0.3 ~ 2m/s |
| Sensitivity | Auto,Pet |
| Pet Immunity | 30Kg |
| White Light Filter | 6500lux |
| Microwave Frequency | 24GHz(24.15 ~ 24.25GHz) |
| Digital Temperature Compensation | Support |
| Creep Zone Protection | Support |
| Feature | |
| Digital Processing | Support |
| Sealed Optics | Support |
| Tamper Protection | Front |
| Interface | |
| Alarm Output | Normally Closed |
| LED Indicator | Green(PIR), Orange(Microwave), Blue(Alarm) |
| Transmission | |
| Transmission Method | Wired |
| Electrical Characteristics | |
| Power Supply | 9 to 16 VDC |
| Typical Voltage | 12 VDC |
| Power Consumption | 17mA Max |
| General | |
| Operation Temperature | -10 °C to 55 °C (14 °F to 131 °F) |
| Storage Temperature | -20 °C to 60 °C (-4 °F to 140 °F) |
| Operation Humidity | 10% to 90% |
| Dimension(WxHxD) | 65.7 mm (2.59 ") × 103.8 mm (4.09 ") × 45.5 mm (1.79 ") |
| Weight | 99g (3.5 oz) |
| Mounting Height | 1.8 m to 2.4 m |
| Mounting Method | Wall |
| Application Scenario | Indoor |
| Bracket | Optional wall & ceiling accessory |

▪ **Dimension**

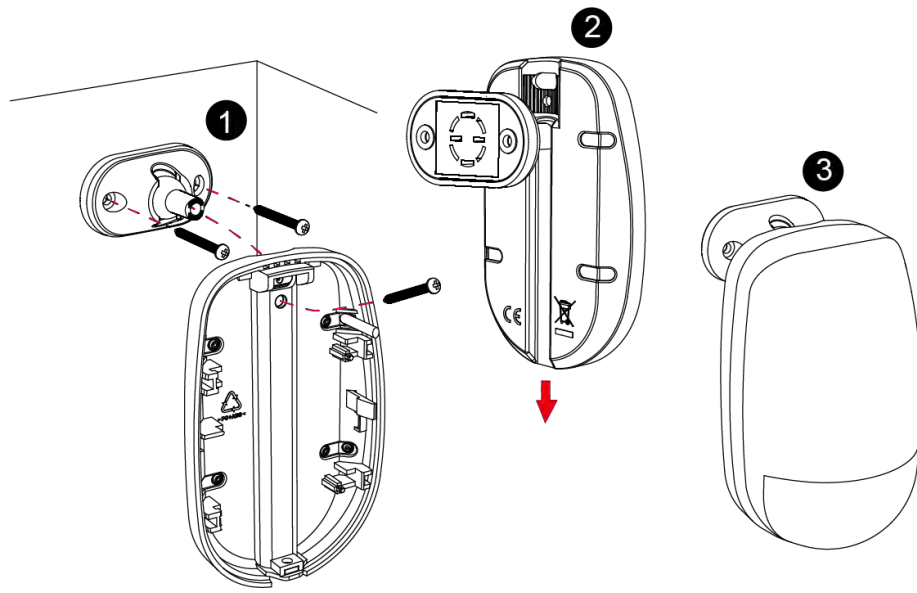


▪ **Installation**

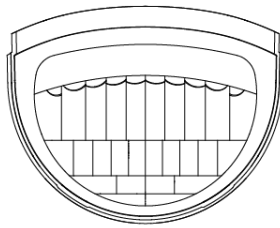
▪ **Ceiling Bracket Fitting**



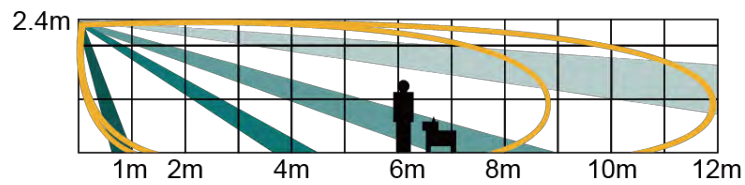
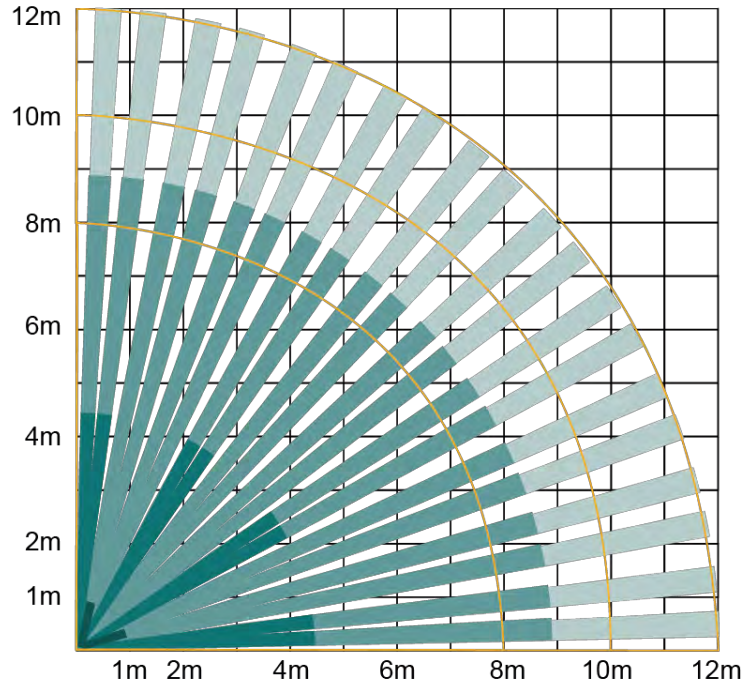
▪ Wall Bracket Fitting



▪ Detection Range



Detection Range
 85.9°
 52 zones
 4 planes



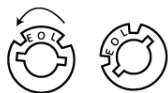
Microwave Range Control ———



Max: 11 to 12 m



Medium: 2 to 11 m



Min: 0 to 2 m

▪ **Accessory**

▪ **Optional**

| DS-PDB-IN-Wallbracket Internal ceiling mounted bracket | DS-PDB-IN-Ceilin gbracket Internal wall mounted bracket | DS-PDB-IN-Universalbracket Internal universal bracket |
|---|---|---|
|  |  |  |

▪ **Available Model**

DS-PDD12P-EG2

Distributed by



HIKVISION

Headquarters

No.555 Qianmo Road, Binjiang District,
Hangzhou 310051, China
T +86-571-8807-5998
overseasbusiness@hikvision.com

Hikvision USA
T +1-909-895-0400
sales.usa@hikvision.com

Hikvision Australia
T +61-2-8599-4233
salesau@hikvision.com

Hikvision India
T +91-22-28469900
sales@pramahikvision.com

Hikvision Canada
T +1-866-200-6690
sales.canada@hikvision.com

Hikvision Thailand
T +662-275-9949
sales.thailand@hikvision.com

Hikvision Europe
T +31-23-5542770
sales.eu@hikvision.com

Hikvision Italy
T +39-0438-6902
info.it@hikvision.com

Hikvision Brazil
T +55 11 3318-0050
Latam.support@hikvision.com

Hikvision Turkey
T +90 (216)521 7070- 7074
sales.tr@hikvision.com

Hikvision Malaysia
T +601-7652-2413
sales.my@hikvision.com

Hikvision UK & Ireland
T +01628-902140
sales.uk@hikvision.com

Hikvision South Africa
Tel: +27 (10) 0351172
sale.africa@hikvision.com

Hikvision France
T +33(0)1-85-330-450
info.fr@hikvision.com

Hikvision Kazakhstan
T +7-727-9730667
nikia.panfilov@hikvision.ru

Hikvision Vietnam
T +84-974270888
sales.vt@hikvision.com

Hikvision UAE
T +971-4-4432090
salesme@hikvision.com

Hikvision Singapore
T +65-6684-4718
sg@hikvision.com

Hikvision Spain
T +34-91-737-16-55
info.es@hikvision.com

Hikvision Tashkent
T +99-87-1238-9438
uzb@hikvision.ru

Hikvision Hong Kong
T +852-2151-1761
info.hk@hikvision.com

Hikvision Russia
T +7-495-669-67-99
saleru@hikvision.com

Hikvision Korea
T +82-(0)31-731-8817
sales.korea@hikvision.com

Hikvision Poland
T +48-22-460-01-50
info.pl@hikvision.com

Hikvision Indonesia
T +62-21-2933759
Sales.Indonesia@hikvision.com

Hikvision Colombia
sales.colombia@hikvision.com