

## DS-D2055LE-G LCD Display



The DS-D2055LE-G LCD display uses an industry-level extreme-narrow bezel design, which enables a bezel width of 1.8 mm between neighboring displays. The adopted direct-lit LED backlighting technology helps achieve ultra-high and uniform brightness of 500 cd/m<sup>2</sup> without boundary shadows. The display has abundant interfaces for video inputs, such as DVI, VGA, HDMI, and DP.

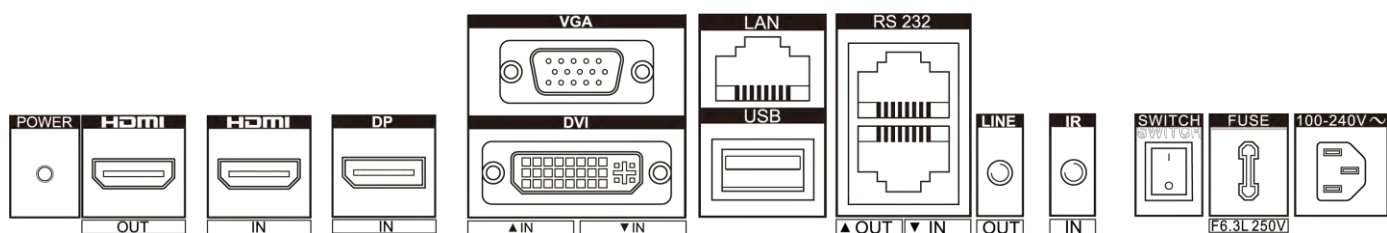
- 4K signal input, auto loop up to 30 screens with HDMI interfaces
- Switching between three picture modes: Monitoring, Meeting, and Movie
- Factory calibration for color and brightness uniformity
- Direct-lit LED backlight with uniform brightness and no boundary shadows
- 1920 × 1080 resolution, 178° viewing angle
- Extreme-narrow 1.8 mm bezel design
- Anti-glare, high definition, high brightness, high color gamut, and vivid images with rich colors
- Stable and 24-hour continuous working
- Metal casing for preventing from radiation and magnetic & electric field interference
- Wall-mount and modular brackets available to meet various installation requirements

## ▪ Specification

|                            | Model                         | DS-D2055LE-G   |
|----------------------------|-------------------------------|--|
| <b>Display</b>             | Screen Size                   | 55 inch  |
|                            | Active Display Area           | 1209.6 (H) mm × 680.4 (V) mm   |
|                            | Backlight                     | Direct-lit LED backlight   |
|                            | Pixel Pitch                   | 0.63 mm  |
|                            | Physical Seam                 | 1.8 mm   |
|                            | Bezel Width                   | 1.3 mm (top/left), 0.5 mm (bottom/right)   |
|                            | Resolution                    | 1920 × 1080@60 Hz (downward compatible)  |
|                            | Brightness                    | 500 cd/m <sup>2</sup>  |
|                            | Viewing Angle                 | Horizontal 178°, vertical 178°   |
|                            | Color Depth                   | 10 Bit, 1.07 B   |
|                            | Contrast Ratio                | 1000:1   |
|                            | Response Time                 | 8 ms   |
|                            | Color Gamut                   | 72% NTSC   |
|                            | Surface Treatment             | Haze 28%, 2H   |
| <b>Interface</b>           | Video & Audio Input           | VGA × 1, HDMI × 1, DVI × 1, DP × 1, USB × 1  |
|                            | Video & Audio Output          | HDMI × 1   |
|                            | Control Interface             | RS-232 IN × 1, RS-232 OUT × 1  |
| <b>Power</b>               | Power Supply                  | 100-240 VAC, 50/60 Hz  |
|                            | Power Consumption             | ≤ 245 W  |
|                            | Standby Consumption           | ≤ 0.5 W  |
| <b>Working Environment</b> | Working Temperature           | 0 °C to 40 °C (32 °F to 104 °F)  |
|                            | Working Humidity              | 10% to 80% RH (non-condensing)   |
|                            | Storage Temperature           | -20 °C to 60 °C (-4 °F to 140 °F)  |
|                            | Storage Humidity              | 10% to 90% RH (non-condensing)   |
| <b>General</b>             | Casing Material               | SGCC   |
|                            | VESA                          | 600 (H) mm × 400 (V) mm  |
|                            | Product Dimension (W × H × D) | 1212.21 (W) mm × 683.06 (H) mm × 69.3 (D) mm (47.72" × 26.89" × 2.73")   |
|                            | Package Dimension (W × H × D) | 1404 (W) mm × 910 (H) mm × 231 (D) mm (55.28" × 35.83" × 9.09")  |
|                            | Net Weight                    | 20.5 ± 0.5 kg (45.2 ± 1.1 lb) for single display   |
|                            | Gross Weight                  | 39.1 ± 0.5 kg (86.2 ± 1.1 lb) for carton with a single display   |
|                            | Packing List                  | Carton with a single display: LCD display × 1, power cable × 1, network cable × 1, 2-meter HDMI cable × 1, screw × 4, remote control × 1, IR receiver × 1, RS-232 converter × 1, quick start guide (multilingual) × 1, quick start guide (English) × 1 |

## Physical Interface

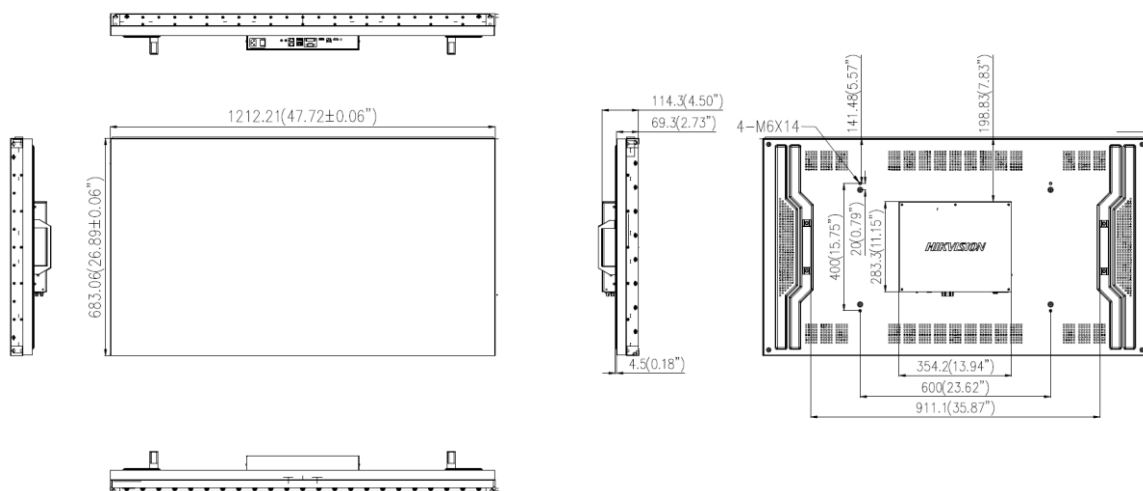
| Interface | Description                               | Interface  | Description                               |
|-----------|---|------------|---|
| POWER     | Power indicator                           | DVI IN     | DVI-I input interface for digital signals |
| LINE OUT  | Audio output interface for analog signals | RS 232 OUT | Serial loopback output interface          |
| HDMI OUT  | HDMI output interface for digital signals | RS 232 IN  | Serial input interface                    |
| HDMI IN   | HDMI input interface for digital signals  | USB        | USB interface                             |
| DP IN     | DP input interface for digital signals    | IR IN      | IR input interface                        |
| VGA IN    | VGA input interface for analog signals    | SWITCH     | Switch button                             |
| 100-240V~ | Power input                               |            |   |



## Available Model

DS-D2055LE-G

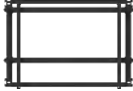



## Dimension



Unit: mm (inch)

▪ **Accessory**

▪ **Optional**

| DS-DN4655W/U<br>Wall-mounted Bracket  | DS-DN55E4M/F<br>Modular Bracket<br>(Frame)  | DS-DN55E4M/B<br>Modular Bracket (Base)  | DS-DN5501W<br>Wall-mounted Bracket  |
|---|---|---|---|
|  |  |  |  |

**Headquarters**

No.555 Qianmo Road, Binjiang District,  
Hangzhou 310051, China  
T +86-571-8807-5998  
www.hikvision.com



Follow us on social media to get the latest product and solution information.



Hikvision



HikvisionHQ



HikvisionHQ



Hikvision\_Global



Hikvision  
Corporate Channel



hikvisionhq