

DS-D6122TH-D/C DC Digital Signage



- 1920 × 1080P@60Hz full HD, 10-point capacitive touch, and 8-millisecond rapid response
- 27-millimeter-thick body with anti-glare toughened glass, preventing strong light interference and violent destruction
- Support IPX3 waterproof
- Built-in light sensor module helps automatically adjust screen brightness to match surrounding lighting conditions, displaying clear pictures with energy saved
- Built-in 13.56 MHz RFID card-swiping module with high response speed, compatible with the standard card of type A and B
- Control access control devices through Wiegand protocol, and door locks with relays
- Built-in 2 MP WDR camera captures clear images when facing against the light
- Built in Hikvision face comparison algorithm, supporting 10 people in the same screen, to solve the short-term attendance needs of multiple people

▪ Specification

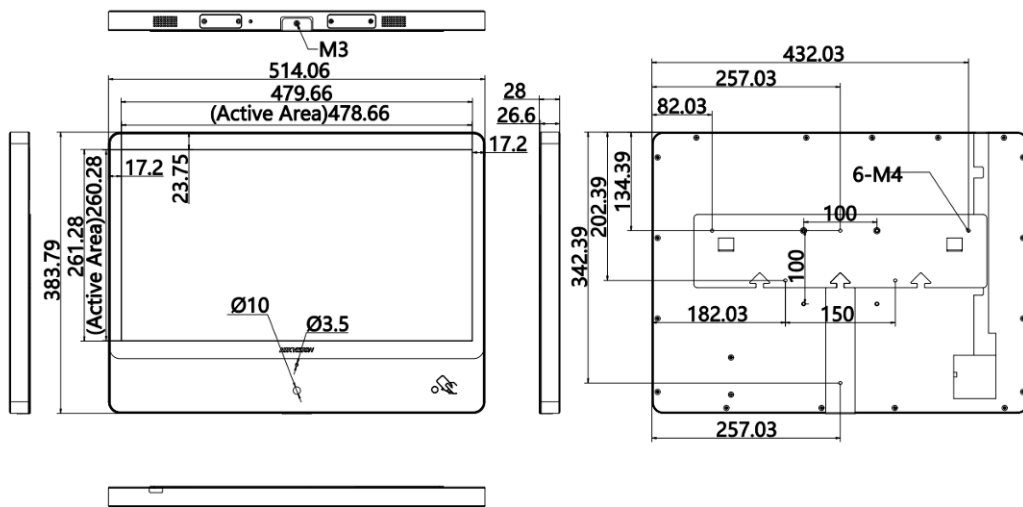
	Model	DS-D6122TH-D/C
Display	Viewing Angle	178° (H)/178° (V)
	Screen Size	21.5 inch
	Active Display Area	478.66 (H) mm × 260.28 (V) mm
	Backlight	ELED
	Pixel Pitch	0.241 (H) mm × 0.241 (V) mm
	Resolution	1920 × 1080
	Brightness	600 cd/m ²
	Color Depth	8 bit, 16.7 M
	Contrast Ratio	1000 : 1
	Response Time	8 ms
	Color Gamut	72% NTSC
	Reliability	7 × 16 h
Built-in System	Operation System	Android 12.0
	CPU	Cortex-A55, 4 Cores, 1.8 GHz
	Memory	2 GB
	Built-in Storage	16 GB EMMC
Smart	Lens	2 MP WDR Camera
	Face Database	50,000 pictures, JPG format allowed
	Face Detection Distance	Up to 5 m (196.86") 0.3 m to 1.5 m (11.81" to 59.06") recommended Adjustable through software
	Face Verification Accuracy	> 99%
	Face Verification Time	≤ 0.5 s/person
Touch	Touch Type	Capacitive touch
	Glass	3 mm anti-glare toughened glass
	Touch Point	10
Interface	Network Interface	LAN × 1, built-in Wi-Fi
	Data Transmission Interface	USB 2.0 × 2, BT 4.0 × 1, Card-swiping for IC card, Access control linkage
Power	Standby Consumption	≤ 0.5 W
	Power Consumption	≤ 60 W
Working Environment	Working Temperature	0 °C to 40 °C (30 °F to 104 °F)
	Working Humidity	10% to 90% RH (without condensation)
General	Power Supply	24 VDC, 2.5 A
	Gross Weight	8.21 kg
	Net Weight	6.54 kg
	Package Dimensions (W × H × D)	662 (W) mm × 530 (H) mm × 110 (D) mm (26.1" × 20.9" × 4.3")
	Packing List	Power adapter × 1, access control linkage line × 1, quick start guide × 1, screw kit × 1, L-type ring spanner × 1, dust-proof bag × 1, intelligent cloud digital signage paper card × 1, power cord × 1

	Product Dimensions (W × H × D)	With base: 514.06 (W) mm × 383.79 (H) mm × 28 (D) mm (20.24" × 15.11" × 1.1") Without base: 514.06 (W) mm × 383.79 (H) mm × 26.6 (D) mm (20.24" × 15.11" × 1.06")
Internal Function	Loudspeaker	8 Ω, 3 W × 2

▪ **Available Model**

DS-D6122TH-D/C

▪ Dimension



Unit: mm

Headquarters

No.555 Qianmo Road, Binjiang District,
Hangzhou 310051, China
T +86-571-8807-5998
www.hikvision.com

Follow us on social media to get the latest product and solution information.

