

DS-D5050UC-C 50-inch LCD Monitor



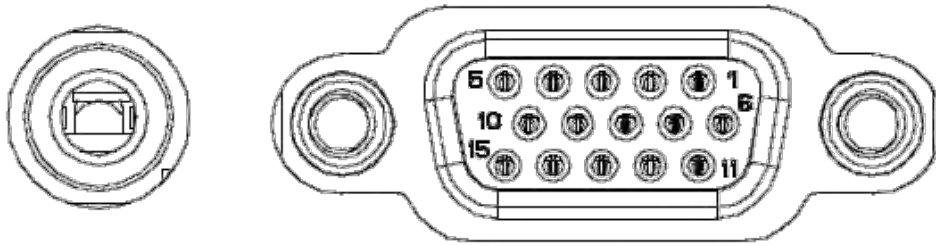
- Designed for video security, high reliability and stability
- 50" LED backlight with wide display equipment
- 4K resolution is 4 times the resolution of 1080p, providing a wider view and more fine detail
- Multiple inputs: HDMI, VGA, USB
- Narrow front bezel
- Wide view angle: Horizontal 178°, Vertical 178°
- 24/7 operation

▪ Specification

	Model	DS-D5050UC-C
Display	Screen Size	50"
	Active Display Area	1095.84 (H) mm × 616.41 (V) mm
	Resolution	3840 × 2160@60 Hz
	Backlight	LED
	Pixel Pitch	0.2854 (H) mm × 0.2854 (V) mm
	Brightness	300 cd/m ²
	Viewing Angle	178° (H)/178° (V)
	Color Depth	8 bit
	Contrast Ratio	5000:1
	Response Time	8 ms
	Refresh Rate	60 Hz
	Haze	1%
	Reliability	7 × 24 H
	Color Gamut	72% NTSC
Interface	Video & Audio Input	HDMI 1.4 × 1, HDMI 2.0 × 1, VGA × 1, Audio in × 1
	Video & Audio Output	Speaker (6 Ω 7 W) × 2
	Data Transmission Interface	USB × 1
Power	Power Supply	100 to 240 VAC, 50/60 Hz
	Power Consumption	≤ 110 W
	Standby Consumption	≤ 0.5 W
Working Environment	Working Temperature	0 °C to 40 °C (32 °F to 104 °F)
	Working Humidity	20% to 80% RH (Non-Condensing)
	Storage Temperature	-20 °C to 60 °C (-4 °F to 140 °F)
	Storage Humidity	10% to 90% RH (Non-Condensing)
General	Casing Material	Plastic
	VESA	200 mm × 200 mm (4 × M6-30 mm)
	Bezel Width	8.24 mm (top/left/right), 23.22 mm (bottom)
	Product Dimensions (W × H × D)	Without stand: 1116.32 mm × 648 mm × 87.2 mm (43.95" × 25.51" × 3.43") With stand: 1116.32 mm × 710.53 mm × 247.88 mm (43.95" × 27.97" × 9.76")
	Package Dimensions (W × H × D)	1420 mm × 800 mm × 160 mm (55.91" × 31.50" × 6.30")
	Net Weight	Without stand: 10.41 kg (22.95 lb.) With stand: 10.65 kg (23.48 lb.)
	Gross Weight	Without stand: 13.5 kg (29.76 lb.) With stand: 13.8 kg (30.42 lb.)
	Packing List	Power cable × 1, remote control × 1, user manual × 1, HDMI cable × 1, base bracket × 1
Remarks	If the appearance and parameters in this specification vary from the actual product, the later prevails. You can also consult local sale staff.	

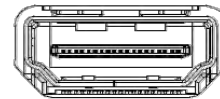
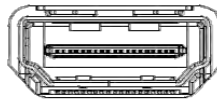
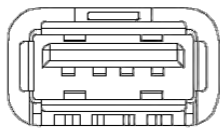
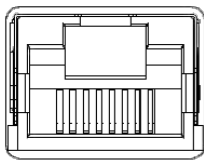
▪ **Physical Interface**

Interface	Description	Interface	Description
HDMI-IN1	HDMI 1.4 Input, 3840 × 2160@30 Hz	VGA	VGA Input, 1920 × 1080@60 Hz
HDMI-IN2	HDMI 2.0 Input, 3840 × 2160@60 Hz	AUDIO-IN	Audio Input
USB	USB 2.0 Input		



AUDIO

VGA



RJ45

USB

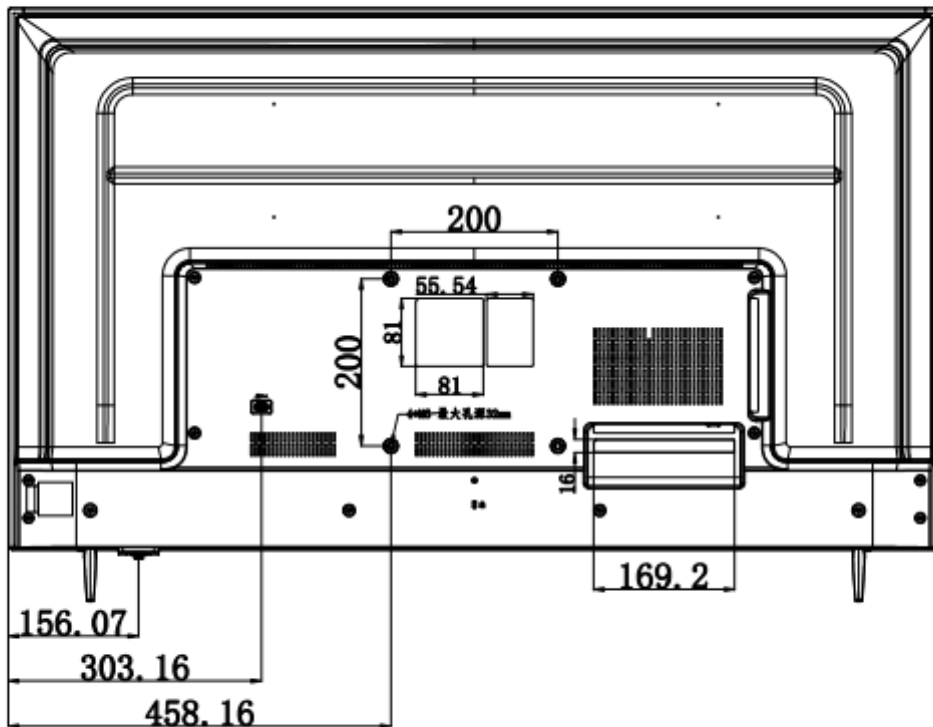
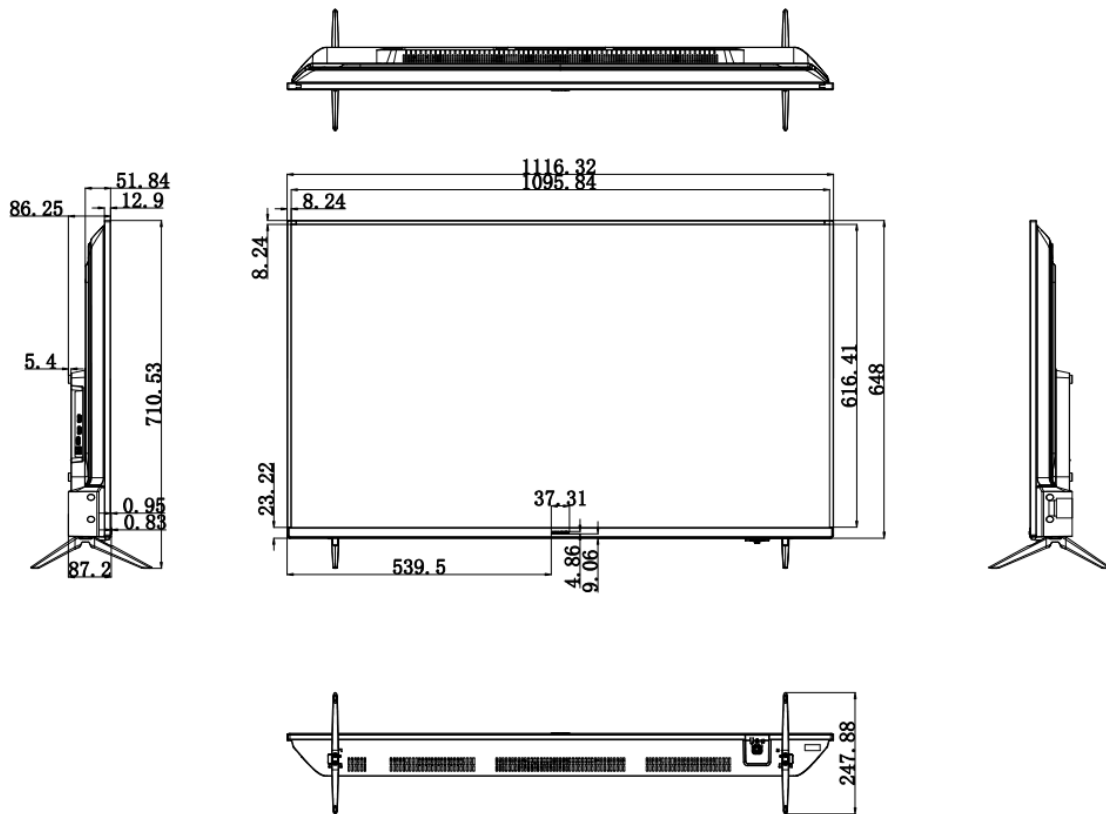
HDMI 1

HDMI 2

▪ **Available Model**

DS-D5050UC-C

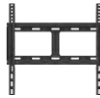
Dimension



▪ **Accessory**

▪ **Optional**

**DS-DM4255W
Wall-mounted
Bracket**



Headquarters

No.555 Qianmo Road, Binjiang District,
Hangzhou 310051, China
T +86-571-8807-5998
www.hikvision.com



Follow us on social media to get the latest product and solution information.

