

PMCL600K Series 4K Ultra High Definition LED Monitors

WALL MOUNT 43-INCH, 49-INCH, 55-INCH, AND 65-INCH MONITORS

Product Features

- Thin Bezels Insure Uninterrupted Viewing Across Multiple Monitors on a Monitor Wall
- Ultra High Definition 3840 x 2160 Resolution
- Displays HDMI, DisplayPort, and VGA Signals
- OSD Menu Selection of 16:9 Widescreen or 4:3 SD Aspect Ratio
- Bright LED Illuminated Panel with Ultra Wide (178°) Viewing Angle
- Built-in Stereo Speakers and Audio Amplifier
- Standard 400 x 400 mm VESA Mounting
- DisplayPort Cable, Power Cable, Remote Control, and Wall Mount Bracket Included
- Auto Input Switch
- On-Screen Display (OSD) Languages: English, Spanish, German, French, Italian, and Chinese (Simplified)
- Picture-in-Picture (PIP) and Picture-by-Picture (PBP)



PMCL643K, PMCL649K, PMCL655K, AND PMCL665K

Pelco's **PMCL600K Series 4K Ultra High Definition** monitors combine the latest technologies into a perfect complement to your investment in megapixel imaging and performance. Wall mount Ultra High Definition monitors deliver 3840 x 2160 resolution and are specifically engineered to exceed the demands of surveillance operators.

Ultra High Definition displays adapt to the changing nature of security in control room design and efficiency. Pelco Ultra High Definition monitors are an integral component of the modern control room, allowing you to customize and deliver the most efficient video configuration for your installation.

Individual monitors, as well as entire walls, can be configured to meet your security needs. Also, multiple video streams can be arranged on a single monitor to significantly reduce your installation's power requirements. Pelco's energy-conscious Ultra High Definition displays use low-power components to meet regulatory compliance.

- Designed for 24/7 Operation and Backed by a 3-Year Warranty

Ultra High Definition monitors deliver optimal performance and the truest color reproduction available while retaining compatibility with Pelco and third-party megapixel cameras. The result is superior clarity and image recognition. When used with other, lower resolution camera systems, Pelco Ultra High Definition displays can seamlessly scale down to 720p. This feature guarantees crisp, detailed images from all cameras.

Ultra High Definition monitors have been designed to meet the global demands of complex security installations. Stringent testing of Ultra High Definition monitor components ensures that around-the-clock, day-in and day-out operation does not degrade the image quality, but consistently maintains the superior performance that surveillance operators require.

TECHNICAL SPECIFICATIONS

GENERAL

Parameter	PMCL643K 43-Inch	PMCL649K 49-Inch	PMCL655K 55-Inch	PMCL665K 65-Inch
Viewing Area	941.1 mm x 529.4 mm	1073.78 x 604 mm	1211.2 x 683.6 mm	1428.48 mm x 803.52 mm
Number of Pixels	3840 (H) x 2160 (V)			
LED Type	DLED	DLED	DLED	ELED
Brightness	450 cd/m ²			
Contrast Ratio	3000:1	3000:1	5000:1	3000:1
Power Consumption	<100 W	<150 W	<160 W	<160 W
Dimensions (W x L x D) (without stand)	96.07 x 55.07 x 6.5 cm (37.82 x 21.68 x 2.56 in)	109.15 x 62.32 x 6.5 cm (42.97 x 24.53 x 2.56 in)	122.72 x 69.96 x 6.5 cm (48.31 x 27.54 x 2.56 in)	145.3 x 83.15 x 4.98 cm (57.2 x 32.74 x 1.96 in)
Weight Unit Shipping	16.6 kg (36.6 lb) 27 kg (59.52 lb)	20.5 kg (45.1 lb) 30.4 kg (67 lb)	25.2 kg (55.56 lb) 35 kg (77.2 lb)	37 kg (81.6 lb) 50 kg (110.2 lb)
Speakers	8 ohm 5 W/channel			
Included Mount	Wall Mount			

Case and Stand Material	Metal
Refresh Rate	60 Hz
Auto Adjust	Yes
Viewing Angle (H/V)	178°/178°
Response Time	8 ms
Picture-in-Picture (PIP)	Separates the screen into two parts
Picture-by-Picture (PBP)	Separates the screen in up to four parts, displaying output from up to four different source devices
Maximum Resolution	3840 x 2160 at 60 Hz
Supported Resolutions	

Input Resolutions	Refresh Rate
3840 x 2160	30 Hz/60 Hz
1920 x 1080	60 Hz
1360 x 768	60 Hz
1280 x 1024	60 Hz/75 Hz
1024 x 768	60 Hz/75 Hz
800 x 600	60 Hz/75 Hz
640 x 480	60 Hz
720 x 400	60 Hz

Monitor Aspect Ratio	16:9 or 4:3
Horizontal TV Lines	2160
Color Depth	10 bit (D), 1.07 billion colors
Rear Panel Controls	Power, left/right, up/down, menu, input
Indicators	LED (power on/off)
De-Interlace and	
Noise Reduction	3D De-Interlace
VESA® Mounting Compliance	400 x 400 mm; location centered on monitor body

ELECTRICAL

Input Voltage	100 to 240 VAC +/-10% @ 50/60 Hz
Digital Video Inputs	HDMI and DisplayPort up to 3840 x 2160
Port Inputs	DP + HDMI (2) + VGA + Audio + RS-232 In (HDMI 1.2, HDMI 2.0)
Port Outputs	RS-232 Out
Sync Format	NTSC/PAL

ENVIRONMENTAL

Operating Temperature	0° to 40°C (32° to 104°F)
Storage Temperature	-20° to 60°C (-4° to 140°F)
Operating Humidity	10% to 85%, noncondensing
Storage Humidity	10% to 85%, noncondensing

MODEL

PMCL643K	43-inch monitor (109.22 cm)
PMCL649K	49-inch monitor (124.46 cm)
PMCL655K	55-inch monitor (139.7 cm)
PMCL665K	65-inch monitor (165.1 cm)

RECOMMENDED ACCESSORIES

PMCLNBWMF	Flat Wall Mount
PMCLNBWMT	Tilt Wall Mount
PMCLNBWMS	Swing Out Arm Wall Mount

CERTIFICATIONS

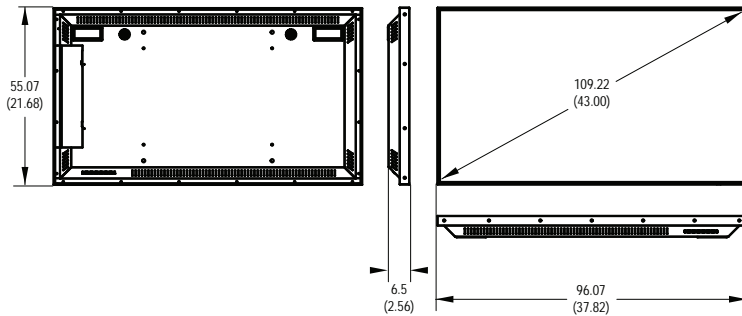
CE, Class B
 FCC, Class B
 HDMI Forum
 ICES-003, Class B
 UL/cUL Listed

TECHNICAL SPECIFICATIONS

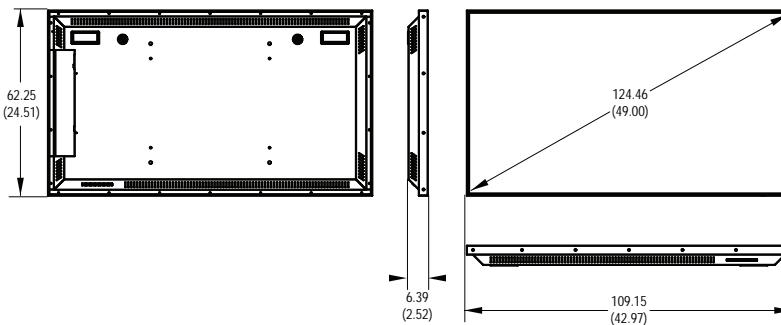


VALUES IN PARENTHESES ARE INCHES; ALL OTHERS ARE CENTIMETERS.

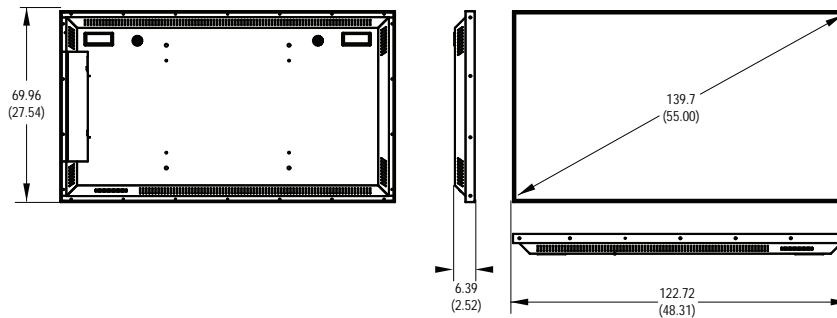
PMCL643K



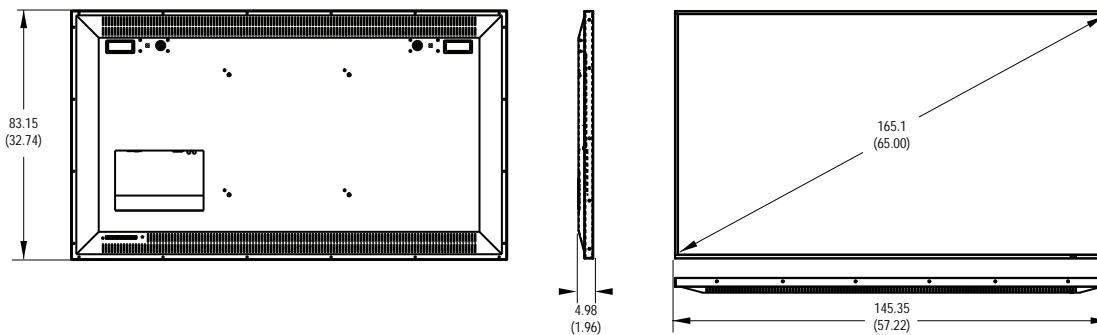
PMCL649K



PMCL655K



PMCL665K



▲ **WARNING:** Cancer and Reproductive Harm - www.P65Warnings.ca.gov.
 ▲ **ADVERTENCIA:** Cáncer y Daño Reproductivo - www.P65Warnings.ca.gov.
 ▲ **AVERTISSEMENT:** Cancer et Troubles de l'appareil reproducteur - www.P65Warnings.ca.gov.

Pelco, Inc.

625 W. Alluvial Ave., Fresno, California 93711 United States
USA & Canada Tel (800) 289-9100 Fax (800) 289-9150
International Tel +1 (559) 292-1981 Fax +1 (559) 348-1120
www.pelco.com

Pelco, the Pelco logo, and other trademarks associated with Pelco products referred to in this publication are trademarks of Pelco, Inc. or its affiliates. ONVIF and the ONVIF logo are trademarks of ONVIF Inc. All other product names and services are the property of their respective companies. Product specifications and availability are subject to change without notice. ©Copyright 2019, Pelco, Inc. All rights reserved.