



SBP-160HMW1

Hanging Mount



Key Features

- Aluminum, White
- Mount screw size : TR20

SBP-160HMW1

Hanging Mount

Specifications

Mechanical

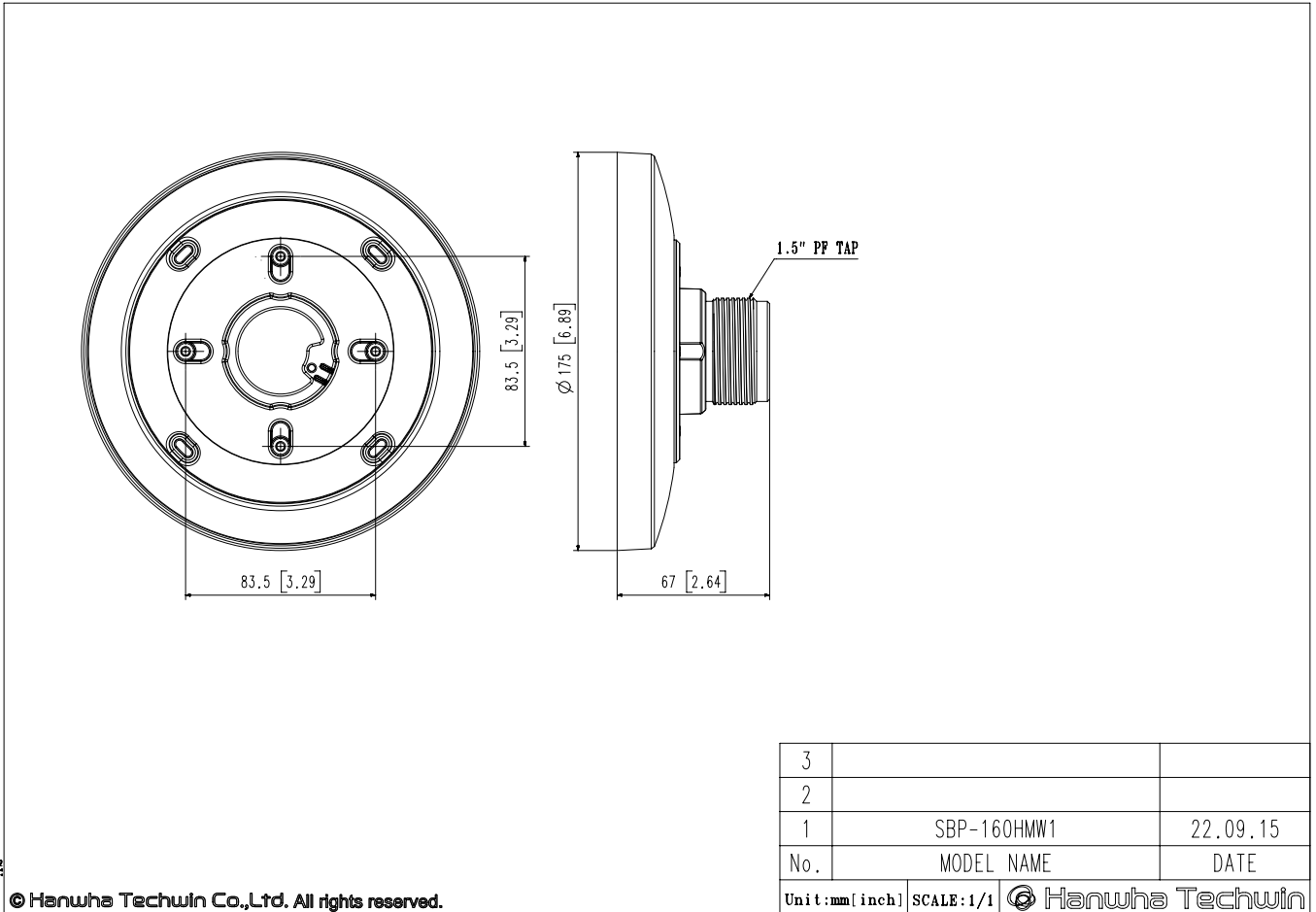
Color	White
Material	Core : Aluminum / Cap : Plastic
RAL code	RAL9003
Product dimensions / weight	Φ175x67mm(Φ6.89x2.64"), 320g(0.71lb)
Mount Screw size	TR20
Supported products	XND-C6083RV/7083RV/8083RV/9083RV, XND-6083RV/8083RV/8093RV/9083RV, PND-A6081RV/9081RV, XNV-C6083R/7083R/8083R/9083R, XNF-9013RV/9010RV, XND-8082RV/9082RV

SBP-160HMW1

Hanging Mount

CAD

Unit: mm [inch]



A2

© Hanwha Techwin Co., Ltd. All rights reserved.