

Small PoE IR LED Illuminator

The Clarius® Plus range of high performance Infra-Red LED illuminators are designed to provide class leading performance, long life and ultra low maintenance.

Incorporating the latest surface mount Dual Core® LED's with enhanced optical output and outstanding reliability, they deliver excellent night-time images.

Each unit is fitted with integrated control circuitry to carefully control LED output, delivering consistent illumination and projected working life in excess of 10 years.

The Clarius® Plus range of illuminators includes a new interchangeable lens diffuser system; which allows the user to quickly and easily alter the angle of illumination. Elliptical beam profiles allow more light to be delivered where it is needed, allowing both longer distances and minimising light wastage. The system also helps to prevent overexposure of foreground objects.

As standard the illuminator includes interchangeable lensing to deliver 10° circular, 30°, 60° and 95° elliptical beam profiles.

PRODUCT CODES

SECL-IR850-POE-S

Small Clarius PLUS PoE Infra-Red Illuminator 850nm

SECL-IR940-POE-S

Small Clarius PLUS PoE Infra-Red Illuminator 940nm

Interchangeable Diffuser Lens



FEATURES

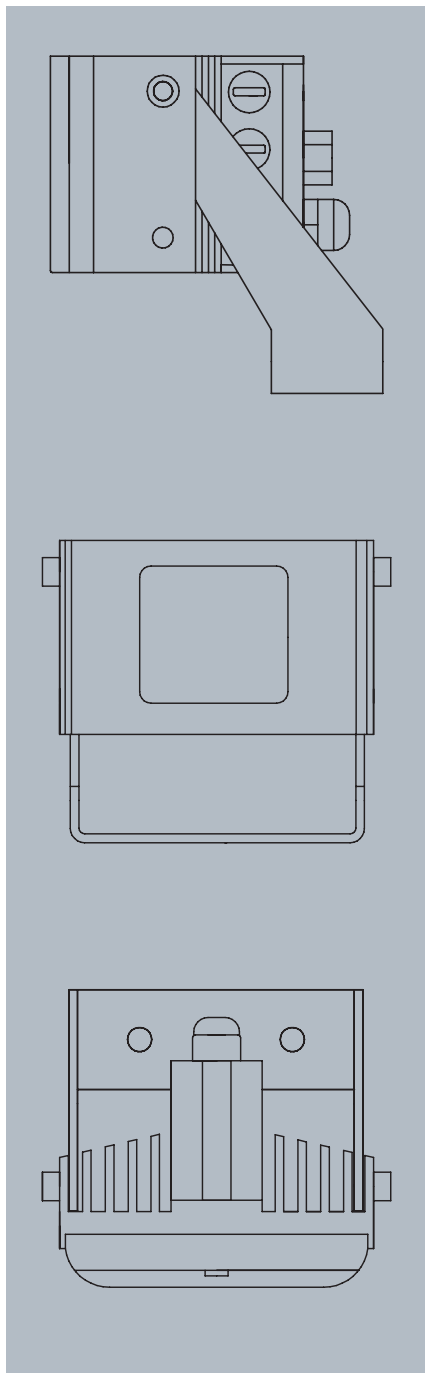
IR illuminator designed to provide dedicated lighting for IP cameras via PoE (Power Over Ethernet)
IEEE802af Compliant
Latest Dual Core® SMT LED technology
Elliptical beam profiles
Distances up to 101m (332')
Angle 10°, 30°, 60° & 95°
850nm or 940nm wavelengths
5 year warranty
IP66 weather proof rating
Built-in photocell IR on/off
Photocell following contact
Telemetry & camera day/night remote switching
CleanLITE® self cleaning lens coating technology
Advanced LED optics
High quality anodised aluminium heatsink
Pressure equalisation vent

SPECIFICATIONS



Product Code	Wavelength	Angle	Distance		FOV	
SECL-IR850 -POE-S	850nm	10° - Circular	101m	332'	18m	58'
		30° - Elliptical	51m	166'	27m	89'
		60° - Elliptical	32m	106'	37m	122'
		95° - Elliptical	16m	53'	35m	115'
SECL-IR850 -POE-S	940nm	10° - Circular	62m	204'	11m	36'
		30° - Elliptical	30m	98'	16m	53'
		60° - Elliptical	18m	60'	21m	70'
		95° - Elliptical	9m	30'	20m	66'

Other angles available on request.



GENERAL	
ELECTRONICS	High efficiency surface mount high power dual core® with advanced current limited integral control circuitry
CONSTRUCTION	Robust high quality aluminium extrusion
FRONT WINDOW	Polycarbonate high transmission protective (vandal proof) IR filter with CleanLITE® technology
FINISH	Black anodised
POWER CABLE	3m (9ft) with waterproof RJ45 connector
INTERFACE CONNECTOR	Photocell following contact & remote telemetry input
PRESSURE EQUALISATION VENT	Prevents thermal expansion & pressure cycling
PHOTOCELL	Adjustable 20 -70 Lux
ILLUMINATION	Adjustable 10% - 100%
OPERATING TEMPERATURE	-50° to 50°C (-58° to 122°F)
WEIGHT	750g (1.6lbs)
MOUNT	Powder coated stainless steel wall mount
DIMENSIONS	68 x 110 x 78mm (2.68" x 4.33" x 3.07")
ELECTRICAL	
POWER OVER ETHERNET (POE)	IEEE802af Compliant interface, Power classification (Class 0)
CONSUMPTION	12W
WAVELENGTH	
STANDARD	850nm (Semi Covert). Faint red glow only

CERTIFICATIONS	
SAFETY	EN60598:2004 Electrical safety EN60825-1 Laser eye safety
IP	IP66 in accordance with EN60529:1992
EMC	EN61000, FCC Part 15. 107 15. 108 Class B
WEEE	Waste electrical & electronic equipment european directive 202/96/EC
RoHS	Restriction of hazardous substance european directive 202/95/EC