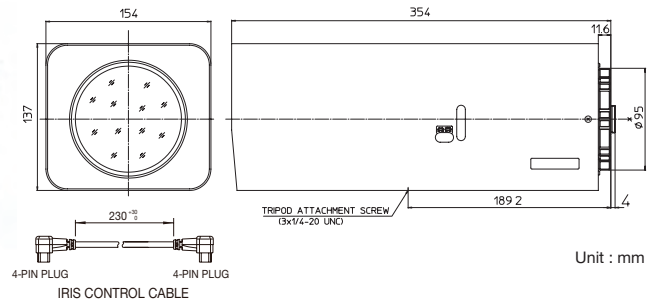


D60x12.5BE-V41 / D60x12.5R3DE Series 1,500mm

Applicable camera (model) **1 2/3 1/2 1/3 1/4**

60x
Applicable to **1/2**



Unit : mm



D60x12.5BE-V41

- Zoom
- Motor Drive
- Wide Angle
- Telephoto Long Focal
- Video Auto Iris
- Iris-Remote
- C Mount
- Metal Mount
- Potentiometer
- ND Filter
- Extender
- RoHS Compliant

D60x12.5R3DE Series

- Zoom
- Motor Drive
- Wide Angle
- Telephoto Long Focal
- Video Auto Iris
- Iris-Remote
- C Mount
- Metal Mount
- Potentiometer
- ND Filter
- Extender
- PC Control
- Full Servo
- RoHS Compliant

D60x12.5R3DE-V41
D60x12.5R3DE-ZP1

		Applicable to 1/2		Applicable to 1/2		Applicable to 1/2	
		D60x12.5BE-V41		D60x12.5R3DE-V41		D60x12.5R3DE-ZP1	
Focal Length (mm)	1x	12.5 - 750(60x)					
	2x	25 - 1500(60x)					
Iris Range	1x	F3.8 - T3000(Equivalent to F3000)					
	2x	F7.6 - T3000(Equivalent to F3000)					
Operation	Zoom	Motor Drive				Servo Control	
	Focus	Motor Drive				Servo Control	
	Iris	Auto (Video Type) or Remote*1*2				Auto (Video Type) or Remote or Servo Control*1*2	
Angle Of View (HxV)	1/2"	1x	WIDE	28° 43' x 21° 44'			
			TELE	0° 29' x 0° 22'			
		2x	WIDE	14° 35' x 10° 58'			
	1/3"	1x	WIDE	21° 44' x 16° 23'			
			TELE	0° 22' x 0° 17'			
		2x	WIDE	10° 58' x 8° 14'			
			TELE	0° 11' x 0° 08'			
Focusing Range (From Front Of The Lens)(m)				∞ - 5			
Object Dimensions at M.O.D. (HxV) (mm)	1/2"	1x	WIDE	2465 x 1849			
			TELE	41 x 31			
		2x	WIDE	1233 x 924			
	1/3"	1x	WIDE	1849 x 1387			
			TELE	31 x 23			
		2x	WIDE	925 x 693			
			TELE	16 x 12			
Back Focal Distance (in air) (mm)		1x		53.23			
		2x		31.10			
Exit Pupil Position (From Image Plane) (mm)		1x		-77			
		2x		-38			
Filter Thread (mm)		M107 x 1					
Extender		2x					
Mass (g)		5100				5200	
Wiring Diagram		P24				P25	

* 1 : When power is turned off, iris will automatically close.
* 2 : For details on the Iris-Remote connection, see the relevant Technical Reference (Page 27).

Zoom position D60x16.7SR4DE Series

WIDE (16.7mm)

TELE (1,000mm)

*without Extender

