

EG6Z0915KCS-MPWIR-V

**6X 9mm - 50mm F1.5 Day & Night
for 1/1.8 type Megapixel Cameras, Vari-focal, Stepping Motor Iris
CS-mount**

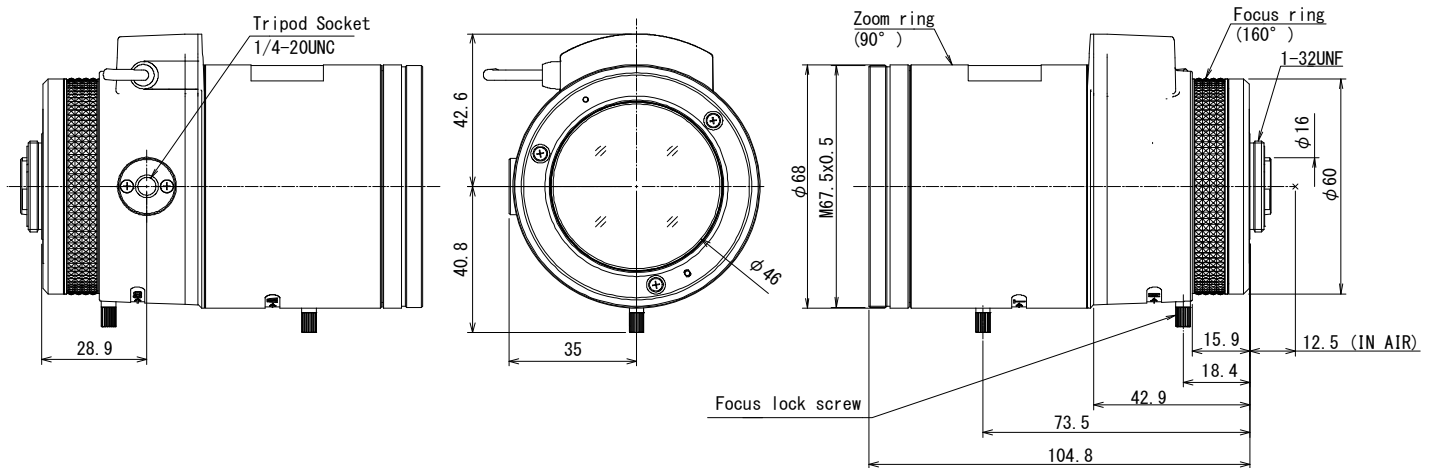
Optical Specifications

Model No.		EG6Z0915KCS-MPWIR-V		Min. Objective Distance		3m from front of lens		
Focal Length		9mm - 50mm		Effective Lens Aperture		Front:φ44.7mm Rear:φ9.6mm		
F-Number	Wide	F1.5 - F16C		Back Focal Length	Wide	9.2 mm (in Air)		
	Tele	F1.6 - F16C			Tele	9.2 mm (in Air)		
Max. Image Format		7.1mm x 5.4mm (φ8.9mm)		Flange Back Length		12.5mm (In Air)		
Angle of View	Diagonal	1/1.8 type	52.5°~ 10.2°	1/1.8 type	52.5°~ 10.2°	1/2.7 type	39.4°~ 7.7°	
	Horizontal	(16:9)	46.1°~ 9.0°	(4:3)	42.3°~ 8.2°		(16:9)	34.5°~ 6.7°
	Vertical		26.3°~ 5.2°		32.4°~ 6.3°			19.5°~ 3.8°
Angle of View	Diagonal	1/2.8 type	38.5°~ 7.5°	1/3 type	35.9°~ 7.0°			
	Horizontal	(16:9)	33.7°~ 6.6°	(4:3)	28.8°~ 5.7°			
	Vertical		19.1°~ 3.8°		21.7°~ 4.3°			

Mechanical & Electrical Specifications

Control	Iris	Stepping Motor	Dimensions	As per the attached drawing
	Focus	Manual	Mount	CS mount
	Zoom	Manual	Weight	278g
Tripod Screw		1/4 -20UNC	Operating Temperature	-20°C - +60°C

Dimensions



Wiring Diagram

