

XNB-6001

2M Network Remote Head Camera



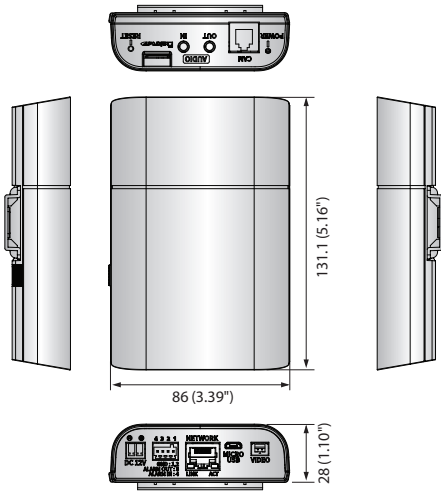
* Lens not Included

Key Features

- Max. 2Megapixel (1920 x 1080) resolution
- H.265, H.264, MJPEG codec support, Multiple streaming
- Max. 60fps@2MP (H.265 / H.264)
- WDR (120dB), Defog, DIS
- Tampering, Loitering, Directional detection, Fog detection, Audio detection, Digital auto tracking, Heatmap, People counting, Queue management, Face detection
- Motion detection, Handover
- SD / SDHC / SDXC memory slot (Max. 256GB)
- Hallway View, WiseStreamII support
- LDC, PoE / 12V DC, Bi-directional audio support

Dimensions

Unit : mm (inch)



XNB-6001	
VIDEO	
Video Out	CVBS : 1.0 Vp-p / 75Ω composite, 720 x 480(N), 720 x 576(P) for installation USB : Micro USB type B, 1280 x 720 for installation
OPERATIONAL	
Camera Title	Off / On (Displayed up to 85 characters) - W/W : English / Numeric / Special characters - China : English / Numeric / Special / Chinese characters - Common : Multi-line (Max 5), Color (Gray / Green / Red / Blue / Black / White), Transparency, Auto scale by resolution
Day & Night	Auto (Electrical) / Color / B/W
Backlight Compensation	Off / BLC / HLC / WDR
Wide Dynamic Range	120dB
Contrast Enhancement	SSDR (Off / On)
Digital Noise Reduction	SSNRV (2D + 3D Noise filter) (Off / On)
Digital Image Stabilization	Off / On
Defog	Off / Auto / Manual
Motion Detection	Off / On (8ea, 8point polygonal zones), Handover
Privacy Masking	Off / On (32ea, polygonal zones) - Color : Gray / Green / Red / Blue / Black / White - Mosaic
Gain Control	Off / Low / Middle / High
White Balance	ATW / AWC / Manual / Indoor / Outdoor (included Mercury & Sodium)
Contrast	Level adjustment
LDC (Lens Distortion Correction)	Off / On (5 Levels with min / max)
Electronic Shutter Speed	Minimum / Maximum / Anti flicker (2 ~ 1/12,000sec)
Digital PTZ	24x, Digital PTZ (Preset, Group)
Flip / Mirror	Off / On, Hallway View : 90°/270°
Video & Audio Analytics	Tampering, Loitering, Directional detection, Defocus detection, Fog & Dust detection, Virtual line, Enter/Exit, (Dis)Appear, Audio detection, Face detection, Motion detection, Digital auto tracking, People counting, Heatmap, Queue management
Alarm I/O	Input 1ea / Output 1ea
Alarm Triggers	Motion detection, Video & Audio analytics, Network disconnect
Alarm Events	File upload Via FTP, E-Mail, Notification via e-mail, Local storage (SD / SDHC / SDXC) or NAS recording at event triggers, External output, DPTZ preset
Pixel Counter	Support
NETWORK	
Ethernet	RJ-45 (10/100 BASE-T)
Video Compression Format	H.265 / H.264 (MPEG-4 part 10/AVC) : Main / Baseline / High, MJPEG
Resolution	1920 x 1080, 1280 x 1024, 1280 x 960, 1280 x 720, 1024 x 768, 800 x 600, 800 x 448, 720 x 576, 720 x 480, 640 x 480, 640 x 360, 320 x 240
Max. Framerate	H.265 / H.264 : Max. 60fps at all resolutions, MJPEG : Max. 30fps
Smart Codec	Manual mode (Area-based : 5ea)
WiseStreamII	Support
Video Quality Adjustment	H.265 / H.264 / MJPEG : Target bitrate level control
Bitrate Control Method	H.265 / H.264 : CBR or VBR, MJPEG : VBR
Streaming Capability	Multiple streaming (Up to 10 Profiles)
Audio In	Selectable (Mic in / Line in) Supply voltage : 2.5V DC (4mA), Input Impedance : Approx. 2K Ohm
Audio Out	Line out, Max output level : 1 Vrms
Audio Compression Format	G.711 u-law/G.726 Selectable, G.726 (ADPCM) 8KHz, G.711 8KHz G.726 : 16Kbps, 24Kbps, 32Kbps, 40Kbps, AAC-LC : 48Kbps at 16KHz
Audio Communication	Bi-directional (2-way)
IP	IPv4, IPv6
Protocol	TCP/IP, UDP/IP, RTP (UDP), RTP (TCP), RTCP, RTSP, NTP, HTTP, HTTPS, SSL/TLS, DHCP, PPPoE, FTP, SMTP, ICMP, IGMP, SNMPv1/v2c/v3 (MIB-2), ARP, DNS, DDNS, QoS, UPnP, Bonjour
Security	HTTPS (SSL) Login authentication, Digest login authentication, IP address filtering, User access log, 802.1X Authentication (EAP-TLS, EAP-LEAP)
Streaming Method	Unicast / Multicast
Max. User Access	20 Users at Unicast Mode
Edge Storage	SD/SDHC/SDXC (256 GB) - Motion Images recorded in the SD/SDHC/SDXC memory card can be downloaded. NAS (Network Attached Storage), Local PC for instant recording
Application Programming Interface	ONVIF profile S/G, SUNAPI (HTTP API), Open Platform
Webpage Language	English, Korean, Chinese, French, Italian, Spanish, German, Japanese, Russian, Swedish, Portuguese, Czech, Polish, Turkish, Dutch, Hungarian, Greek
Web Viewer	Supported OS : Windows 7, 8.1, 10, Mac OS X 10.10, 10.11, 10.12 Non-plugin Webviewer - Supported Browser : Google Chrome 61, MS Edge 40, Mozilla Firefox 56 (Window 64bit only), Apple Safari 10 (Mac OS X only) Plug-in Webviewer - Supported Browser : MS Explore 11, Apple Safari 10 (Mac OS X only)
Central Management Software	SmartViewer, SSM
ENVIRONMENTAL	
Operating Temperature / Humidity	-10°C ~ +55°C (+14°F ~ +131°F) / Less than 90% RH
Storage Temperature / Humidity	-30°C ~ +60°C (-22°F ~ +140°F) / Less than 90% RH
ELECTRICAL	
Input Voltage / Current	12V DC, PoE (IEEE802.3af, Class3)
Power Consumption	Max. 6.5W (12V DC), Max. 6W (PoE)
MECHANICAL	
Color / Material	Ivory
Dimensions (WxHxD)	131.1 x 28 x 86mm (5.16" x 1.10" x 3.39")
Weight	245g (0.54 lb)

* The latest product information / specification can be found at hanwha-security.com

* Design and specifications are subject to change without notice.

* Wisenet is the proprietary brand of Hanwha Techwin, formerly known as Samsung Techwin.

SLA-T2480/T2480V/T4680/T4680V/T1080F

2M Lens Modules



SLA-T2480 SLA-T2480V SLA-T4680 SLA-T4680V SLA-T1080F

Key Features

- Max. 2Megapixel (1920 x 1080) resolution
- 0.45Lux@F2.0 (SLA-T2480/T2480V)
- 0.06Lux@F2.5 (SLA-T4680/T4680V)
- 0.03Lux@F1.6 (SLA-T1080F)
- 2.4mm fixed lens (SLA-T2480/T2480V)
- 4.6mm pinhole lens (SLA-T4680/T4680V)
- 1.6mm fisheye lens (SLA-T1080F)

	SLA-T2480	SLA-T2480V	SLA-T4680	SLA-T4680V	SLA-T1080F
VIDEO					
Imaging Device	1/2.8" 2M CMOS	1/2.8" 2M CMOS	1/2.8" 2M CMOS	1/2.8" 2M CMOS	1/2.8" 2M CMOS
Total Pixels	1,945(H) x 1,109(V) 2.16M	1,945(H) x 1,109(V) 2.16M	1,945(H) x 1,109(V) 2.16M	1,945(H) x 1,109(V) 2.16M	1,945(H) x 1,109(V) 2.16M
Effective Pixels	1,945(H) x 1,097(V) 2.13M	1,945(H) x 1,097(V) 2.13M	1,945(H) x 1,097(V) 2.13M	1,945(H) x 1,097(V) 2.13M	1,945(H) x 1,097(V) 2.13M
Scanning System	Progressive Scan	Progressive Scan	Progressive Scan	Progressive Scan	Progressive Scan
Min. Illumination	Color: 0.45Lux (F2.0) B/W: 0.45Lux (F2.0)	Color: 0.45Lux (F2.0) B/W: 0.45Lux (F2.0)	Color: 0.06Lux (F2.5) B/W: 0.06Lux (F2.5)	Color: 0.06Lux (F2.5) B/W: 0.06Lux (F2.5)	Color: 0.03Lux (F1.6)
S / N Ratio	50dB	50dB	50dB	50dB	50dB
Wide Dynamic Range	120dB	120dB	120dB	120dB	120dB
Day & Night	Electrical	Electrical	Electrical	Electrical	Electrical
LENS					
Focal Length (Zoom Ratio)	2.4mm	2.4mm	4.6mm	4.6mm	1.6mm
Max. Aperture Ratio	F2.0	F2.0	F2.5	F2.5	F1.6
Angular Field of View	H: 138° / V: 73° / D: 168°	H: 138° / V: 73° / D: 168°	H: 73° / V: 39° / D: 85°	H: 73° / V: 39° / D: 85°	H: 187° / V: 113.9°
Min. Object Distance	0.3m (0.98ft)	0.3m (0.98ft)	0.3m (0.98ft)	0.3m (0.98ft)	0.3m (0.98ft)
Lens Type	Fixed focal	Fixed focal	Pinhole	Pinhole	Fixed focal
Mount Type	RJ12 connected with main unit	RJ12 connected with main unit	RJ12 connected with main unit	RJ12 connected with main unit	RJ12 connected with main unit
ENVIRONMENTAL					
Operating Temperature / Humidity	-10°C ~ +55°C (+14°F ~ +131°F) / Less than 90% RH	-10°C ~ +55°C (+14°F ~ +131°F) / Less than 90% RH	-10°C ~ +55°C (+14°F ~ +131°F) / Less than 90% RH	-10°C ~ +55°C (+14°F ~ +131°F) / Less than 90% RH	-10°C ~ +55°C (+14°F ~ +131°F) / Less than 90% RH
Storage Temperature / Humidity	-50°C ~ +60°C (-58°F ~ +140°F) / Less than 90% RH	-50°C ~ +60°C (-58°F ~ +140°F) / Less than 90% RH	-50°C ~ +60°C (-58°F ~ +140°F) / Less than 90% RH	-50°C ~ +60°C (-58°F ~ +140°F) / Less than 90% RH	-50°C ~ +60°C (-58°F ~ +140°F) / Less than 90% RH
MECHANICAL					
Color / Material	Lens : Black / Plastic Cable : Black	Lens : Black / Plastic, Metal Cable : Black	Lens : Black / Plastic Cable : Black	Lens : Black / Plastic, Metal Cable : Black	Lens : Black / Plastic, Metal Cable : Black
Dimensions (WxHxD)	Lens : Ø24 x 49.8mm (Ø0.94" x 1.96") Cable : 8m (314.96")	Lens : 30 x 27.9 x 45mm (1.18" x 0.10" x 1.77") Cable : 8m (314.96")	Lens : Ø24 x 42mm (Ø0.94" x 1.65") Cable : 8m (314.96")	Lens : 30 x 20.2 x 45mm (1.18" x 0.80" x 1.77") Cable : 8m (314.96")	Lens : Ø35 x 68.9mm (Ø1.38" x 2.71") Cable : 8m (314.96")
Weight	318g (0.70 lb)	328g (0.72 lb)	310g (0.68 lb)	321g (0.71 lb)	321g (0.71 lb)

* The latest product information / specification can be found at hanwha-security.com
 * Design and specifications are subject to change without notice.
 * Wisenet is the proprietary brand of Hanwha Techwin, formerly known as Samsung Techwin.

Dimensions

Unit : mm (inch)

