

Pole Mounting Bracket



PLMT-1001

Aluminum pole mounting bracket for dome cameras using the pendant wall mount and bullet cameras

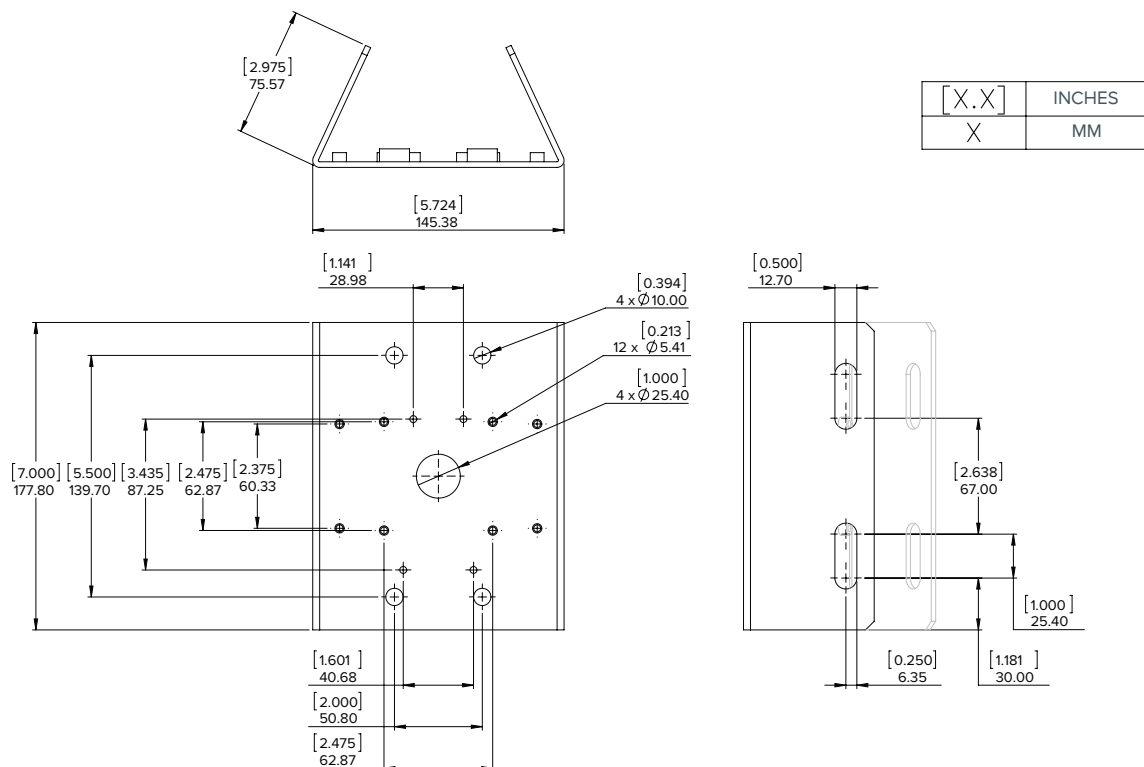
Weight: 0.458 kg (1.01 lbs)

Finish: Powder coat, close to Pantone 427C

- Female inserts
- 6”–20” Metal straps included
- Minimum pole diameter is 152.4 mm (6”)
- Maximum pole diameter is 508 mm (20”)

Pantone 427C Included components for camera and accessories:

- 4 x Hex head bolts (3/8” – 16 x 1”)
- 4 x Lock washers (3/8”)
- 4 x Flat washers (3/8”)
- 4 x Hex head bolts (M4-0.7 x 30)
- 4 x Lock washers (M4)
- 4 x Flat washers (M4)
- 2 x 6” – 20” Metal straps



SUPPORT support@motorolasolutions.com | motorolasolutions.com