

DS-1703ZJ-AC3(OS)

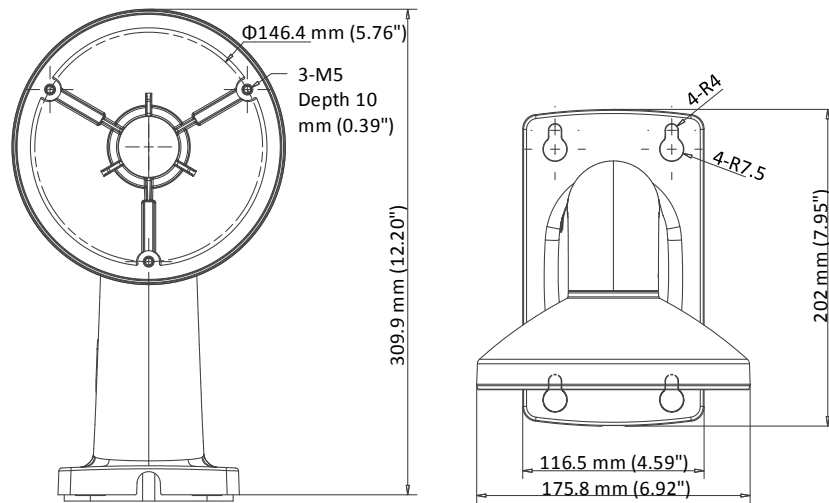
Wall Mount



Feature

- Stainless steel with anticorrosive coating, silver moon gray appearance
- Suitable for indoor and outdoor installation

Dimension



Available Model

DS-1703ZJ-AC3(OS)

Parameter

Model	DS-1703ZJ-AC3(OS)
Parameters	Wall Mount
Appearance	Silver moon gray
Application	Suitable for indoor and outdoor installation
Material	Stainless Steel
Dimension	202 mm × 175.8 mm × 309.9 mm (7.95" × 6.92" × 12.20")
Weight	Approx. 3330 g (7.34 lb.)

Note

- The wall mount should be installed on a flat surface.
- Waterproof rubber is necessary for outdoor application.
- The wall should be capable of supporting at least 3 times the total weight of the camera and the wall mount.
- The maximum load capacity of the wall mount is 5 kg (11.02 lb.).