

## DS-2664ZJ-P

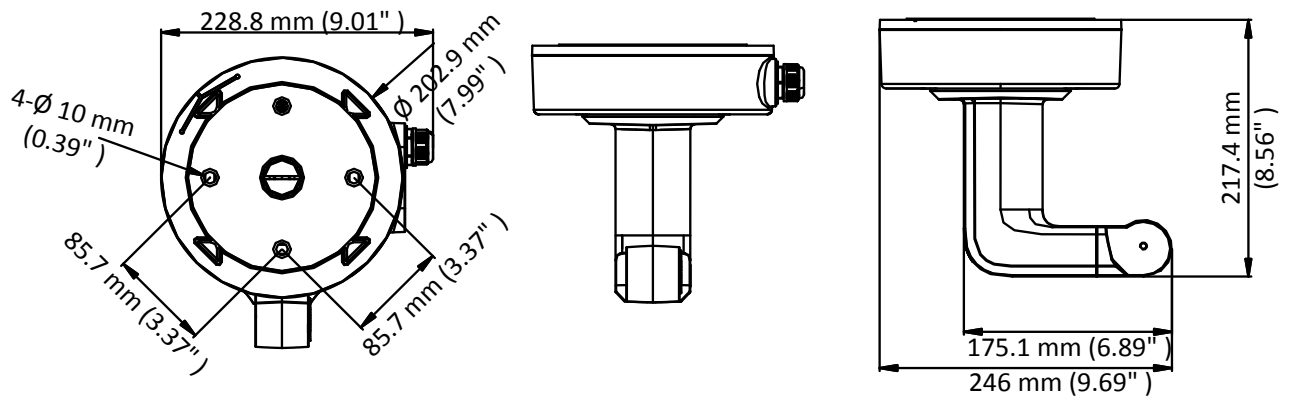
### Pendant Mount



#### Feature

- Aluminum alloy with surface spray treatment
- The junction box design facilitates the cable wiring
- Adjustable tilt range: -40° to 8°
- Adjustable pan range: -40° to 40°

#### Dimension



#### Available Model

DS-2664ZJ-P

#### Parameter

Model	DS-2664ZJ-P
Parameters	Pendant Mount
Appearance	Platinum Gray
Material	Aluminum Alloy
Dimension	Φ202.9 mm × 246 mm × 217.4 mm (7.99" × 9.69" × 8.56")
Weight	Approx. 3500 g (7.72 lb.)

#### Note

- The mount should be installed on a flat surface.
- Waterproof rubber is necessary for outdoor application.
- The wall should be capable of supporting at least 3 times as much as the total weight of the camera and the mount.
- The maximum load capacity of the mount is 5 kg (11 lb.).