

# 60 SERIES CAMERAS MOUNTS AND ACCESSORIES

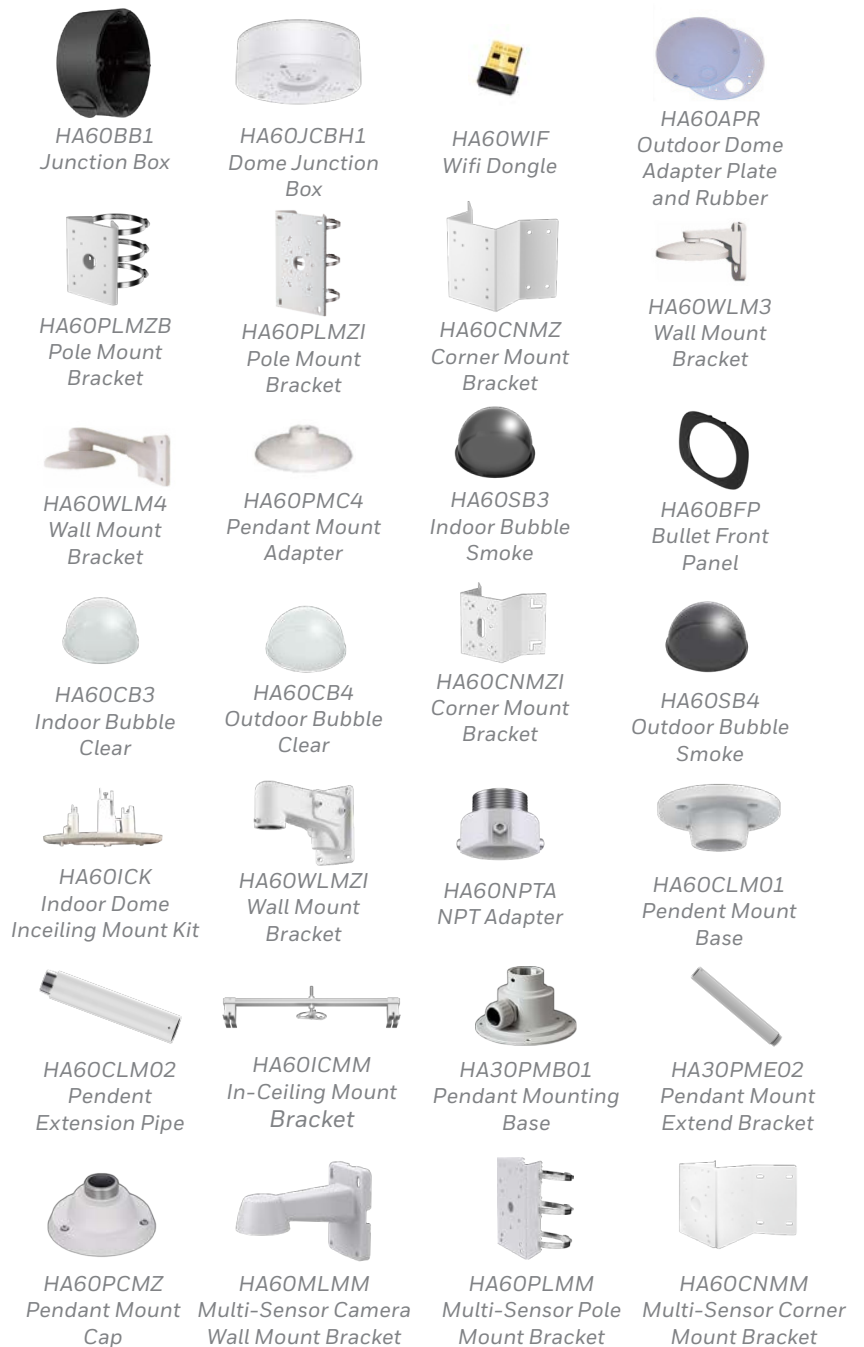
Honeywell's 60 Series mounts and accessories provide a wide range of installation options for the Honeywell 60 Series IP cameras, including junction box, in ceiling mount bracket, wall mount bracket, pole mount bracket, corner mount bracket, etc.

The mounts provide easy cable routing with no exposed wiring, and the cameras can be installed, adjusted, and tested without repositioning the housing. All of the mounts and accessories are suitable for indoor or outdoor use.

The junction box, pendant mount bracket, wall mount bracket, pendant mount cap and pendant mount adapter are constructed of die-casting aluminum. The in ceiling mount bracket is made of SECC steel. The pole mount bracket, corner mount bracket is made of SPCC steel.

































## MARKET OPPORTUNITIES

Honeywell's 60 Series mounts and accessories provide excellent value at an attractive price, featuring simple, clean lines, and rugged construction for a wide range of mounting options.

















# MOUNTS AND ACCESSORIES

## COMPATIBLE 60 SERIES CAMERAS

MODEL	HC60W35R2 HC60W35R4	HC60W34R2 HC60W34R2L	HC60W45R2 HC60W45R4	HC60W44R2 HC60W44R2L	HC60WB5R2 HC60WB5R5 HC60WB4R2 HC60WB4R2L	HC60WZ2R40 HC60WZ5R30	HC60WZ4R40WI
HA60BB1 							
HA60JCBH1 							
HA60PLMZB 			+HA60WLM4 	+HA60WLM4 	+HA60BB1 		
HA60PLMZI 						+HA60WLMZI 	+HA60WLMZI 
HA60CNMZI 						+HA60WLMZI 	+HA60WLMZI 
HA60CNMZ 			+HA60WLM4 	+HA60WLM4 	+HA60BB1 		
HA60WLMZI 							
HA60WLM3 							
HA60WLM4 							
HA60PMC4 			+Pendant mount bracket (bracket and installation not included) 	+Pendant mount bracket (bracket and installation not included) 			
HA60WIF 	✓	✓	✓	✓	✓	✓	















# MOUNTS AND ACCESSORIES

## COMPATIBLE 60 SERIES CAMERAS

MODEL	HC60W35R2 HC60W35R4	HC60W34R2 HC60W34R2L	HC60W45R2 HC60W45R4	HC60W44R2 HC60W44R2L	HC60WB5R2 HC60WB5R5 HC60WB4R2 HC60WB4R2L	HC60WZ2R40 HC60WZ5R30	HC60WZ4R40WI
HA60BFP 					✓		
HA60CB3 	✓	✓					
HA60CB4 			✓	✓			
HA60SB3 	✓	✓					
HA60SB4 			✓	✓			
HA60ICK 	Included in camera package						
HA60APR 			Included in camera package				
HA60NPTA 						Included in camera package	
HA60CLM01 						+HA60CLM02 	+HA60CLM02 
HA60CLM02 						+HA60CLM01 	+HA60CLM01 

# MOUNTS AND ACCESSORIES

## COMPATIBLE 60 SERIES CAMERAS

MODEL	HC60W35R2 HC60W35R4	HC60W34R2 HC60W34R2L	HC60W45R2 HC60W45R4	HC60W44R2 HC60W44R2L	HC60WB5R2 HC60WB5R5 HC60WB4R2 HC60WB4R2L	HC60WZ2R40 HC60WZ5R30	HC60WZ4R40WI	HC60WM20R1
HA60ICMM 								
HA30PMB01 								+HA30PME02 +HA60PCMZ 
HA30PME02 								+HA30PMB01 +HA60PCMZ 
HA60PCMZ 								+HA30PMB01 +HA30PME02 
HA60MLMM 								
HA60PLMM 								+HA60MLMM 
HA60CNMM 								+HA60MLMM 

# MOUNTS AND ACCESSORIES

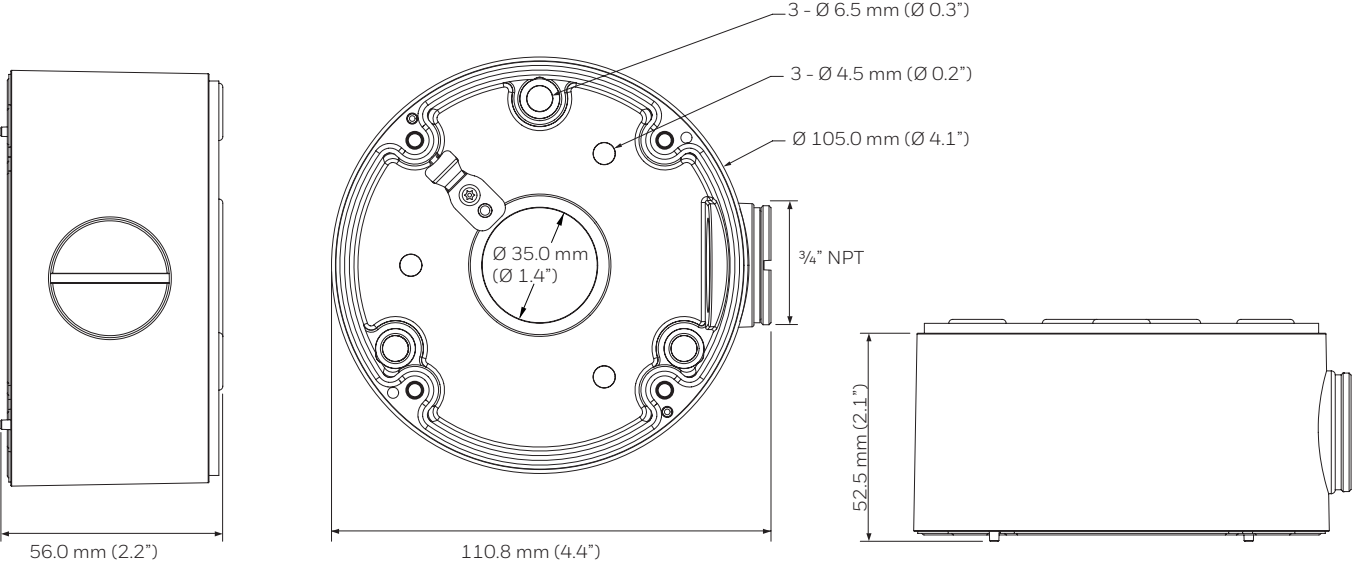
## SPECIFICATIONS

MODEL	INDOOR/ OUTDOOR	CONSTRUCTION	COLOR	WEIGHT	DIMENSIONS
HA60BB1	Indoor/Outdoor	ADC12	RAL 7022 (Dark Gray)	0.4 kg (0.8 lb)	Ø 105.0 mm x 56.0 mm (Ø 4.1" x 2.2")
HA60JCBH1	Indoor/Outdoor	ADC12	RAL 9003 (Signal White)	1.3 kg (2.86 lb)	Ø160.5 mm x 53.0 mm (Ø6.31" x 2.09")
HA60PLMZB	Indoor/Outdoor	Steel	RAL 9003 (Signal White)	1.0 kg (2.20 lb)	134.5 mm x 48.2 mm x 170 mm (5.30" x 1.90" x 6.69")
HA60PLMZI	Indoor/Outdoor	SPCC	RAL 9003 (Signal White)	3.2 kg(7.05 lb)	200 mm x 67.2 mm x 320 mm (7.87" x 2.65" x 12.6")
HA60CNMZI	Indoor/Outdoor	SPCC	RAL 9003 (Signal White)	1.56 kg (3.44 lb)	247.6 mm x 180 mm x 143.5 mm (9.75" x 7.09" x 5.65")
HA60CNMZ	Indoor/Outdoor	Steel	RAL 9003 (Signal White)	1.8 kg (3.97 lb)	243.2 mm x 138.7 mm x 170 mm (9.57" x 5.46" x 6.69")
HA60WLMZI	Indoor/Outdoor	Aluminum	RAL 9003 (Signal White)	0.59 kg (1.3 lb)	109 mm x 164 mm x 209.3 mm (4.29" x 6.46" x 8.24")
HA60WLM3	Indoor	Plastic	RAL 9003 (Signal White)	0.08 kg (0.2 lb)	Ø 121.0 mm x 154.0 mm x 97.0 mm (Ø 4.76" x 6.1" x 3.8")
HA60WLM4	Indoor/Outdoor	ADC12	RAL 9003 (Signal White)	0.9 kg (2.0 lb)	Ø 164.7 mm x 276.8 mm x 139.3 mm (Ø 6.5" x 10.9" x 5.5")
HA60PMC4	Indoor/Outdoor	ADC12	RAL 9003 (Signal White)	0.4 kg (0.9 lb)	Ø 164.7 mm x 46.2 mm (Ø 6.5" x 1.8")
HA60ICK	Indoor	Plastic	RAL 9003 (Signal White)	0.08 kg (0.18 lb)	Ø 155 mm x 61 mm (Ø 6.1" x 2.4")
HA60APR	Indoor/Outdoor	Aluminium / Rubber		0.28 kg (0.61 lb)	Part 1: Ø 158.9 x 4 mm (Ø 6.3" x 0.16") Part 2: Ø 158.9 x 9 mm (Ø 6.3" x 0.35")
HA60NPTA	Indoor/Outdoor	ADC12	RAL 9003 (Signal White)	0.17 kg (0.38 lb)	75.0 mm x 67.87 mm x 48.0 mm (3.0" x 2.7" x 1.9")
HA60CLM01	Indoor/Outdoor	Aluminum (ADC12)	RAL 9003 (Signal White)	0.24 kg (0.53 lb)	Ø 121 mm x 38 mm (Ø 4.77" x 1.50")
HA60CLM02	Indoor/Outdoor	Aluminum	RAL 9003 (Signal White)	0.86 kg (1.90 lb)	Ø 56 mm x 352 mm (Ø 2.20" x 13.86")
HA60ICMM	Indoor/Outdoor	Aluminum	Silver	1.13 kg (2.49 lb)	660.00 mm x 20.00 mm x 40.00 mm (25.98" x 0.79" x 1.57")
HA30PMB01	Indoor/Outdoor	Aluminum	RAL 9003 (Signal White)	0.74 kg (1.63 lb)	Ø 160 mm x 90 mm (Ø 6.3" x 3.54")
HA30PME02	Indoor/Outdoor	Aluminum	RAL 9003 (Signal White)	0.9 kg (1.98 lb)	(Ø 50.8 mm x 400 mm) (Ø 2" x 15.75")
HA60PCMZ	Indoor/Outdoor	Aluminum	RAL 9003 (Signal White)	0.5 kg (1.0 lb)	Ø 154.2 mm x 71.7 mm (Ø 6.1" x 2.8")
HA60MLMM	Indoor/Outdoor	Aluminum	RAL 9003 (Signal White)	1.40 kg (3.08 lb)	276.00 mm x 202.00 mm x 140.00 mm (10.86" x 7.95" x 5.51")
HA60PLMM	Indoor/Outdoor	SPCC steel	White	1.24 kg (2.73 lb)	240.0 mm x 156.7 mm x 68.9 mm (9.45" x 6.16" x 2.71")
HA60CNMM	Indoor/Outdoor	SPCC steel	White	4.00 kg (8.81 lb)	233.40 mm x 341.60 mm x 240.00 mm (9.19" x 13.45" x 9.45")

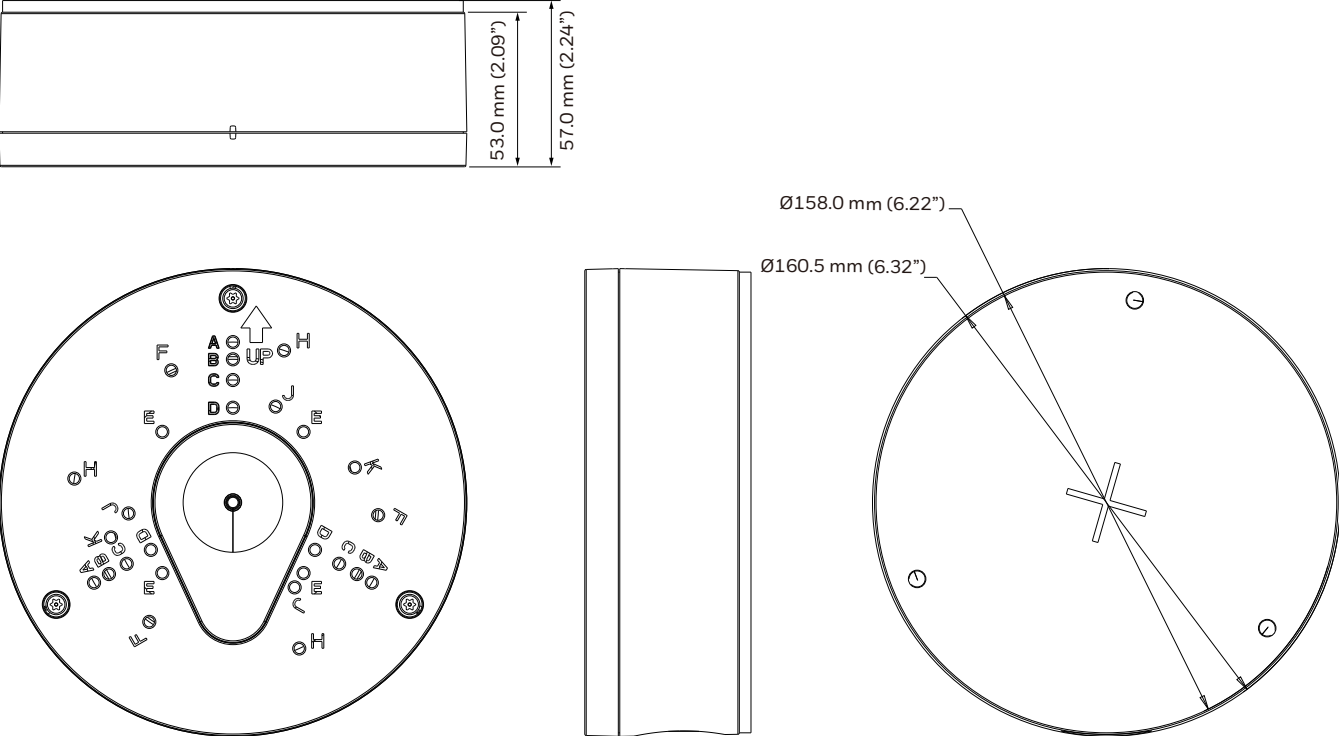
# MOUNTS AND ACCESSORIES

## DIMENSIONS

HA60BB1



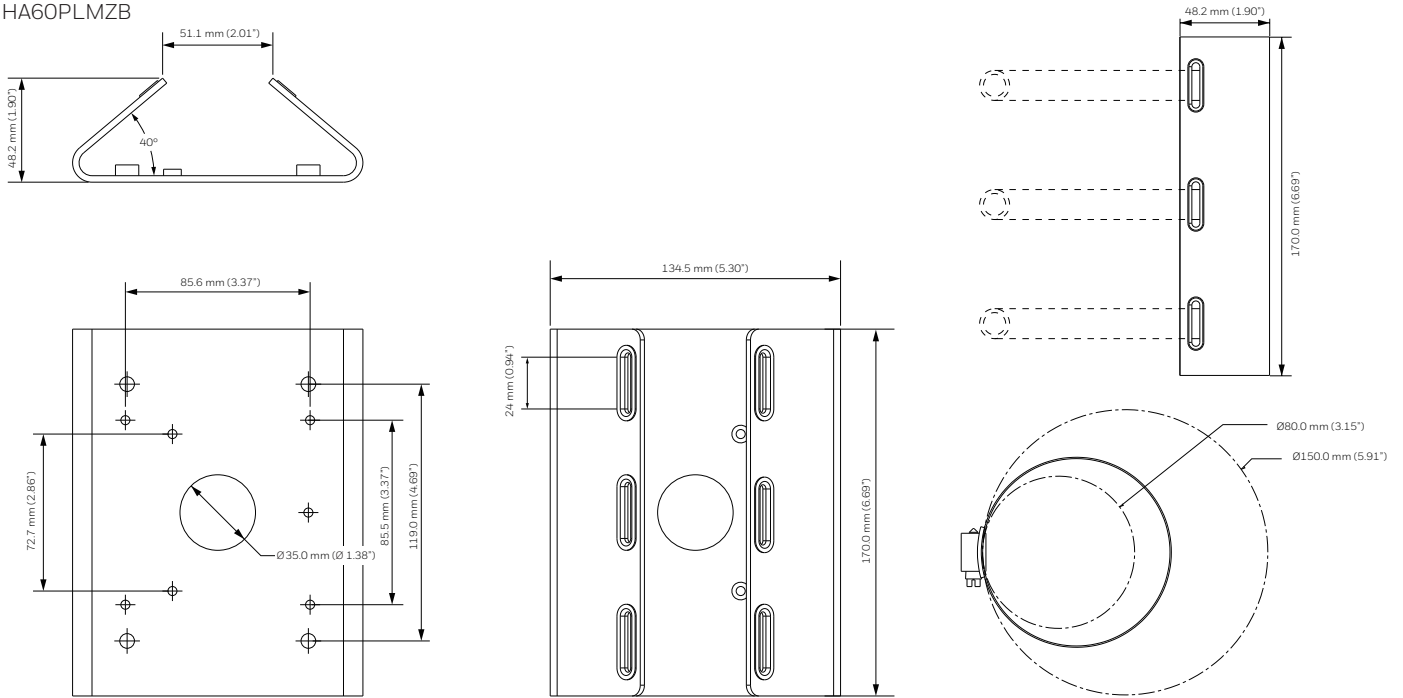
HA60JCBH1



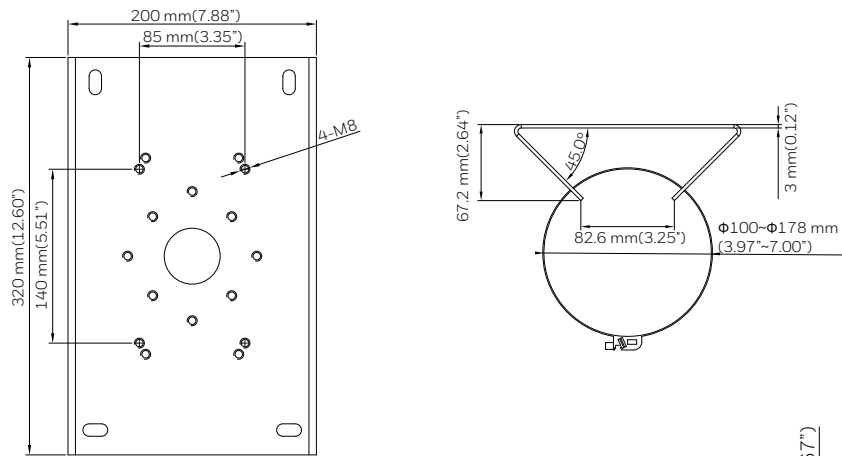
# MOUNTS AND ACCESSORIES

## DIMENSIONS

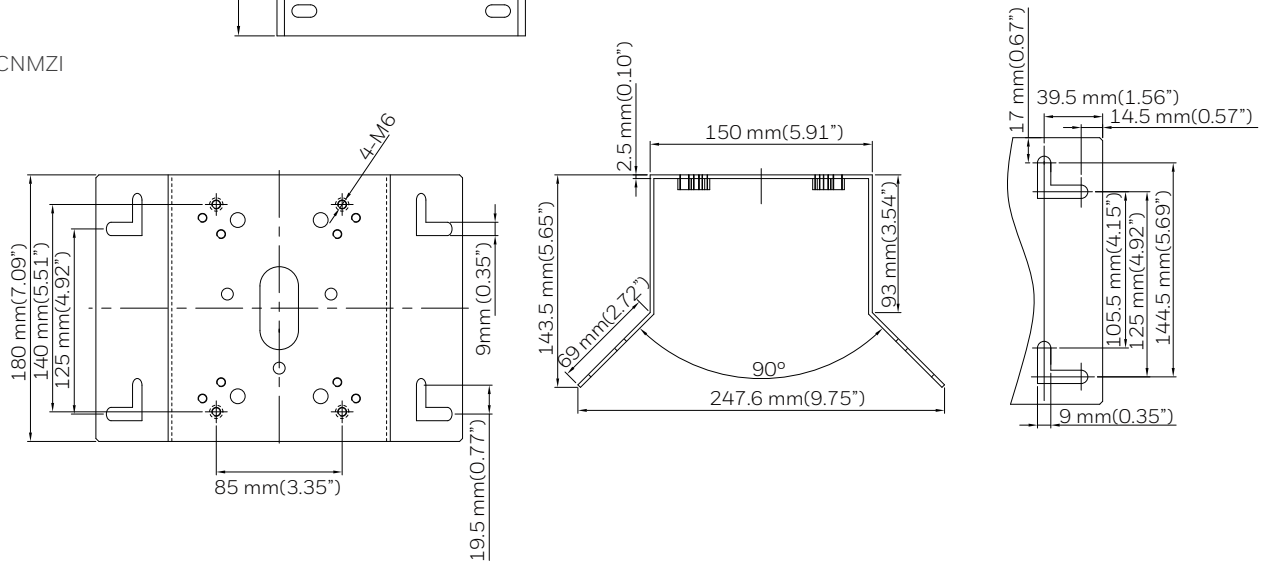
HA60PLMZB



HA60PLMZI



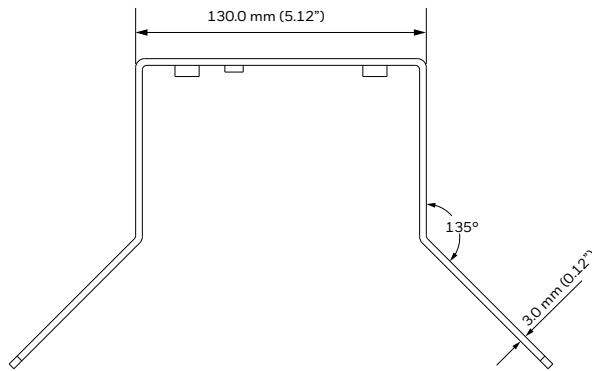
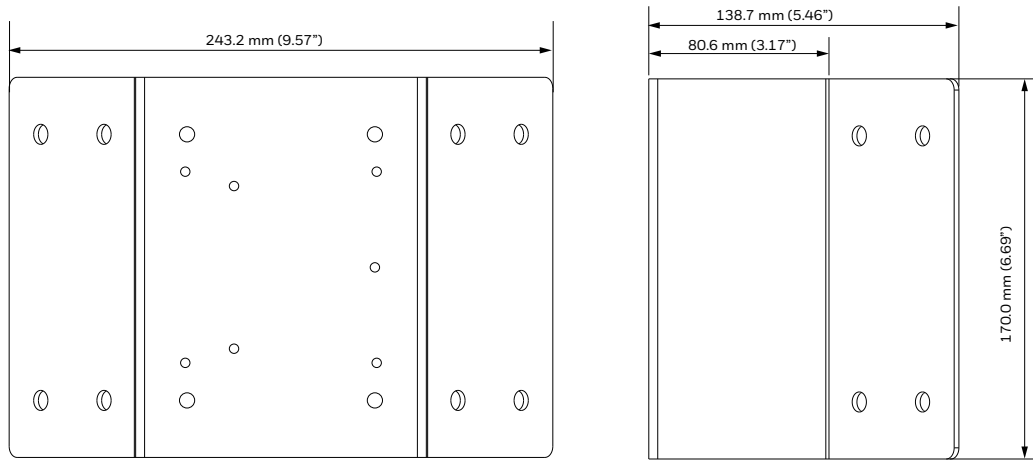
HA60CNMZI



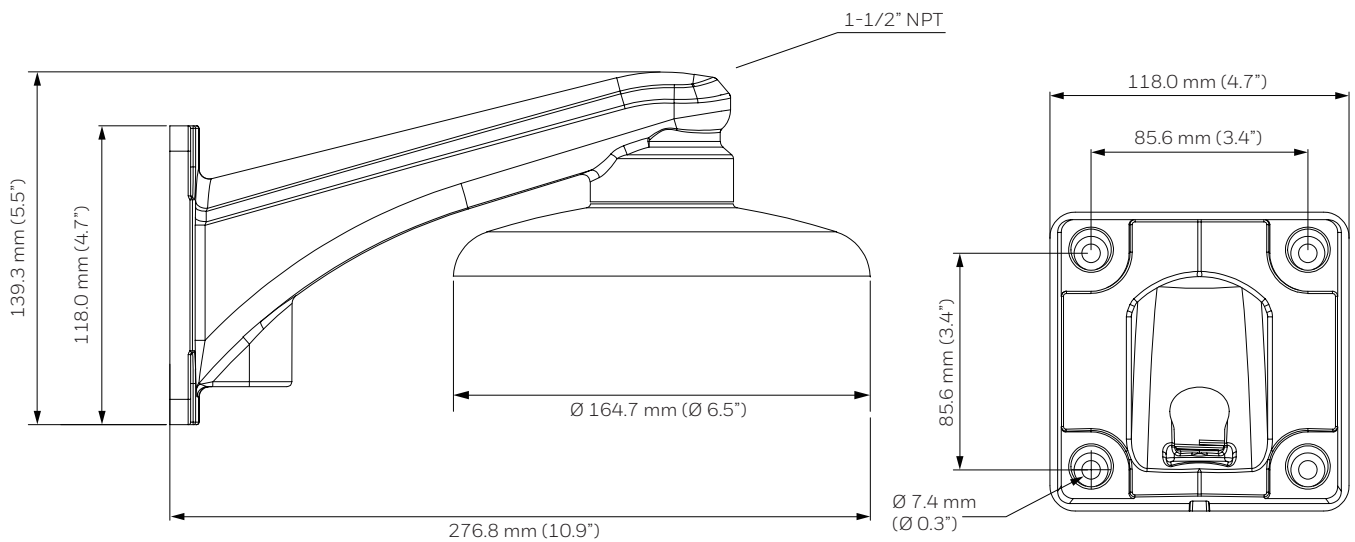
# MOUNTS AND ACCESSORIES

## DIMENSIONS

HA60CNMZ



HA60WLM4

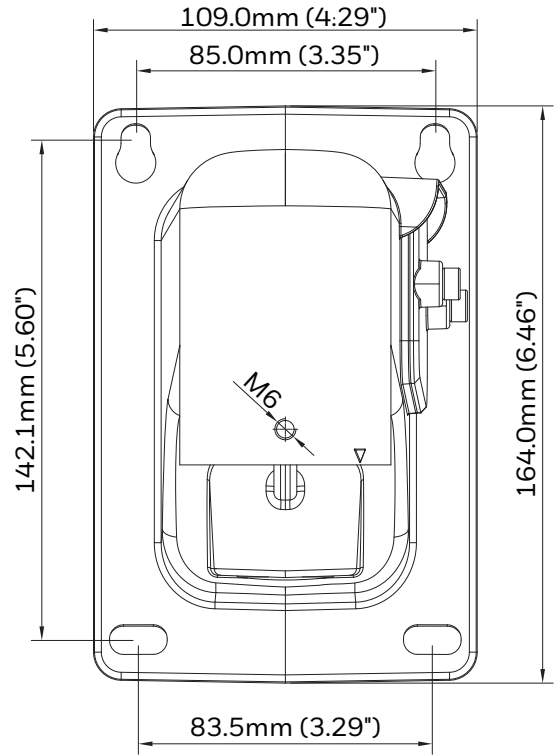
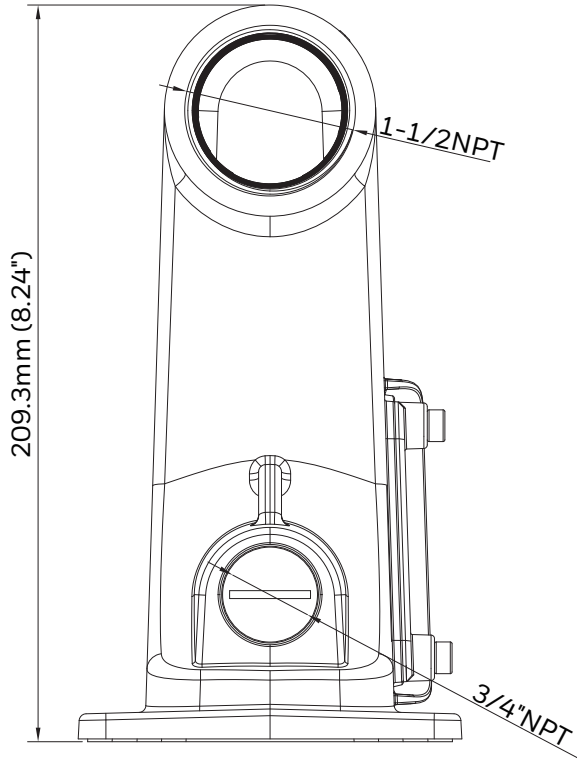




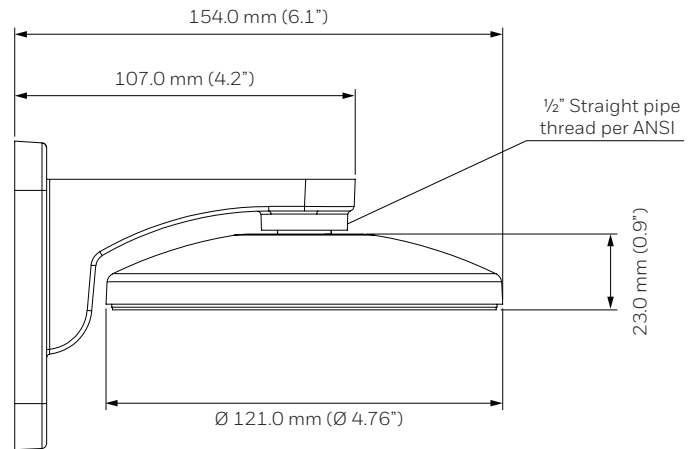
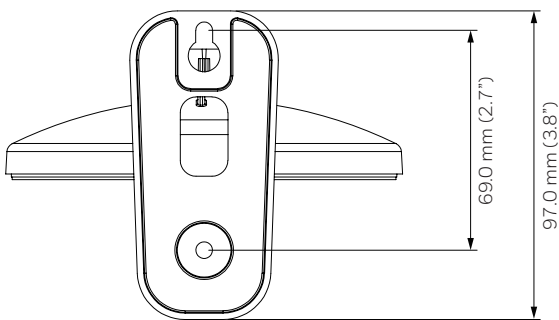
# MOUNTS AND ACCESSORIES

## DIMENSIONS

HA60WLMZI



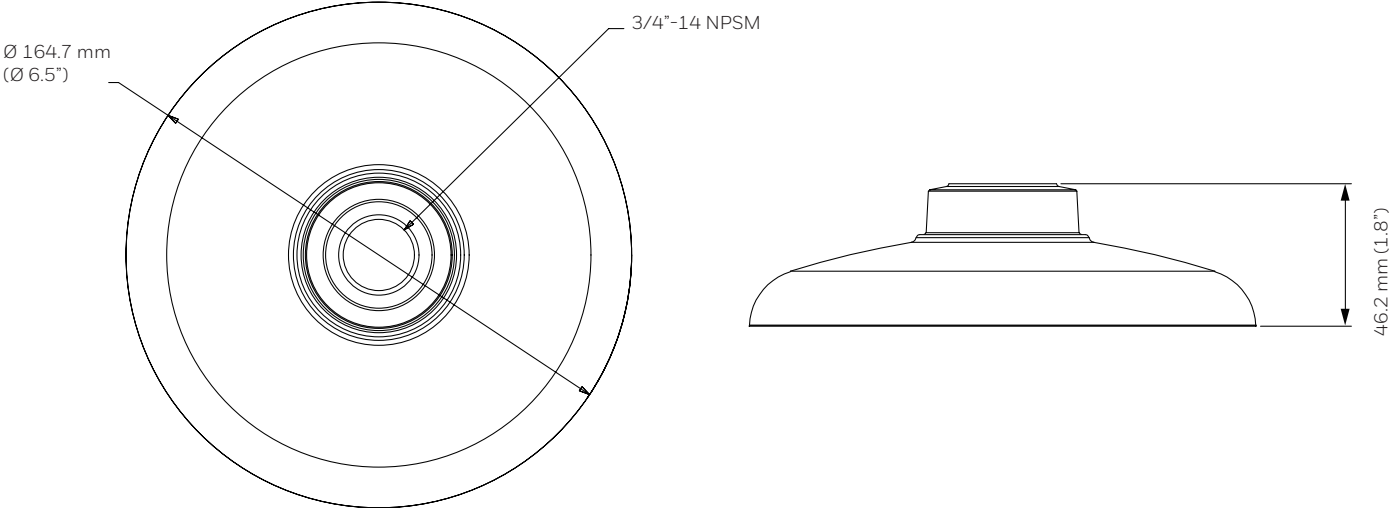
HA60WLM3



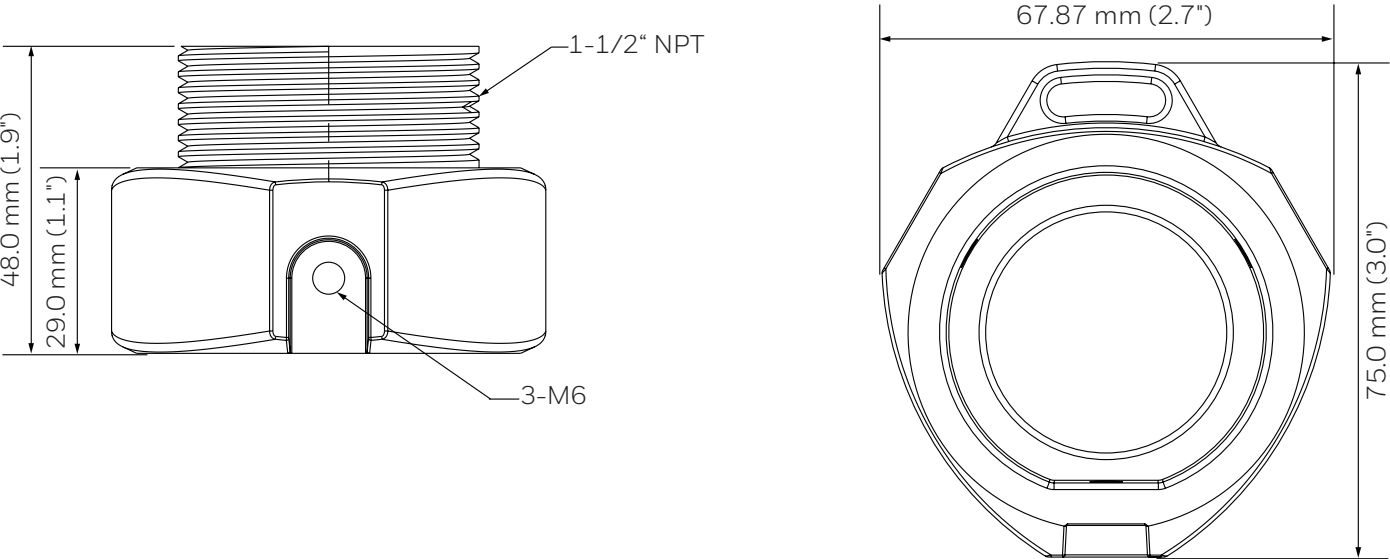
# MOUNTS AND ACCESSORIES

## DIMENSIONS

HA60PMC4



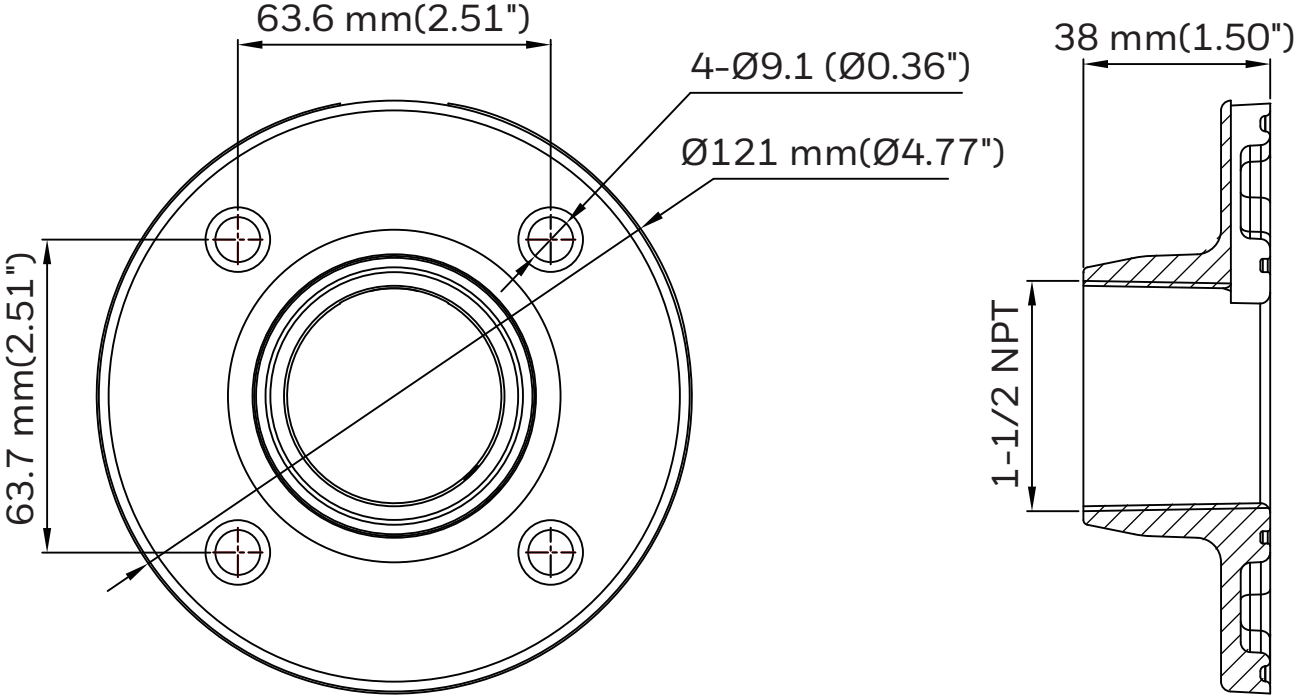
HA60NPTA



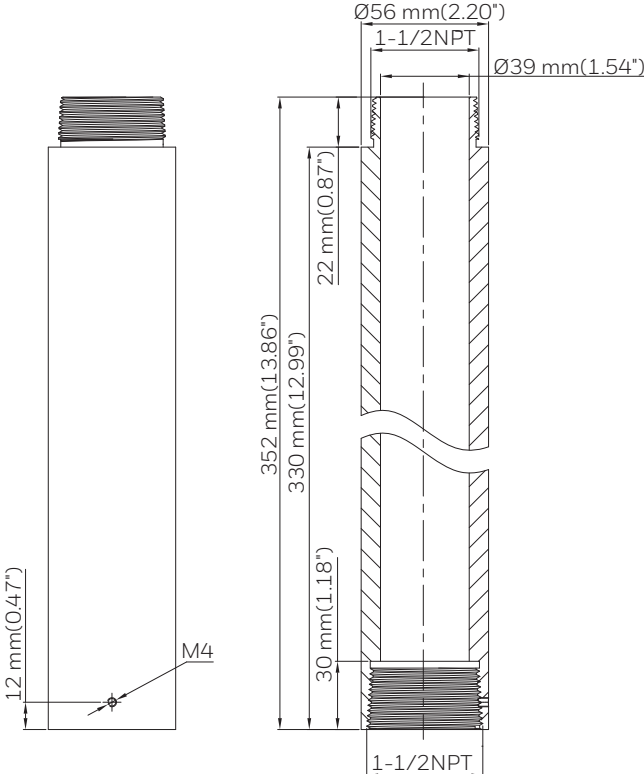
# MOUNTS AND ACCESSORIES

## DIMENSIONS

HA60CLM01



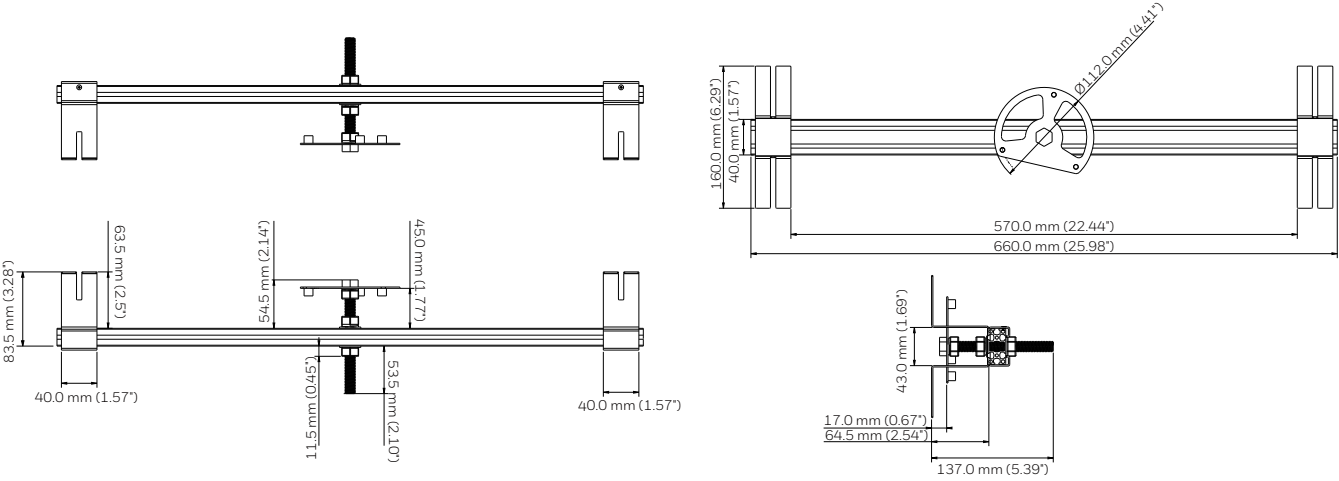
HA60CLM02



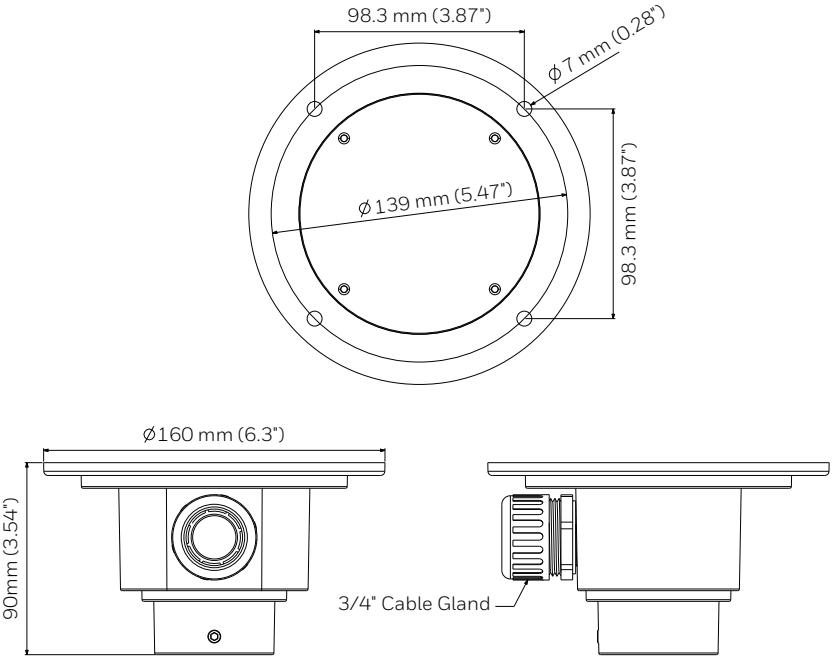
# MOUNTS AND ACCESSORIES

## DIMENSIONS

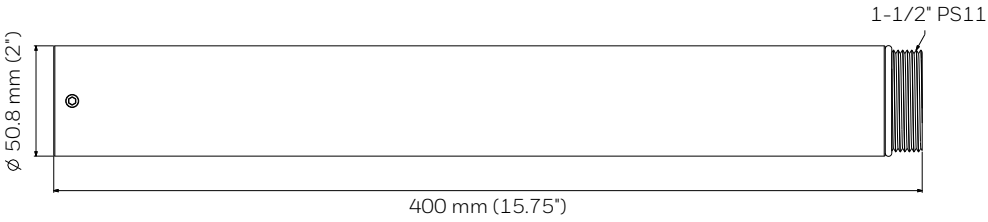
HA60ICMM



HA30PMB01



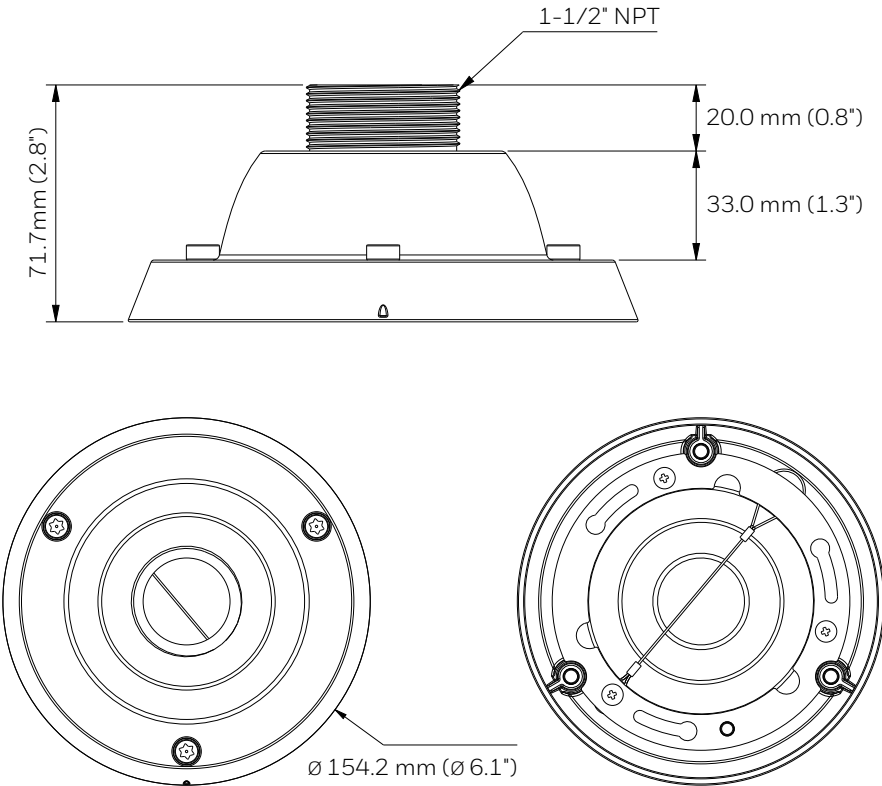
HA30PME02



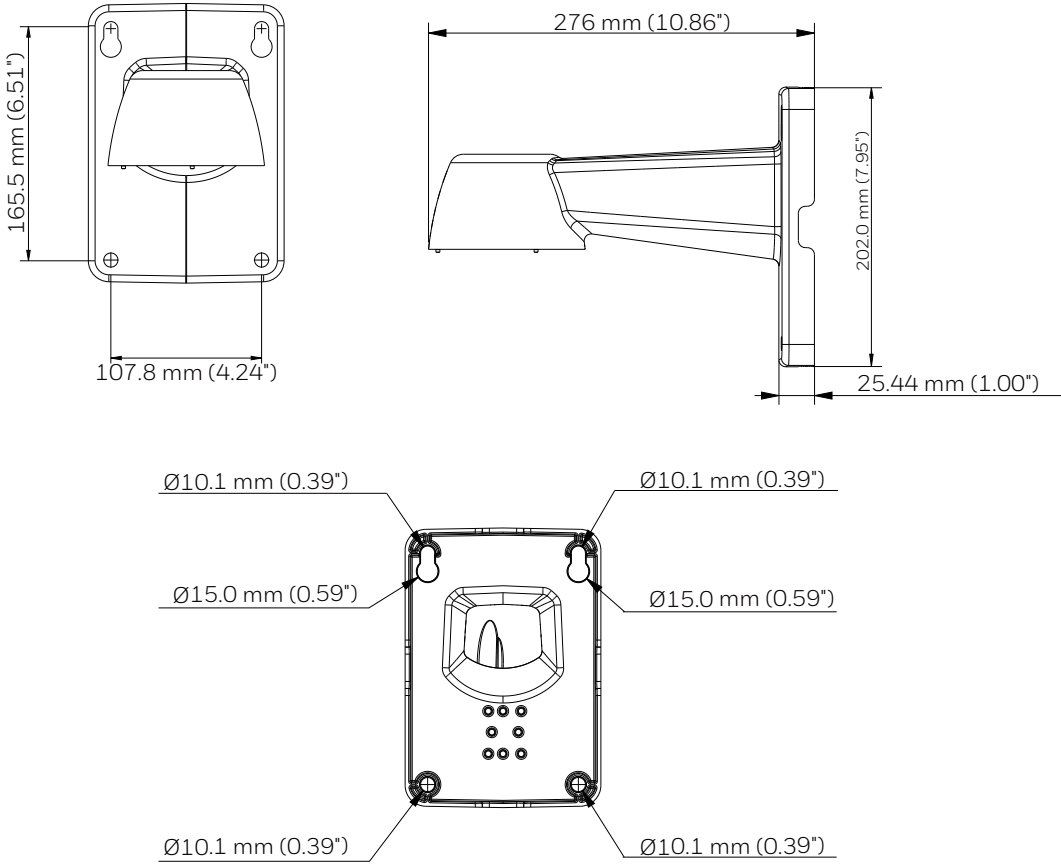
# MOUNTS AND ACCESSORIES

## DIMENSIONS

HA60PCMZ



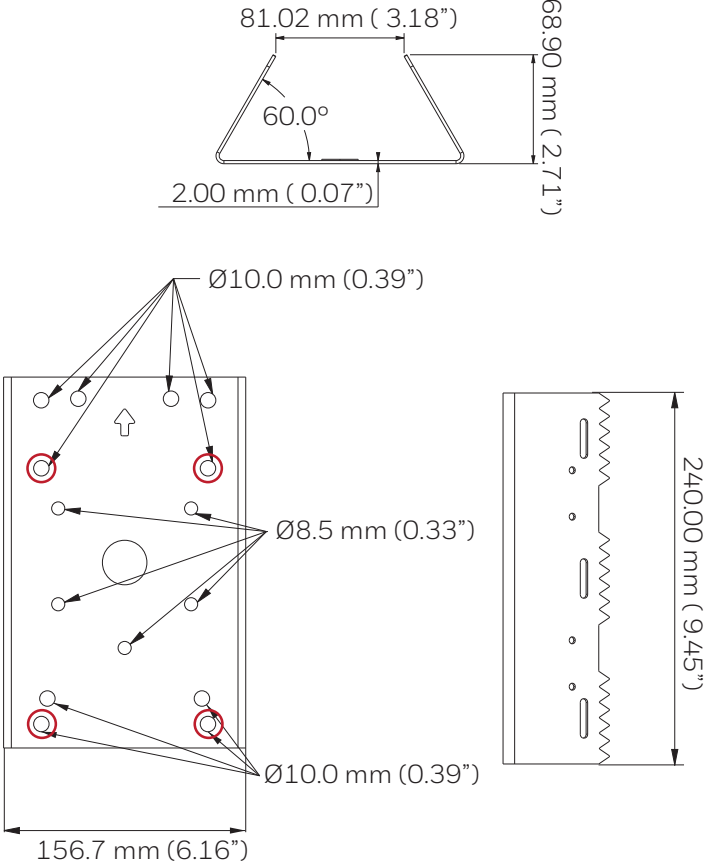
HA60MLMM



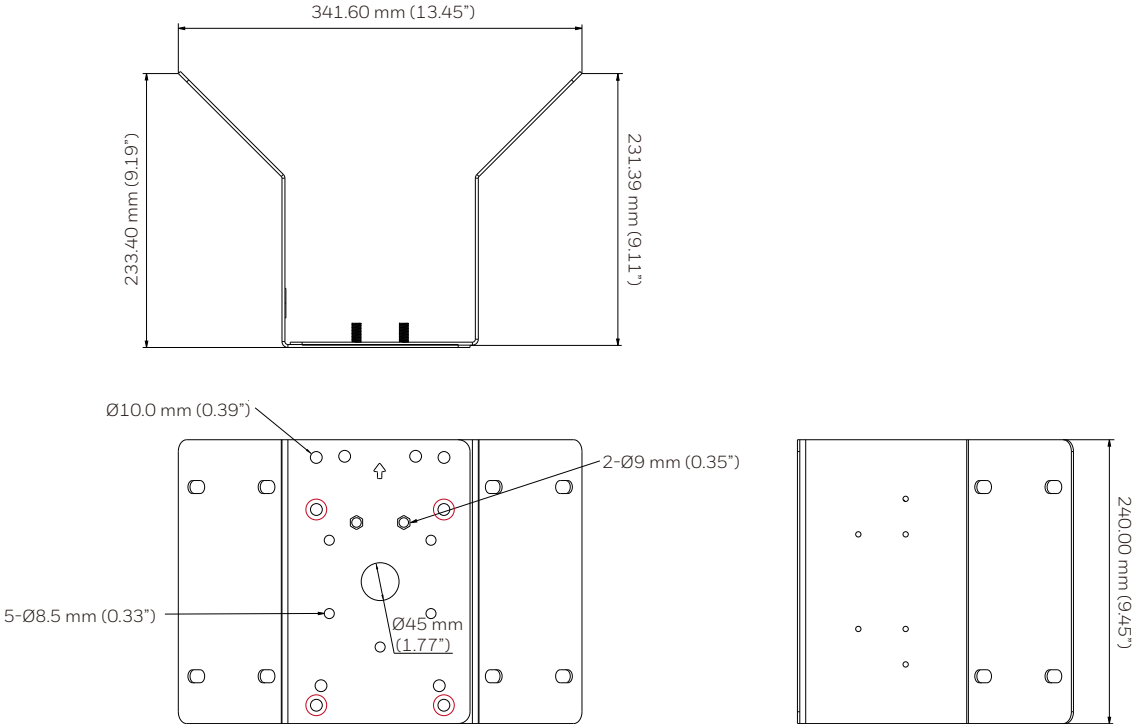
# MOUNTS AND ACCESSORIES

## DIMENSIONS

HA60PLMM



HA60CNMM



# MOUNTS AND ACCESSORIES

## ORDERING

MODEL	DESCRIPTION	MODEL	DESCRIPTION
HA60BB1	Junction box, 60 series outdoor bullet	HA60ICK	Indoor dome in-ceiling mount kit
HA60JCBH1	Dome junction box	HA60APR	Outdoor dome adapter plate and rubber
HA60PLMZB	PTZ pole mount bracket, white	HA60CLM01	PTZ pendent mounting base
HA60PLMZI	PTZ pole mount bracket, white	HA60CLM02	Pendent extension pipe
HA60CNMZ	PTZ corner mount bracket, white	HA60ICMM	Multi-sensor in-ceiling mount bracket
HA60CNMZI	PTZ corner mount bracket, white	HA30PMB01	Pendent mount base
HA60WLMZI	PTZ wall mount bracket, white	HA30PME02	Pendent mount extend bracket
HA60WLM3	Wall mount bracket for 3 inch dome, white	HA60CNMM	Multi-sensor corner mount bracket
HA60WLM4	Wall mount bracket for 4 inch dome, white	HA60PCMZ	Pendent mount cap
HA60PMC4	Pendent mount adapter, 1.5NPT(outside), 3/4NPT (inside)	HA60MLMM	Multi-sensor camera wall mount bracket
HA60NPTA	NPT adapter, 1.5NPT	HA60PLMM	Multi-sensor pole mount bracket
HA60WIF	Wifi dongle and USB adapter for camera configuration		
HA60CB4	Replacement dome, 60 series outdoor bubble (Clear)		
HA60SB3	Replacement dome, 60 series indoor bubble (Smoke)		
HA60SB4	Replacement dome, 60 series outdoor bubble (Smoke)		

### For more information

[buildings.honeywell.com/security](https://buildings.honeywell.com/security)

### Building Automation

Commercial Security  
715 Peachtree St. NE  
Atlanta, GA 30308  
1.800.323.4576

Honeywell reserves the right, without notification, to make changes in product design or specifications.

HBT-SEC-60S-MNTS-ACC-03-US(0324)DS-Y  
© 2024 Honeywell International Inc.

