



SBP-250WMW

Wall&Pole Mount



Key Features

- Color : White
- Mount screw size : TR30
- Max. load : 20kg
- Conduit hole : M25, 3pcs
- ※ Wall&Pole adaptor should be prepared for some cases
- PTZ plus : SBP-115PA needed
- Hanging adaptor : SBP-115PFA needed

SBP-250WMW

Wall&Pole Mount



Specifications

Mechanical	
Color	White
Material	Aluminum, Polycarbonate(PC)
RAL code	RAL9003
Product dimensions / weight	318.5x137x183mm(12.54x5.39x7.2") / 1,940g (4.27lb)
Mount Screw size	TR30
Max. load	20kg
Conduit hole	19.1mm(3/4")(M25), 3pcs
Supported products	- Adaptor : SBP-115PFA, SBP-115PA ※ For further compatible models, please visit our website or use Toolbox

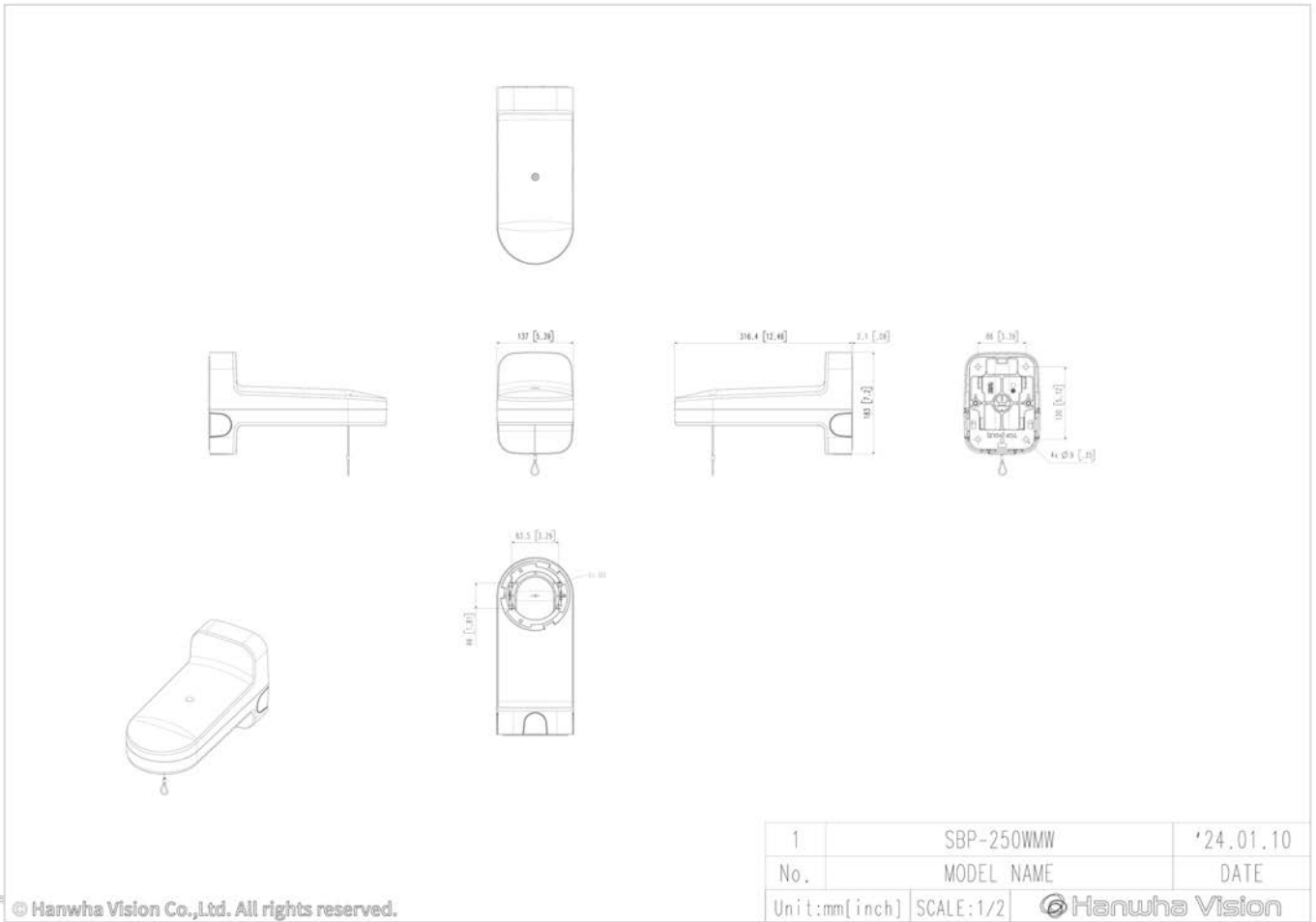
SBP-250MMW

Wall&Pole Mount



CAD

Unit:mm [inch]



© Hanwha Vision Co.,Ltd. All rights reserved.