



# SBV-253WCW

Back Box

FC |  | CE | ENEC

## Key Features

- Material: Polycarbonate(PC)
- Dimensions: 248(W) x 107.8(H) x 175.2(D)mm(9.76"x4.24"x6.9")
- Weight: 200g (0.44lb)
- Color: White

# SBV-253WCW

Back Box



## Specifications

### Mechanical

<b>Color</b>	White
<b>Material</b>	Polycarbonate(PC)
<b>RAL code</b>	RAL9003
<b>Product dimensions / weight</b>	248(W) x 107.8(H) x 175.2(D)mm(9.76"x4.24"x6.9") / 200g (0.44lb)
<b>Supported products</b>	PNM-9031RV/PNM-9022V ※ For further compatible models, please visit our website or use Toolbox

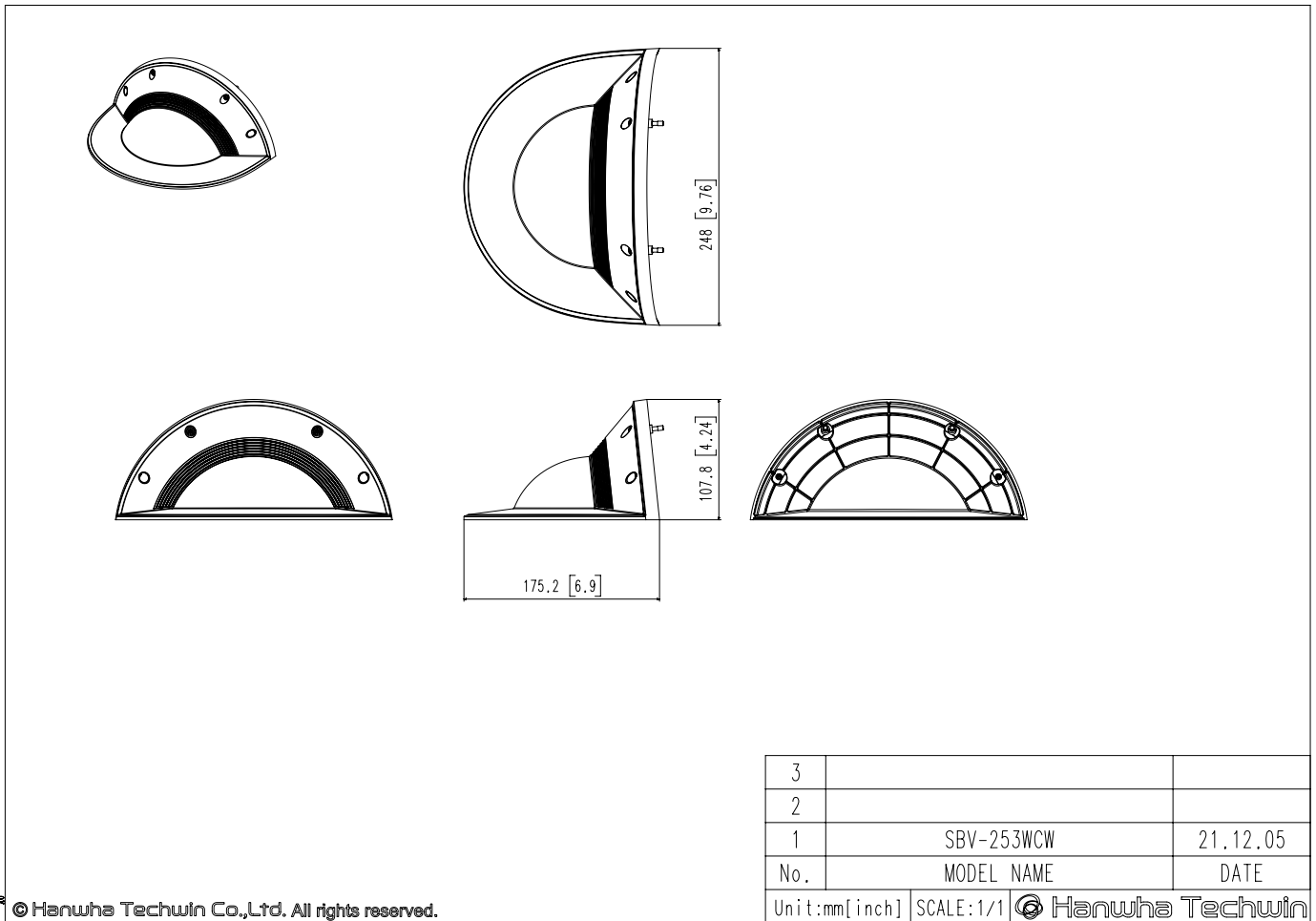
# SBV-253WCW

Back Box



CAD

Unit: mm [inch]



© Hanwha Techwin Co.,Ltd. All rights reserved.