



SBV-161WCW

Back Box

FC |  | CE | ENEC

Key Features

- Material: Polycarbonate(PC)
- Dimensions: 155.3(W) x 95.8(H) x 62.2(D)mm(6.11"x3.77"x2.45")
- Weight: 49g (0.11lb)
- Color: White

SBV-161WCW

Back Box



Specifications

Mechanical

| | |
|------------------------------------|---|
| Color | White |
| Material | Polycarbonate(PC) |
| RAL code | RAL9003 |
| Product dimensions / weight | 155.3(W) x 95.8(H) x 62.2(D)mm(6.11"x3.77"x2.45") / 49g (0.11lb) |
| Supported products | XNV-C6083R/C7083R/C8083R/C9083R ※ For further compatible models, please visit our website or use Toolbox |

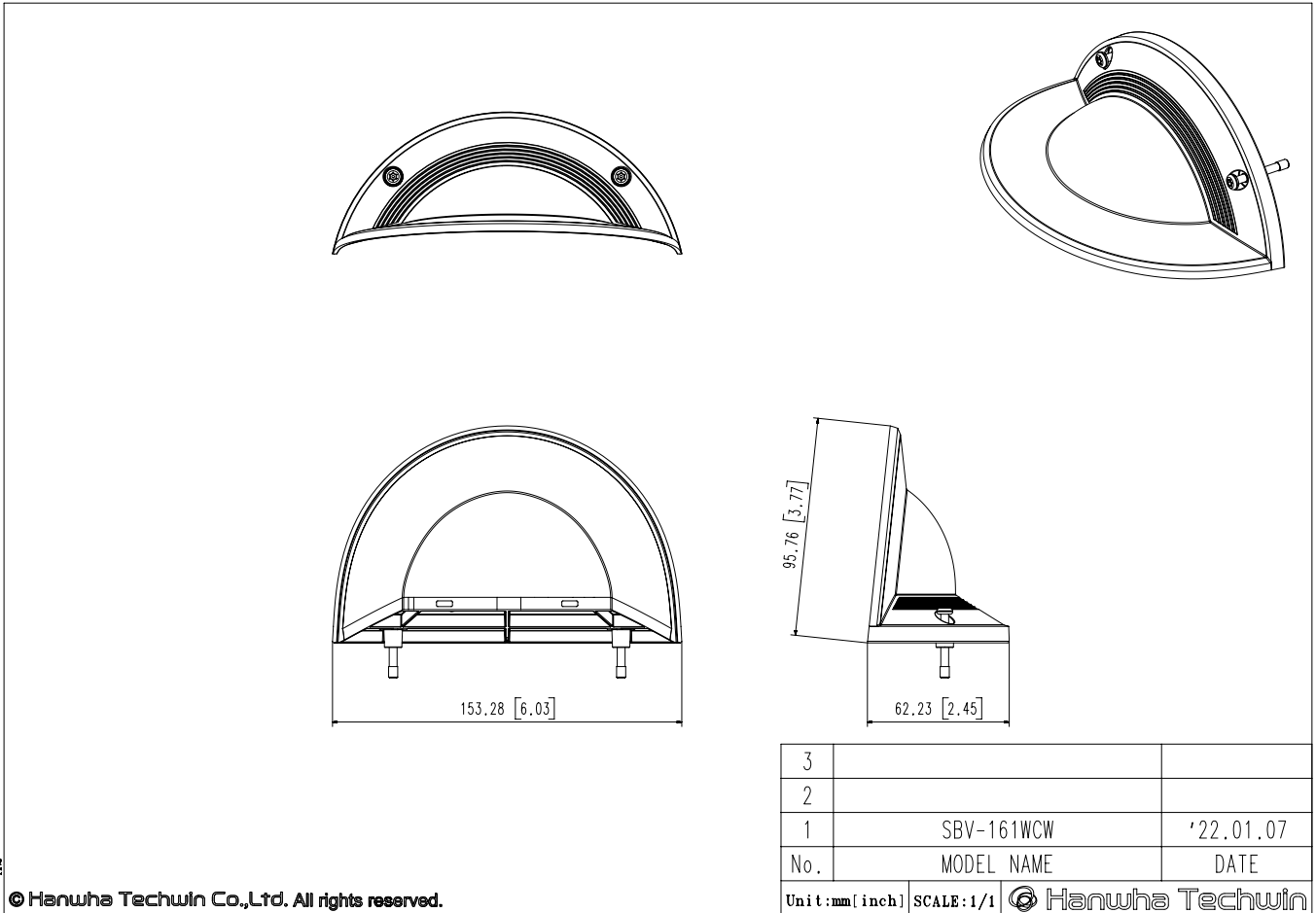
SBV-161WCW

Back Box



CAD

Unit: mm [inch]



A2

© Hanwha Techwin Co., Ltd. All rights reserved.