

# SHD-1128FPW

In-ceiling Housing



FC | UL LISTED | CE | ENEC

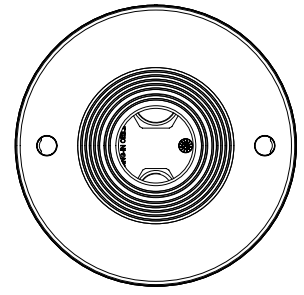
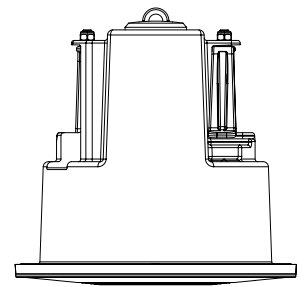
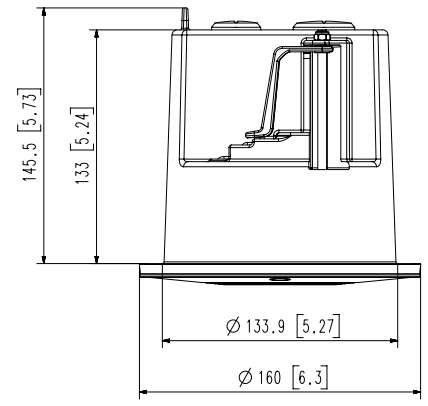
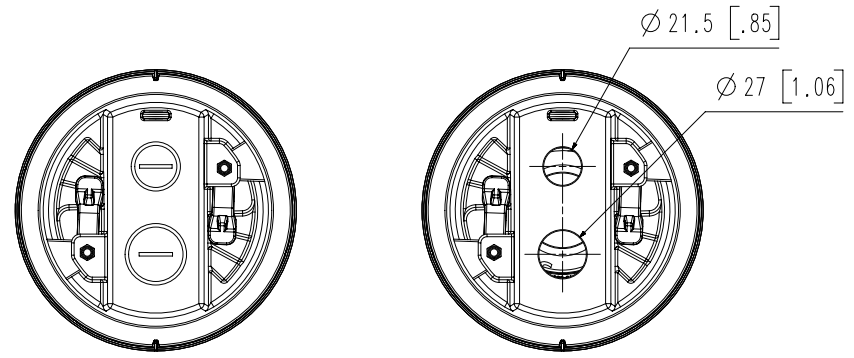
## Key Features

- Enclosure: Aluminum / Top cover : Polycarbonate (PC)
- Dimensions : Ø160mm x H145.5mm (6.30" x 5.73")
- Weight : 692g (1.53 lb)
- Color : White
- Universal Housing (Supports various camera models with one housing)
- QR installation guide support

**Mechanical**

<b>Color</b>	White
<b>Material</b>	Enclosure : Aluminum Top cover : Polycarbonate(PC)
<b>RAL code</b>	RAL9003
<b>Product dimensions / weight</b>	Ø160x145.5mm (Ø6.30x5.73") / 692g(1.53 lb)
<b>Tile thickness</b>	5~70mm
<b>Conduit hole</b>	19.1mm(3/4") (M25) 12.7mm(1/2") (M20)
<b>Supported products</b>	QND-8021/8011/6021/6011 XND-8040R/8030R/8020R/6020R/6010  ※ For further compatible models, please visit our website or use Toolbox

- The latest product information / specification can be found at [hanwha-security.com](http://hanwha-security.com)
- Design and specifications are subject to change without notice.
- Wisenet is the proprietary brand of Hanwha Techwin, formerly known as Samsung Techwin.



3		
2		
1	SHD-1128FPW	'21.06.03
No.	MODEL NAME	DATE
Unit:mm[inch]		SCALE:1/2
Hanwha Techwin		

A2

© Hanwha Techwin Co.,Ltd. All rights reserved.