

Smoked Dome Cover

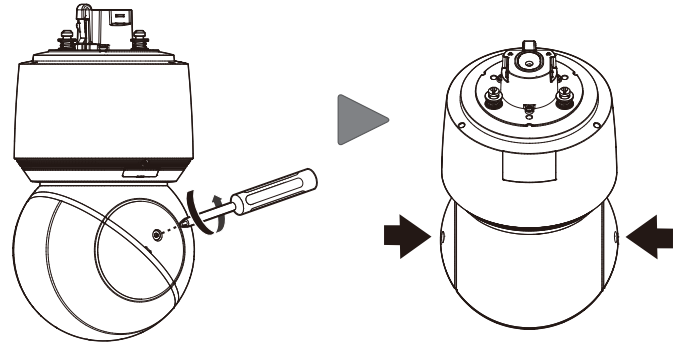
SPB-PTZ85W



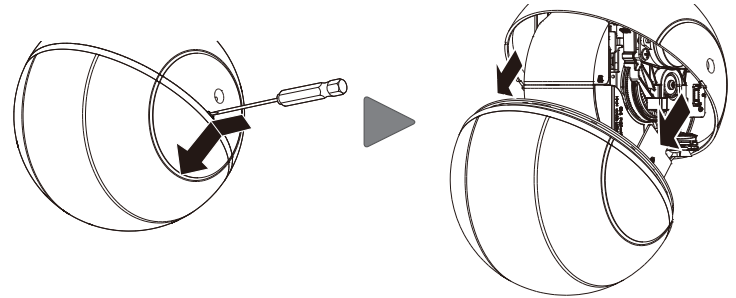
Installation

Removing the dome cover

- 1 Use the Torx driver to remove both screws from the camera dome cover.

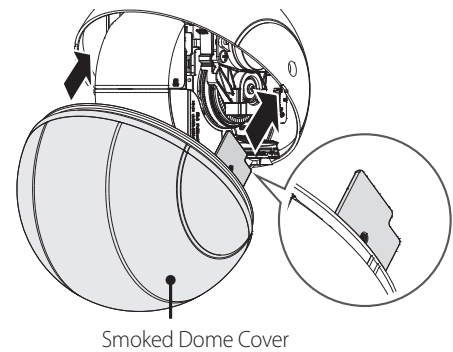


- 2 As shown below, use the flat-head screwdriver into the groove on the side of the dome cover to remove the dome cover.

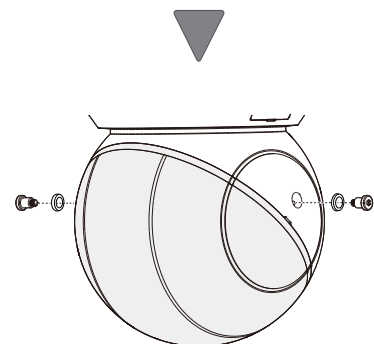


Assembling the Smoked Dome Cover

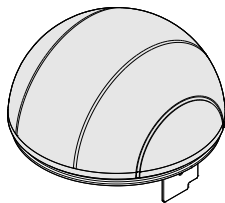
- 1 Fit the SMOKED DOME COVER into the place where the dome cover has been removed, and use the screws to join them. (When joining the SMOKED DOME COVER, be careful with the direction of the joined part.)



Smoked Dome Cover



Package



SMOKED DOME COVER
(SPB-PTZ85W)

Product Features

SPB-PTZ85W is a dome cover used when installing the WN7 PTZ camera as a Smoked dome camera.
(For compatible models, please visit our website.)

Installation Precautions

- If the product is installed with excessive force, it may cause damage to the camera due to malfunction.
- Forcing assembly using non-compliant tools may damage the product.
- When installing/removing the Smoked Dome Cover, make sure you put the product body on a flat ground before working on it in order to prevent accidents due to loss or drop of any parts.
- Image quality and AF performance could get worse with Smoked dome cover.