

# SHP-1560FW

In-ceiling Housing



FC | UL LISTED | CE | ENEC

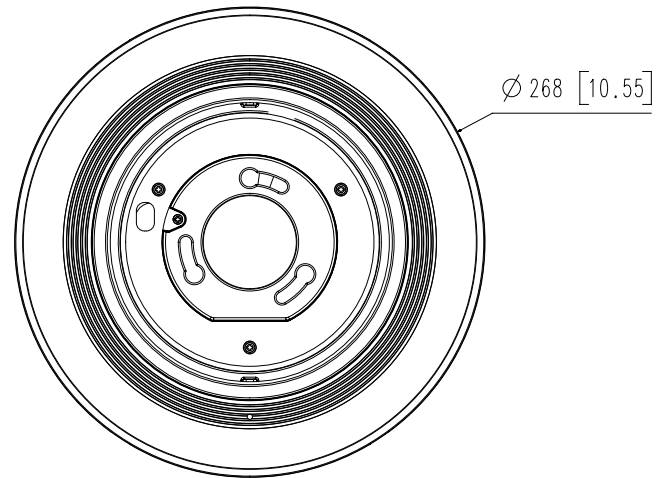
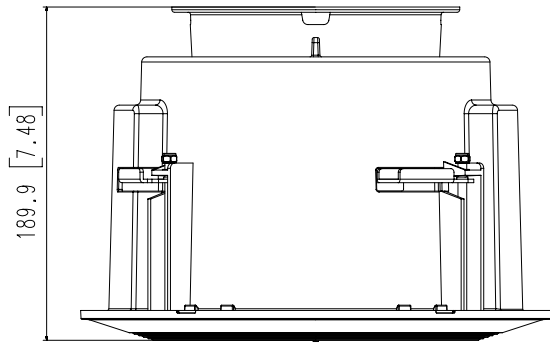
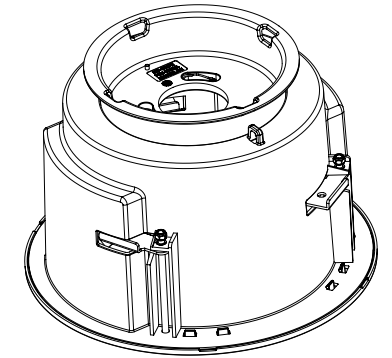
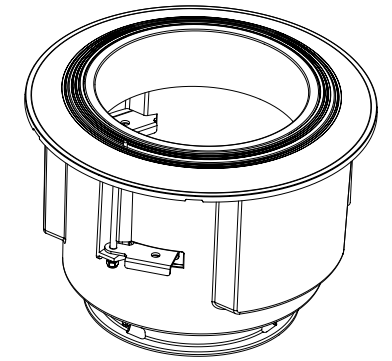
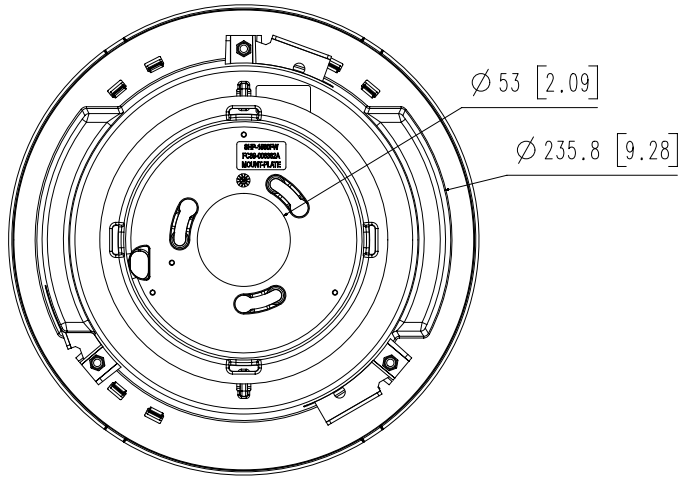
## Key Features

- Material : Plastic
- Dimensions : Ø268 x 316mm (0.55" x 12.44")
- Weight : 1,400g (3.09 lb)
- Color : White
- Supported products : XNP-9250, XNP-8250, XNP-6400
  - For further compatible models, please check out Wisenet Toolbox Plus

**Mechanical**

<b>Color</b>	White
<b>Material</b>	Plastic
<b>RAL code</b>	RAL9003
<b>Product dimensions / weight</b>	Φ268x316mm( Φ10.55x12.44")/1.4kg(3.09 lb)
<b>Supported products</b>	XNP-9250/8250/6400 ※ For further compatible models, please visit our website or use Toolbox

- The latest product information / specification can be found at [hanwha-security.com](http://hanwha-security.com)
- Design and specifications are subject to change without notice.
- Wisenet is the proprietary brand of Hanwha Techwin, formerly known as Samsung Techwin.



3		
2		
1	SHP-1560FW	'21.04.27
No.	MODEL NAME	DATE
Unit:mm[inch]		SCALE:1/1
Hanwha Techwin		