

SBP-160TMW1

Tilt Mount



FC |  | CE | ENEC

Key Features

- Material: Aluminum
- Dimensions : Ø160.0 x 57.6mm (6.30" x 2.27")
- Weight : 325g (0.72 lb)
- Color : White
- Supported products : PND-A9081RV, XND-6081REV, XND-6081RV, XND-6081V, XND-6081Z, XND-8081REV, XND-8081RV, XND-8081VZ, XND-8082RV, XND-9082RV, XNF-9010RV, XNR-9010RVM
- For further compatible models, please check out Wisenet Toolbox Plus

Environmental

Operating Temperature / Humidity	-50°C ~ +60°C(-58°F ~ +140°F) / Less than 100% RH
---	---

Storage Temperature / Humidity	-50°C ~ +60°C(-58°F ~ +140°F) / Less than 100% RH
---------------------------------------	---

Mechanical

Color	White
--------------	-------

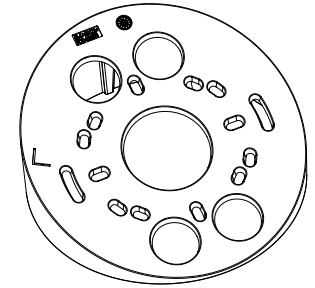
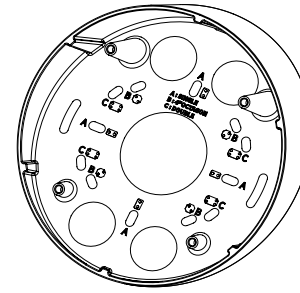
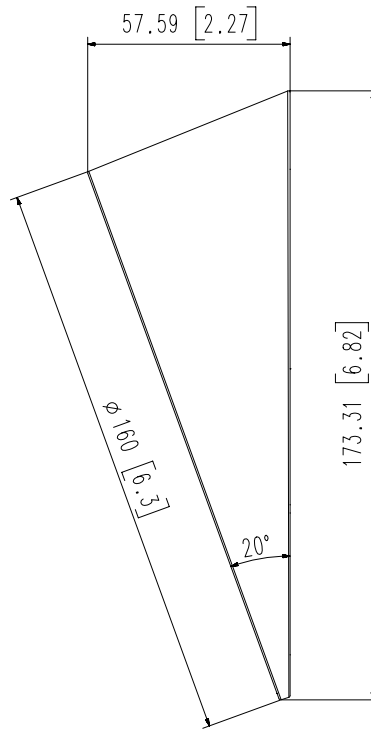
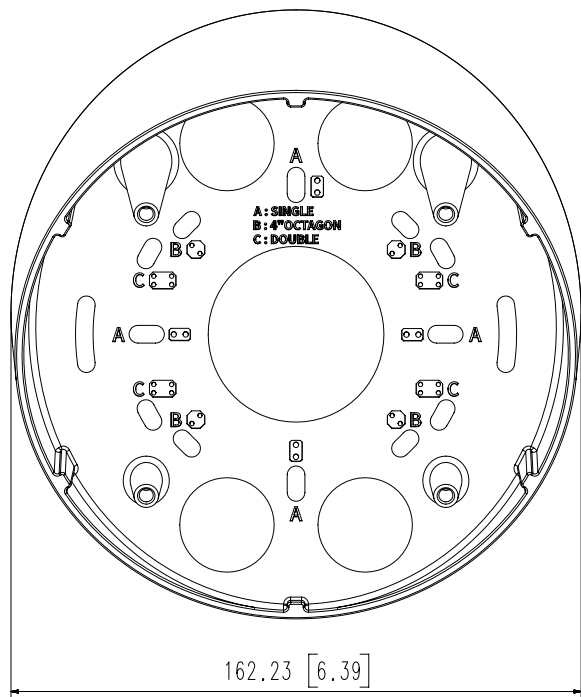
Material	Aluminum
-----------------	----------

RAL code	RAL9003
-----------------	---------

Product dimensions / weight	Ø160.0x57.6mm(6.30x2.27"), 325g(0.72 lb)
------------------------------------	--

Supported products	XNF-9010RV ※ For further compatible models, please visit our website or use Toolbox
---------------------------	--

- The latest product information / specification can be found at hanwha-security.com
- Design and specifications are subject to change without notice.
- Wisenet is the proprietary brand of Hanwha Techwin, formerly known as Samsung Techwin.



A2

© Hanwha Techwin Co., Ltd. All rights reserved.

3	파생 MODEL 2	
2	파생 MODEL 1	
1	SBP-160TMW1	'21.02.15
No.	MODEL NAME	DATE
Unit:mm[inch] SCALE:1/1		Hanwha Techwin