

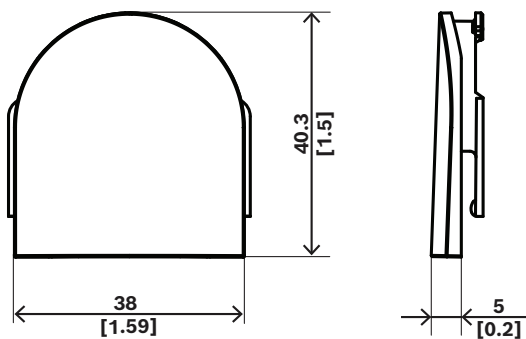
NDA-5070-COV Conduit cover for NDE-570*, 50pcs



- ▶ Easy-to-install
- ▶ Additional choice for conduit covers without the need for a smaller removable version
- ▶ Applicable for the FLEXIDOME outdoor 5100i and FLEXIDOME outdoor 5100i IR cameras

This easy-to-install conduit cover is designed for the FLEXIDOME outdoor 5100i and FLEXIDOME outdoor 5100i IR cameras, offering an additional choice for conduit covers without the need for a smaller removable version which can meet the diverse application requirements in the market.

Installation/configuration notes



mm[in]

Dimensions in mm (inch)

Parts included

Quantity	Component
50	Conduit cover

Technical specifications

Mechanical

Dimensions (H x W x D) (mm)	40.3 mm x 38 mm x 5 mm
Dimensions (H x W x D) (in)	1.59 in x 1.5 in x 0.2 in
Weight (g) per piece	4 g
Weight (lb) per piece	0.0088 lb
Material	Plastic
Color in RAL	RAL 9003 Signal white

Ordering information

NDA-5070-COV Conduit cover for NDE-570*, 50pcs
 Conduit cover without knockout for FLEXIDOME outdoor 5100i and FLEXIDOME outdoor 5100i IR
 Order number **NDA-5070-COV | F.01U.416.693**

Represented by:

Europe, Middle East, Africa:
 Bosch Security Systems B.V.
 P.O. Box 80002
 5600 JB Eindhoven, The Netherlands
 Phone: + 31 40 2577 284
www.boschsecurity.com/xc/en/contact/
www.boschsecurity.com

Germany:
 Bosch Sicherheitssysteme GmbH
 Robert-Bosch-Ring 5
 85630 Grasbrunn
 Tel.: +49 (0)89 6290 0
 Fax: +49 (0)89 6290 1020
de.securitysystems@bosch.com
www.boschsecurity.com

North America:
 Bosch Security Systems, LLC
 130 Perinton Parkway
 Fairport, New York, 14450, USA
 Phone: +1 800 289 0096
 Fax: +1 585 223 9180
onlinehelp@us.bosch.com
www.boschsecurity.com

Asia-Pacific:
 Robert Bosch (SEA) Pte Ltd, Security Systems
 11 Bishan Street 21
 Singapore 573943
 Phone: +65 6571 2808
 Fax: +65 6571 2699
www.boschsecurity.com/xc/en/contact/
www.boschsecurity.com