

NDA-FMT-MICDOME In-ceiling mount

www.boschsecurity.com



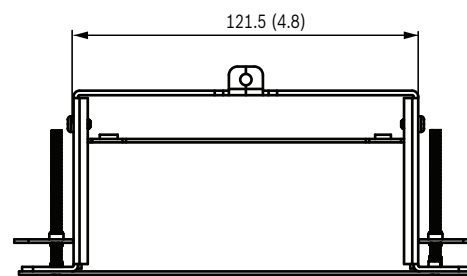
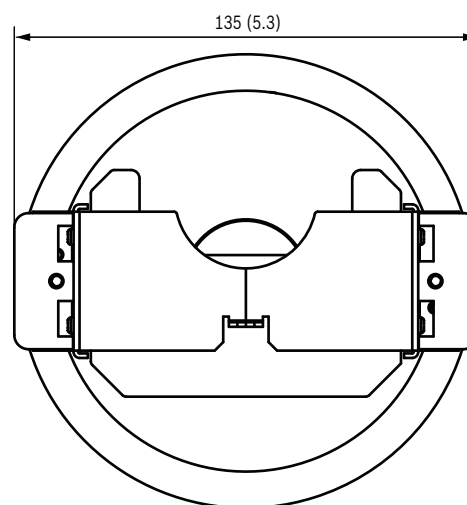
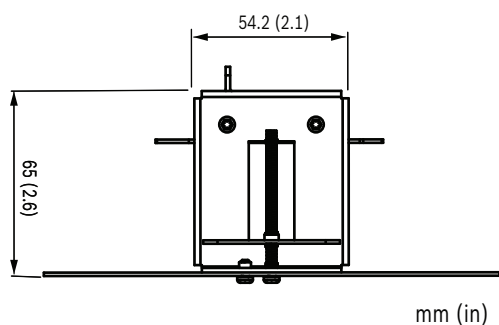
BOSCH
Invented for life



- ▶ Easy installation
- ▶ Attractive appearance
- ▶ Sturdy construction

This mount is suitable for installing microdome cameras flush in a ceiling.

Installation/configuration notes



Parts included

The packaging contains:

- In-ceiling mount
- Trim plates (x 2)
- Quick install instructions
- Accessory bag containing:
 - M3 screws (x 2)
 - M4 screws (x 2)
 - Ear (x 2)

Technical specifications

Diameter ceiling hole	Ø135 mm (Ø5.3 in)
Height of mount	65 mm (2.6 in)
Weight	0.41 kg (0.9 lb)
Finish (trim rings)	RAL 9003 (signal white)
Material (mount)	Steel
Material (trim plate)	SECC

Ordering information

NDA-FMT-MICDOME In-ceiling mount

In-ceiling flush mounting kit for microdome cameras
(Ø135 mm)

Order number **NDA-FMT-MICDOME**

Represented by:

Americas:

Bosch Security Systems, Inc.
130 Perinton Parkway
Fairport, New York, 14450, USA
Phone: +1 800 289 0096
Fax: +1 585 223 9180
security.sales@us.bosch.com
www.boschsecurity.us

Europe, Middle East, Africa:

Bosch Security Systems B.V.
P.O. Box 80002
5617 BA Eindhoven, The Netherlands
Phone: + 31 40 2577 284
Fax: +31 40 2577 330
emea.securitysystems@bosch.com
www.boschsecurity.com

Asia-Pacific:

Robert Bosch (SEA) Pte Ltd, Security
Systems
11 Bishan Street 21
Singapore 573943
Phone: +65 6571 2808
Fax: +65 6571 2699
apr.securitysystems@bosch.com
www.boschsecurity.asia

China:

Bosch (Shanghai) Security Systems Ltd.
203 Building, No. 333 Fuquan Road
North IBP
Changning District, Shanghai
200335 China
Phone +86 21 22181111
Fax: +86 21 22182398
www.boschsecurity.com.cn

America Latina:

Robert Bosch Ltda Security Systems Division
Via Anhanguera, Km 98
CEP 13065-900
Campinas, Sao Paulo, Brazil
Phone: +55 19 2103 2860
Fax: +55 19 2103 2862
latam.boschsecurity@bosch.com
www.boschsecurity.com