

AXIS T6112 Mk II Audio and I/O Interface

Seamlessly add a microphone and I/O to your Axis cameras

AXIS T6112 Mk II adds a microphone and I/O connectivity to your Axis cameras that do not have these capabilities already built-in. With portcast technology, this device uses the camera's IP address and allows it to provide seemingly camera-integrated microphone and I/O connectivity, enabling audio and video in one stream over the network. With a discreet casing, this device is suitable for indoor installation on a wall or ceiling. It can be installed anywhere between the switch and Axis camera, providing the microphone right where you want it.

- > [Add microphone and I/O to Axis cameras](#)
- > [No need for additional IP address](#)
- > [One stream for audio and video](#)
- > [Plug-and-play installation](#)

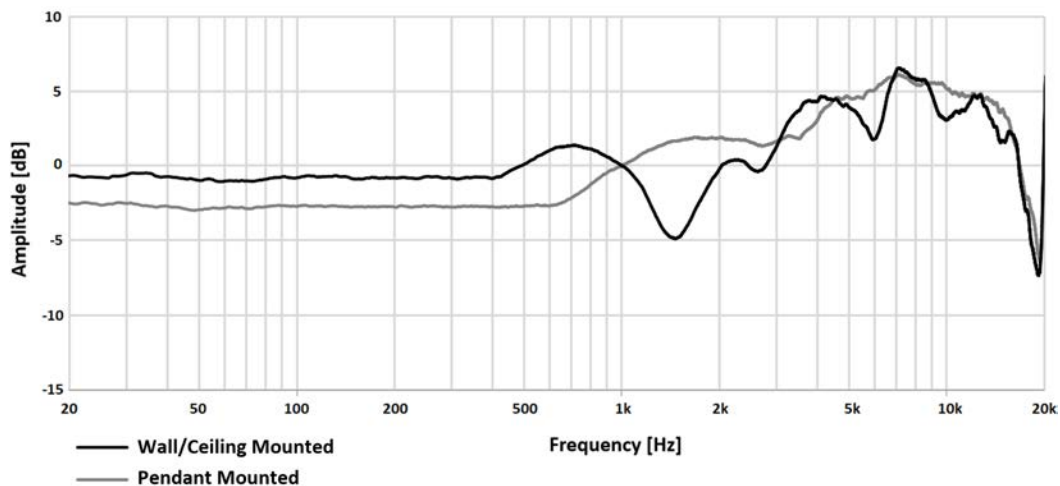


AXIS T6112 Mk II Audio and I/O Interface

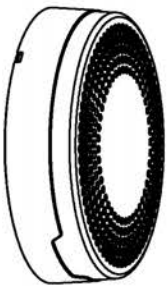
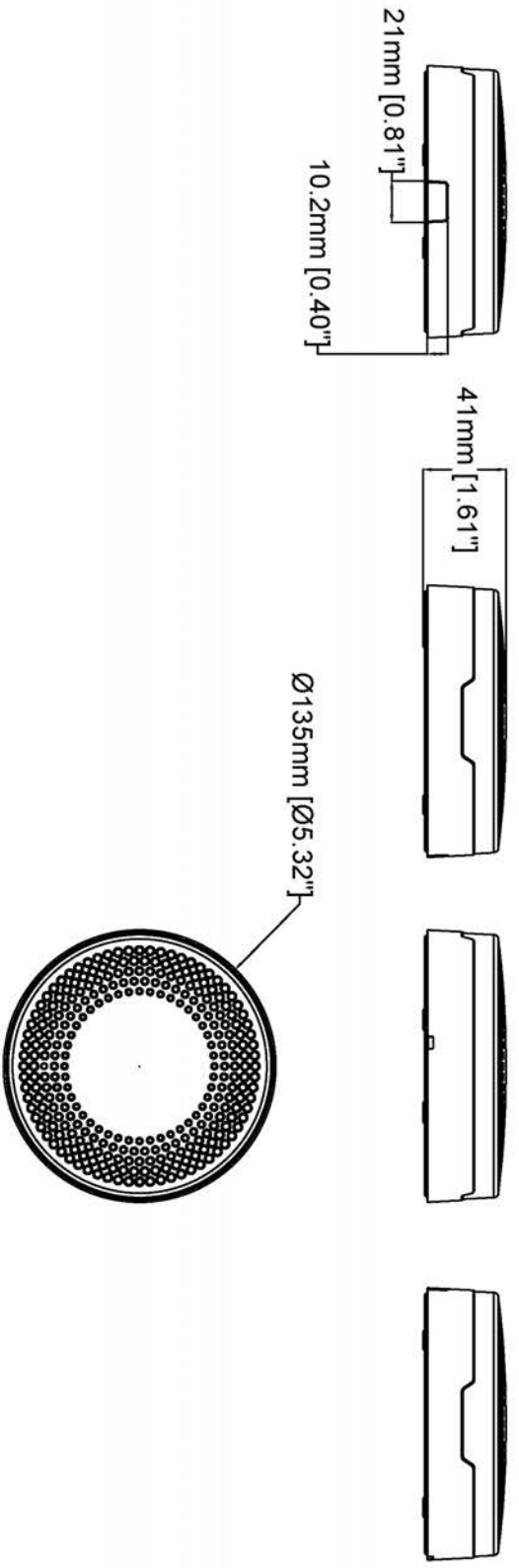
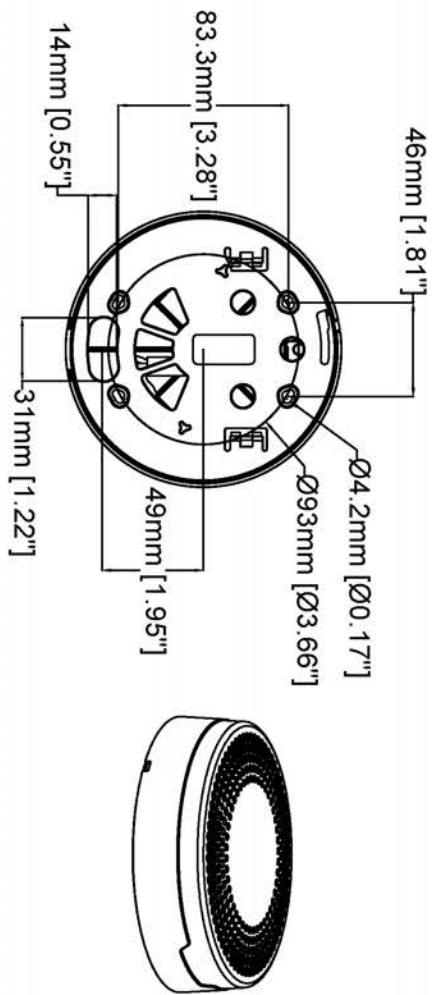
Audio	
Audio streaming	Two-way, voice enhancement
Audio encoding	AXIS T61 series has potential support for: 16 bit LPCM, AAC-LC 8/16/32/44.1/48 kHz, G.711 PCM 8 kHz, G.726 ADPCM 8 kHz, Opus 8/16/48 kHz Configurable bitrate
Audio input/output	2x external microphone input or line input, line output, digital input with ring power, automatic gain control
Microphone	
Sensitivity	-31.8 dBFS A at 0 dB gain
Max SPL	121 dB at 0 dB gain
SNR	66.5 dB at 30 dB gain
I/O interface	
I/O functionality	Two configurable supervised inputs/digital outputs 12 V DC output, max load 50 mA,
Network – with supported camera	
Security	Password protection, IP address filtering, HTTPS ^a encryption, IEEE 802.1X ^a network access control, digest authentication, user access log, centralized certificate management
Network protocols	IPv4, IPv6 USGv6, ICMPv4/ICMPv6, HTTP, HTTPS ^a , HTTP/2, TLS ^a , QoS Layer 3 DiffServ, FTP, SFTP, CIFS/SMB, SMTP, mDNS (Bonjour), UPnP [®] , SNMP v1/v2c/v3 (MIB-II), DNS/DNSv6, DDNS, NTP, NTS, RTSP, RTP, SRTP/RTSPS, TCP, UDP, IGMPv1/v2/v3, RTCP, ICMP, DHCPv4/v6, ARP, SSH, LLDP, CDP, MQTT v3.1.1, Syslog, Link-Local address (ZeroConf), IEEE 802.1X (EAP-TLS), IEEE 802.1AR
System integration – with supported camera	
Application Programming Interface	Open API for software integration, including VAPIX [®] and AXIS Camera Application Platform; specifications at axis.com One-Click Connection
Analytics	Included Audio detection Supported Support for AXIS Camera Application Platform enabling installation of third-party applications, see axis.com/acap
Event triggers	Analytics, supervised external input
Event actions	External output activation, audio recording to edge storage, play audio clip
Data streaming	Event data
General	
Supported products	For a complete list of supported products, go to axis.com/products/axis-t6112-mk-ii-audio-and-io-interface Some products require an additional midspan for sufficient powering as stated on the concerned product's datasheet.
Casing	Polycarbonate casing, encapsulated electronics Color: White NCS S 1002-B

	For repainting instructions, go to the product's support page. For information about the impact on warranty, go to axis.com/warranty-implication-when-repainting .
Sustainability	PVC free, CFR/BFR free, 50% recycled plastic
Display and indicators	Multi color status LED (red, amber and green)
Power	Power over Ethernet (PoE) IEEE 802.3af/802.3at Type 1 Class 2, 3 or IEEE 802.3at Type 2 Class 4. ^b AXIS T6112 Mk II feeds power to the camera
Connectors	PoE in: RJ45 10BASE-T/100BASE-TX PoE out: RJ45 10BASE-T/100BASE-TX I/O: 4-pin 2.5 mm terminal block Audio: 3.5 mm mic/line in, 3.5 mm line out
Mounting	Connected anywhere between switch and camera.100 m (330 ft).
Operating conditions	-40 °C to 50°C (-40°F to 122F) Humidity 10–85% RH (non-condensing)
Storage conditions	-40 °C to 65 °C (-40 °F to 149 °F)
Approvals	EMC EN 55032 Class A, EN 55024, EN 61000-6-1, EN 61000-6-2, FCC Part 15 Subpart B Class A, ICES-003 Class A, VCCI Class A, RCM AS/NZS CISPR 32 Class A, KS C 9832 Class A, KS C 9835 Safety IEC/EN/UL 62368-1 Environment IEC 60068-2-1, IEC 60068-2-2, IEC 60068-2-6, IEC 60068-2-14, IEC 60068-2-27, IEC 60068-2-78
Edge security	Software: Signed firmware Hardware: Secure boot
Dimensions	Height: 41 mm, (1.61 in) ø 135 mm (5 5/16 in)
Weight	230 g (0.5 lb)
Included accessories	Installation guide, mounting bracket, I/O connector
Optional accessories	For more accessories, see axis.com
Video management software	With supported camera: AXIS Companion, AXIS Camera Station, video management software from Axis' Application Development Partners available at axis.com/vms
Warranty	5-year warranty, see axis.com/warranty

- a. This product includes software developed by the OpenSSL Project for use in the OpenSSL Toolkit. (www.openssl.org), and cryptographic software written by Eric Young (ey@cryptsoft.com).
b. This depends on the camera.



Dimension drawing



AXIS T6112 Mk II Audio I/O Interface

www.axis.com

Revision	v.01	Revision date	2022-10-19
Paper size	A4	Release date	2022-10-19
Created by	MS	Scale	1:3

© 2022 Axis Communications

Key features and technologies

Portcast

A concept (unique to Axis) for adding connectivity to Axis cameras. An interface box between the camera and switch provides the ports and adds a communication layer on top of the network.

Two-way audio

Two-way audio (also known as duplex audio) is a feature that allows Axis devices to both pick up and broadcast

sound. For example, if you have an IP camera with two-way audio, you can both see and hear what's going on on your premises and, if the need arises, speak with visitors or intruders in real-time.

Voice enhancer

An algorithm that amplifies voice content relative to other sounds with the purpose of making speech more perceptible.

For more information, see [axis.com/glossary](https://www.axis.com/glossary)