

DS-2CE17D0T-LFS 2 MP Dual Light Audio Fixed Bullet Camera



- High quality imaging with 2 MP, 1920 × 1080 resolution
- 2.8 mm, 3.6 mm and 6 mm fixed focal lens
- Up to 40 m IR distance for bright night imaging
- Up to 40 m white light distance for bright night imaging
- One port for four switchable signals (TVI/AHD/CVI/CVBS)
- High quality audio with audio over coaxial cable, built-in mic
- Water and dust resistant (IP67)

▪ Specification

| Camera | |
|--------------------------|---|
| Image Sensor | 2 MP CMOS |
| Max. Resolution | 1920 (H) × 1080 (V) |
| Min. Illumination | 0.01 Lux @ (F1.6, AGC ON), 0 Lux with IR |
| Shutter Time | PAL: 1/25 s to 1/50, 000 s; NTSC: 1/30 s to 1/50, 000 s |
| Day & Night | ICR |
| Angle Adjustment | Pan: 0 to 360°, Tilt: 0 to 180°, Rotation: 0 to 360° |
| Signal System | PAL/NTSC |
| Lens | |
| Lens Type | 2.8 mm, 3.6 mm and 6 mm fixed focal lens |
| Focal Length & FOV | 2.8 mm, horizontal FOV: 101°, vertical FOV: 56°, diagonal FOV: 118° 3.6 mm, horizontal FOV: 78°, vertical FOV: 42°, diagonal FOV: 92° 6 mm, horizontal FOV: 49.2°, vertical FOV: 28.3°, diagonal FOV: 56.1° |
| Lens Mount | M12 |
| Illuminator | |
| Supplement Light Type | White Light, IR |
| Supplement Light Range | IR : Up to 40 m White Light : Up to 40 m |
| Image | |
| Image Settings | Brightness, Sharpness, Smart IR |
| Frame Rate | TVI: 1080P @ 30 fps, 1080P @ 25 fps AHD: 1080P @ 30 fps, 1080P @ 25 fps CVI: 1080P @ 30 fps, 1080P @ 25 fps CVBS: PAL/NTSC |
| Day/Night Mode | Auto/Color/BW (Black and White) |
| Wide Dynamic Range (WDR) | Digital WDR |
| Image Enhancement | DWDR/BLC/HLC/Global |
| White Balance | Auto/Manual |
| AGC | Yes |
| Interface | |
| Video Output | Switchable TVI/AHD/CVI/CVBS |
| Built-in Microphone | Yes |
| General | |
| Material | Front cover: Metal Main body: Plastic |
| Dimension | 216.6 mm × 78.9 mm × 75.4 mm (8.53" × 3.10" × 2.97") |
| Weight | Approx. 339 g (0.75 lb.) |
| Operating Condition | -40 °C to 60 °C (-40 °F to 140 °F), humidity: 90% or less (non-condensation) |
| Communication | HIKVISION-C |
| Language | English |
| Power Supply | 12 VDC ± 25% *You are recommended to use one power adapter to supply the power for one camera. |
| Consumption | Max. 4.8 W |

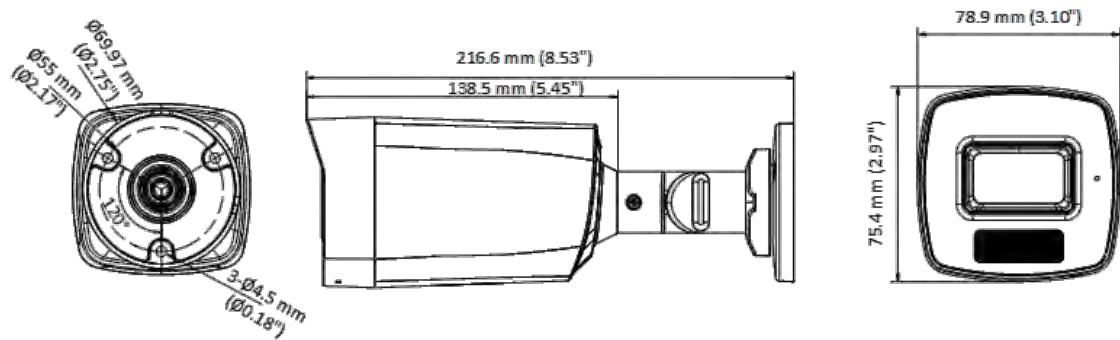
Approval

| | |
|------------|------|
| Protection | IP67 |
|------------|------|

▪ **Available Model**

DS-2CE17D0T-LFS

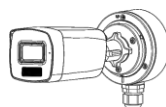
▪ **Dimension**



▪ **Accessory**

▪ **Optional**

DS-1280ZJ-XS
Junction box





Headquarters

No.555 Qianmo Road, Binjiang District,
Hangzhou 310051, China
T +86-571-8807-5998
www.hikvision.com



Follow us on social media to get the latest product and solution information.

