

HCO-6080

2MP Analog Bullet Camera

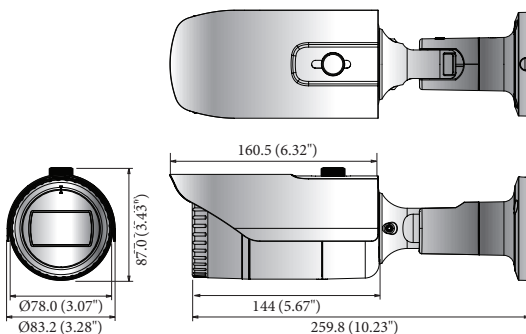


Key Features

- Full HD resolution
- 0.11 Lux@F1.6 (Color), 0.01 Lux@F1.6 (B/W)
- 3.2 ~ 10mm (3.1x) motorized V/F lens
- Day & Night (ICR), WDR (120dB)
- SSNRIV, Motion detection
- IP66, IK10
- Transmission distance max.500m
- Easy Installation (Plug & play), Dual power

Dimensions

Unit: mm (inch)



HCO-6080

| VIDEO | |
|----------------------------------|---|
| Imaging Device | 1/2.8" 2MP CMOS |
| Effective Pixels | 1,945(H) x 1,097(V) |
| Min. Illumination | Color: 0.11 Lux (F1.6, 1/30sec) B/W: 0.01 Lux (F1.6, 1/30sec) |
| Video Out | BNC (AHD / TVI / CVI / CVBS Selectable) |
| Resolution | 1920 x 1080 |
| Max. Framerate | 25fps (PAL) |
| LENS | |
| Focal Length (Zoom Ratio) | 3.2 ~ 10mm (3.1x) motorized varifocal |
| Max. Aperture Ratio | F1.6 |
| Angular Field of View(H/V/D) | H: 110.2°(Wide) ~ 32°(Tele) / V: 55.4°(Wide) ~ 18°(Tele) / D: 128.4°(Wide) ~ 36.6°(Tele) |
| Min. Object Distance | 0.5m (1.64ft) |
| Focus Control | Simple focus |
| Lens Type | DC auto Iris |
| Mount Type | Board-in Type |
| OPERATIONAL | |
| Camera Title | Displayed up to 15 characters |
| Day & Night | Auto (ICR) / Color / B/W |
| Backlight Compensation | Off / User BLC / HLC / WDR |
| Wide Dynamic Range | 120dB |
| Digital Noise Reduction | SSNRIV |
| Defog | Auto / Manual / off |
| Motion Detection | 4ea |
| Privacy Masking | 8ea, rectangular zones |
| Gain Control | Off / Low / Middle / High / Very High |
| White Balance | ATW / AWC / Manual / Indoor / Outdoor |
| Electronic Shutter Speed | 1 ~ 1/12,000sec |
| Video Rotation | OFF / H-Rev / V-Rev / HV-Rev |
| Analytics | Motion detection |
| Alarm I/O | MD output 1ea |
| Alarm Triggers | Analytics |
| Alarm Events | Alarm output |
| Coaxial Protocol | ACP (AHD Coax Protocol), TCP (TVI Coax Protocol), CCP (CVI Coax Protocol) CVBS: Pelco-C(Coaxitron) |
| Video Transmission Distance | 500m (5C2V Coaxial Cable) |
| ENVIRONMENTAL | |
| Operating Temperature / Humidity | -30°C ~ +55°C(-22°F ~ +131°F) / Less than 90% RH |
| Certification | IP66, IK10, CE |
| ELECTRICAL | |
| Input Voltage | 24VAC, 12VDC |
| Power Consumption | 24VAC: Max 5 W, Typical 2.1 W 12VDC: Max 4.9 W, Typical 1.9 W |
| MECHANICAL | |
| Color / Material | Dark grey / Aluminum |
| Product dimension / weight | Ø78.0x259.8mm (3.07x10.23"), 939g(2.05 lb), Without sunshield |

* The latest product information / specification can be found at hanwha-security.com

* Design and specifications are subject to change without notice.

* Wisenet is the proprietary brand of Hanwha Techwin, formerly known as Samsung Techwin.

Accessories (Optional)



SBO-100B1



SBP-302PM