

ALTA H6SL CAMERA LINE

2 MP

3 MP

5 MP

5-YEAR WARRANTY

Proactively boost safety and security with the analytics-enabled Avigilon H6SL camera line for Alta Aware. Available in a dome or bullet form factor, the cloud-native Alta H6SL line combines versatility and high performance for indoor and outdoor use. With high dynamic range, IR options and up to 5 MP resolution, you get crisp, clear images in even the most challenging lighting conditions. Intelligent analytics with real-time alerts help you react and respond faster to critical events and the cloud-native Alta Aware provides access to video at any time and from any location.



FEATURES



REACT AND RESPOND FASTER WITH AI

Gain security preparedness and act quicker with intelligent analytics that alert you in real-time of critical events. The Alta H6SL notifies you of people, vehicles or anomalies to help you identify potential threats.



SEE CLEARLY IN ALL LIGHT CONDITIONS

With High Dynamic Range, the Alta H6SL Dome can easily handle high-contrast scenes, and IR illumination captures details in low-light conditions so you can see clearly in all environments.



TRUSTED AND SECURE

With North American Avigilon manufacturing you can trust and security in the camera and the cloud, rest assured that your security system is protected.



OPTIONS FOR EVERY DEPLOYMENT

With a variety of storage and resolution configurations and wide and telephoto lens options on the H6SL Bullet, there's a cloud-native Alta H6SL to meet all your deployment needs.



SUITABLE FOR TOUGH ENVIRONMENTS

All H6SL cameras are IK10-rated for impact resistance. All outdoor models are IP66/IP67 and NEMA Type 4X rated for water, windblown dust and a degree of corrosion.



24/7 AWARENESS FROM ANYWHERE

Securely access video anywhere with a cloud-native platform that offers easy-to-use viewing and management via a browser or on-the-go visibility from a powerful mobile app.

SPECIFICATIONS

| IMAGE PERFORMANCE | | 2.0 MP | 3.0 MP | 5.0 MP |
|---------------------------|---------|--------------------------------------|--------------------------------------|---|
| Image Sensor | | 1/2.8" progressive scan CMOS | | |
| Imaging Area (H × V) | | 5.57 mm × 3.13 mm 0.219" × 0.123" | 5.18 mm × 3.89 mm 0.204" × 0.153" | |
| Aspect Ratio | | 16:9 | 4:3 | |
| Dynamic Range | HDR Off | 83 dB | | |
| | HDR On | 126 dB | 130 dB | |
| 3D Noise Reduction Filter | | Supported | | |
| Max Frame Rate | | 30 fps | | |
| Streaming Resolutions | | 1920x1080, 1280x720, 640x360 | 2048x1536, 1280x960, 640x480 | 2592x1944, 1920x1440, 1280x960, 640x480 |

| LENS AND IR ILLUMINATION | | 3.4-10.5 MM (DOME/BULLET) | 10.9-29 MM (BULLET ONLY) |
|---|------------------------|--|--|
| IR Illumination Max Distance (high power 850 nm LEDs) | Dome | 30 m (100 ft), full tele 20 m (65 ft), full wide | N/A |
| | Bullet 2.0 MP | 50 m (164 ft), full tele 30 m (100 ft), full wide | N/A |
| | Bullet 3.0 MP / 5.0 MP | 40 m (131 ft), full tele 20 m (65 ft), full wide | 70 m (230 ft), full tele 30 m (100 ft), full wide |
| Minimum Illumination (at 33 ms shutter speed) | 2.0 MP | With IR: 0 lux in monochrome mode Without IR: 0.01 lux in color mode; 0.005 lux in monochrome mode | N/A |
| | 3.0 MP / 5.0 MP | With IR: 0 lux in monochrome mode Without IR: 0.04 lux in color mode; 0.02 lux in monochrome mode | |
| Horizontal Angle of View | 2.0 MP | 101° - 31° | N/A |
| | 3.0 MP / 5.0 MP | 95° - 28° | 28° - 10° |
| Vertical Angle of View | 2.0 MP | 53° - 17° | N/A |
| | 3.0 MP / 5.0 MP | 69° - 21° | 21° - 7° |
| Max Aperture | | F1.6 | F1.7 |
| Lens Control | | Remote Zoom and Focus, Autofocus, IR Cut Filter | |

| IMAGE CONTROL | |
|----------------------------|---|
| Image Compression Method | H.265, H.264, Motion JPEG |
| Electronic Shutter Control | Automatic |
| Day/Night Control | Automatic |
| Flicker Control | 50 Hz, 60 Hz |
| Iris Control | P-Iris |
| White Balance | Automatic |
| Image Rotation | 0°, 90°, 180°, 270° including Corridor Mode |
| Privacy Zones | Up to 64 zones |

| NETWORK | |
|------------------------|---|
| Network | 100BASE-TX |
| Cabling Type | CAT5 |
| Network | RJ45 Connector |
| ONVIF ¹ | ONVIF® compliance Profile S, Profile T, Profile G, and Profile M (www.onvif.org) |
| Security | Password protection, HTTPS encryption |
| Protocols | IPv6, IPv4, HTTP, HTTPS, SOAP, DNS, NTP, RTSP, RTCP, RTP, TCP, UDP, IGMP, ICMP, DHCP, ARP, HSTS |
| Streaming Protocols | WebRTC, RTP/RTSP/UDP, RTP/RTSP/TCP, RTP/RTSP/HTTP/TCP, RTP/RTSP/HTTPS/TCP |
| Platform Compatibility | Avigilon Alta Aware, Avigilon Unity ACC ¹ , 3rd party VMS ¹ |

¹ Requires the camera to be running Avigilon Unity firmware.

| AUXILIARY I/O | |
|-------------------------------------|--|
| Audio Compression Method | G.711 PCM 8 kHz, Opus |
| Audio Input/Output ¹ | Line level I/O |
| External I/O Terminals ¹ | Alarm In, Alarm Out |
| Microphone (Indoor Dome) | Optional Microphone accessory sold separately for Indoor Dome Camera only ² |

¹ Not currently supported.

² Available soon.

| MECHANICAL (DOME) | SURFACE MOUNT | IN-CEILING MOUNT | PENDANT MOUNT |
|------------------------|--|---|---|
| Dimensions | D 156 mm × H 116 mm; D 6.1" × H 4.6" | D 174 mm × H 165 mm; D 6.9" × H 6.5" | D 156 mm × H 161 mm; D 6.2" × H 6.3" |
| Weight | 0.81 kg | 0.80 kg | 1.07 kg |
| Max. Ceiling Thickness | N/A | 25 mm (1.0") | N/A |
| Dome Bubble | Polycarbonate | | |
| Body | Polycarbonate | | |
| Housing | Polycarbonate | | |
| Finish | Plastic, injection molded, Pantone 427C | | |
| Adjustment Range | 360° pan, 30°–95° tilt (recommended), 8°–95° tilt (maximum), ±180° azimuth | | |

| MECHANICAL (BULLET) | | 3.4-10.5 MM AND 10.9-29 MM |
|------------------------|--------------------------|--|
| Dimensions (L x W x H) | Camera with junction box | 296 mm × 126 mm × 106 mm; 11.7" × 5.0" × 4.2" |
| Weight | | 1.31 kg (1.78 kg with junction box) |
| Body | | Aluminum |
| Housing | | Aluminum |
| Finish | | Powder coat, close to Pantone 427C |
| Adjustment Range | | ±175° pan, ±90° tilt, ±175° azimuth |

ELECTRICAL

| | | |
|--------------------------|---|---|
| Power Source | PoE: IEEE 802.3af Class 3 compliant, 12VDC Aux (Available on Bullet only) | |
| IR Illuminator Behaviour | Dome | IR illuminator will turn off if the temperature is 60°C (140°F) or higher. The illuminator will operate at 50% power if the temperature is between 40°C (104°F) and 52 °C (117°F). Hysteresis: 2°C (3.6°F). |
| | Bullet | IR illuminator will turn off if the temperature is 60°C (140°F) or higher. |
| RTC Battery Backup | 3V manganese lithium | |
| PoE | Dome | 10 W max (8 W with no IR or IR disabled) |
| | Bullet | 13 W max |
| Memory | 1GB RAM, 512MB Flash | |

ENVIRONMENTAL**INDOOR DOME****OUTDOOR DOME****BULLET**

| | | | |
|------------------------------|--|---------------------------------|---------------------------------|
| Operating Temperature | -10°C to +60°C (14°F to 140°F) | -40°C to +60°C (-40°F to 140°F) | -40°C to +60°C (-40°F to 140°F) |
| Storage Temperature | -10°C to +70°C (14°F to 158°F) | | |
| Absolute Maximum Temperature | 74°C (165°F) per NEMA TS2 (Temp.) para 2.2.7.2 - 2.2.7.7 | | |
| Humidity | 0 - 95% non-condensing | | |

CERTIFICATIONS**INDOOR DOME****OUTDOOR DOME****BULLET**

| | | | |
|---------------------------|--|---|---|
| Certifications/Approvals | UL, cUL, CE, UKCA, ROHS, RCM, NOM, KC, BIS | | |
| Safety | UL/CSA/EN/IEC 62368-1, IEC 62471 | | |
| Environmental | IEC/EN 62262 Impact (IK 10), IEC 60529 IP52 rating | IEC/EN 62262 (IK 10), IEC 60529 IP66, IP67 rating, Type 4X, IEC 60068-2-1, IEC 60068-2-2, IEC 60068-2-6, IEC 60068-2-14, IEC 60068-2-27 | IEC/EN 62262 (IK 10), IEC 60529 IP66, IP67 rating, Type 4X, IEC 60068-2-1, IEC 60068-2-2, IEC 60068-2-6, IEC 60068-2-14, IEC 60068-2-27 |
| Electromagnetic Emissions | FCC Part 15 Subpart B (Class B), IC ICES-003 (Class B), EN 55032 (Class B), EN 61000-6-3, EN 61000-3-2, EN 61000-3-3 | | |
| Electromagnetic Immunity | EN 55035, EN 61000-6-1, EN 50130-4, EN 50121-4 | | |
| Warranty | 5-year warranty | | |

ANALYTICS SPECIFICATIONS

ANALYTIC RULES SUPPORTED

| | |
|-------------------------------|--|
| Object in Area | Rule triggered when an object of the selected type and attributes is detected in the region of interest. |
| Object Loitering | Rule triggered when an object of the selected type and attributes loiters in the selected area for the selected period of time. |
| Objects Crossing Line | Rule triggered when an object of the selected type and attributes crosses the line. The line can be unidirectional or bidirectional. |
| Object Counting | Rule triggered when the count of objects of the selected type either exceeds or is less than the selected threshold. |
| Object Line Crossing Counting | Rule triggered when the specific number of objects of the selected type either cross a line to enter or leave an area. |
| License Plate Detection | Requires additional license. |
| Audio ¹ | Rule triggered when audio of one of the specified types is detected. |

¹ Audio Analytics will be available soon. Requires Avigilon microphone accessory (for indoor domes only).

DETECTED ATTRIBUTES

| | |
|-------------------|---|
| Object Attributes | Vehicle, sub-types: Small/Medium Vehicles (sedan, SUV, pickup truck, etc.), Large Vehicles (bus, truck), Two-wheeled Vehicles (bicycle, motorcycle), Unclassified Vehicles Person Color (people's clothing, top and bottom, and vehicles) |
|-------------------|---|

SUPPORTED AUDIO EVENTS¹

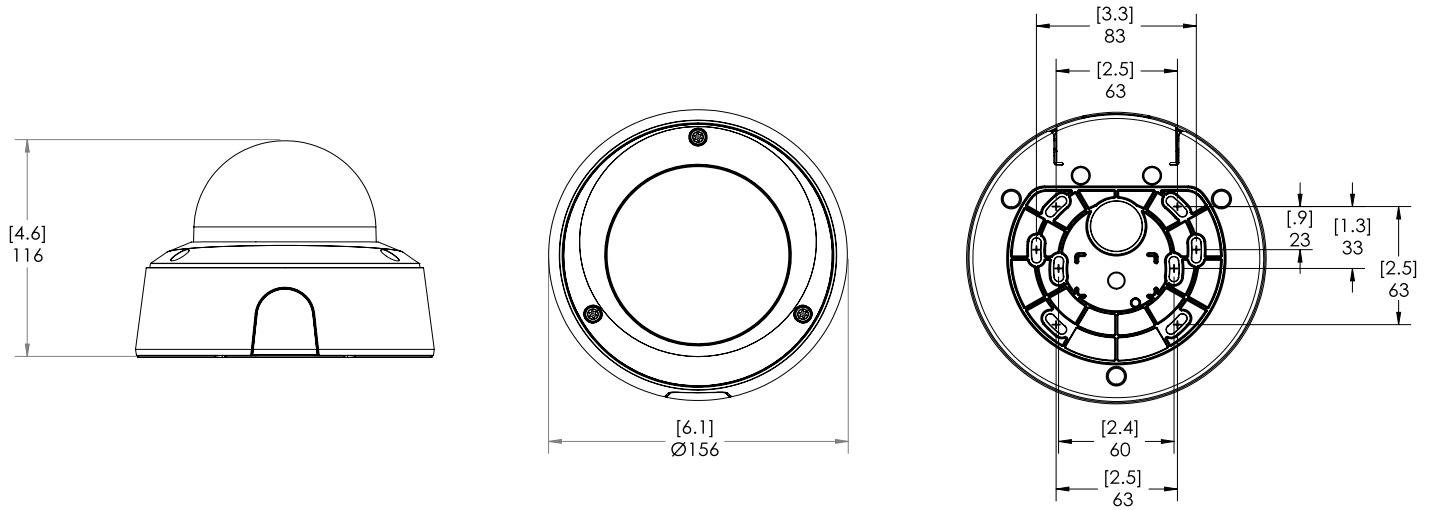
| | |
|--------------|--|
| Audio Events | Glass breaking, Loud Noise, Gun Shot, Screaming, Smoke Alarm, Car Alarm, Ultrasound Panic Alarm, Dog Barking |
|--------------|--|

¹ Audio Analytics will be available soon. Requires Avigilon microphone accessory (for indoor domes only).

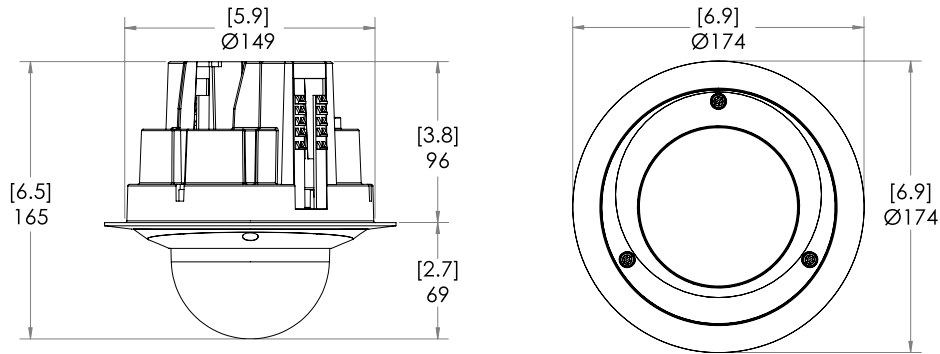
OUTLINE DIMENSIONS

| [X.X] | INCHES |
|-------|--------|
| X | MM |

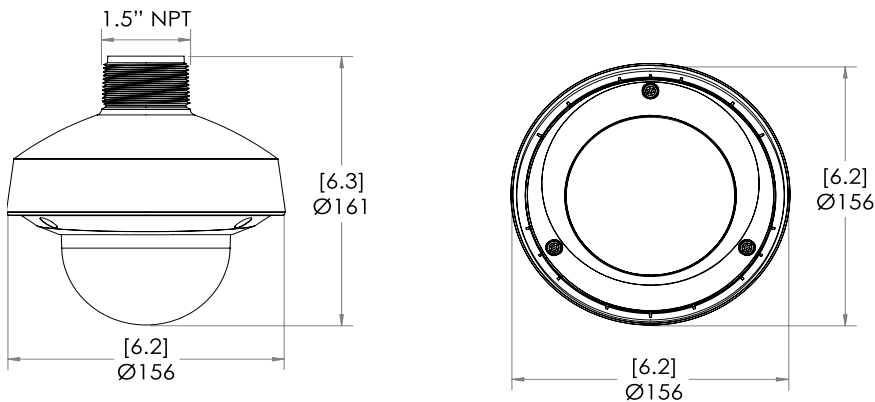
DOME CAMERA WITH SURFACE MOUNT (H6SL DOME CAMERA + PROVIDED SURFACE MOUNT)



DOME CAMERA WITH IN-CEILING MOUNT (H6SL DOME CAMERA + SLSPCIL-1001)

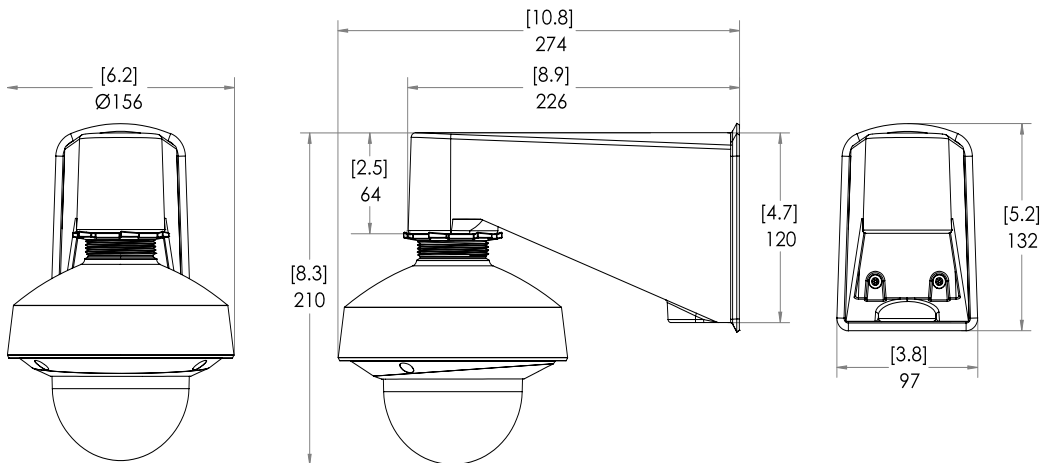


DOME CAMERA WITH NPT ADAPTER (H6SL DOME CAMERA + H6SL-MT-NPTA1)

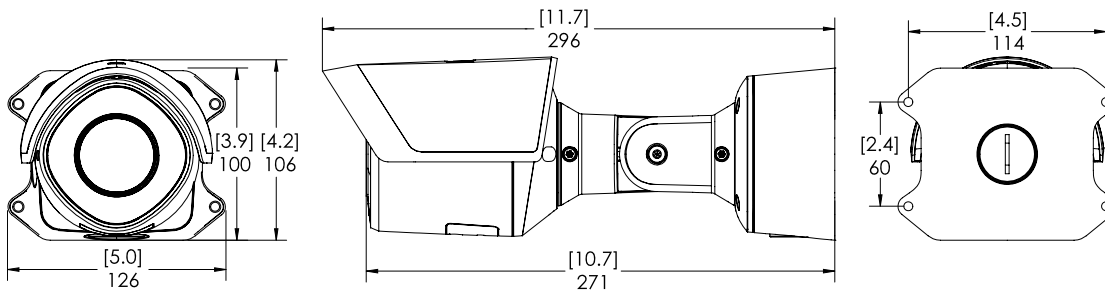


DOME CAMERA WITH NPT ADAPTER AND PENDANT WALL MOUNT

(H6SL DOME CAMERA + H6SL-MT-NPTA1 + CM-MT-WALL1)

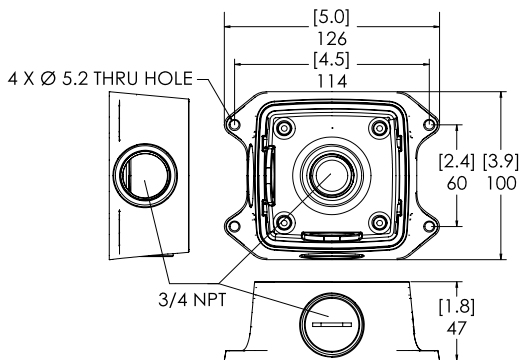


BULLET CAMERA



BULLET JUNCTION BOX

(PROVIDED WITH CAMERA)



ORDERING INFORMATION

DOMES CAMERA

| MODEL NUMBER | MP | LENS | IR | IP66/IP67, TYPE4X | DAYS OF STORAGE |
|----------------------|-----|-------------|----|-------------------|-----------------|
| 2.0C-H6SL-D1-30 | 2.0 | 3.4-10.5 mm | | | 30 Days |
| 2.0C-H6SL-D1-60 | 2.0 | 3.4-10.5 mm | | | 60 Days |
| 2.0C-H6SL-D1-120 | 2.0 | 3.4-10.5 mm | | | 120 Days |
| 2.0C-H6SL-D1-IR-30 | 2.0 | 3.4-10.5 mm | ✓ | | 30 Days |
| 2.0C-H6SL-D1-IR-60 | 2.0 | 3.4-10.5 mm | ✓ | | 60 Days |
| 2.0C-H6SL-D1-IR-120 | 2.0 | 3.4-10.5 mm | ✓ | | 120 Days |
| 2.0C-H6SL-DO1-IR-30 | 2.0 | 3.4-10.5 mm | ✓ | ✓ | 30 Days |
| 2.0C-H6SL-DO1-IR-60 | 2.0 | 3.4-10.5 mm | ✓ | ✓ | 60 Days |
| 2.0C-H6SL-DO1-IR-120 | 2.0 | 3.4-10.5 mm | ✓ | ✓ | 120 Days |
| 3.0C-H6SL-D1-30 | 3.0 | 3.4-10.5 mm | | | 30 Days |
| 3.0C-H6SL-D1-60 | 3.0 | 3.4-10.5 mm | | | 60 Days |
| 3.0C-H6SL-D1-120 | 3.0 | 3.4-10.5 mm | | | 120 Days |
| 3.0C-H6SL-D1-IR-30 | 3.0 | 3.4-10.5 mm | ✓ | | 30 Days |
| 3.0C-H6SL-D1-IR-60 | 3.0 | 3.4-10.5 mm | ✓ | | 60 Days |
| 3.0C-H6SL-D1-IR-120 | 3.0 | 3.4-10.5 mm | ✓ | | 120 Days |
| 3.0C-H6SL-DO1-IR-30 | 3.0 | 3.4-10.5 mm | ✓ | ✓ | 30 Days |
| 3.0C-H6SL-DO1-IR-60 | 3.0 | 3.4-10.5 mm | ✓ | ✓ | 60 Days |
| 3.0C-H6SL-DO1-IR-120 | 3.0 | 3.4-10.5 mm | ✓ | ✓ | 120 Days |
| 5.0C-H6SL-D1-30 | 5.0 | 3.4-10.5 mm | | | 30 Days |
| 5.0C-H6SL-D1-60 | 5.0 | 3.4-10.5 mm | | | 60 Days |
| 5.0C-H6SL-D1-120 | 5.0 | 3.4-10.5 mm | | | 120 Days |
| 5.0C-H6SL-D1-IR-30 | 5.0 | 3.4-10.5 mm | ✓ | | 30 Days |
| 5.0C-H6SL-D1-IR-60 | 5.0 | 3.4-10.5 mm | ✓ | | 60 Days |
| 5.0C-H6SL-D1-IR-120 | 5.0 | 3.4-10.5 mm | ✓ | | 120 Days |
| 5.0C-H6SL-DO1-IR-30 | 5.0 | 3.4-10.5 mm | ✓ | ✓ | 30 Days |
| 5.0C-H6SL-DO1-IR-60 | 5.0 | 3.4-10.5 mm | ✓ | ✓ | 60 Days |
| 5.0C-H6SL-DO1-IR-120 | 5.0 | 3.4-10.5 mm | ✓ | ✓ | 120 Days |

BULLET CAMERA

| MODEL NUMBER | MP | LENS | IR | IP66/IP67, TYPE4X | DAYS OF STORAGE |
|----------------------|-----|-------------|----|-------------------|-----------------|
| 2.0C-H6SL-B01-IR-30 | 2.0 | 3.4-10.5 mm | ✓ | ✓ | 30 Days |
| 2.0C-H6SL-B01-IR-60 | 2.0 | 3.4-10.5 mm | ✓ | ✓ | 60 Days |
| 2.0C-H6SL-B01-IR-120 | 2.0 | 3.4-10.5 mm | ✓ | ✓ | 120 Days |
| 3.0C-H6SL-B01-IR-30 | 3.0 | 3.4-10.5 mm | ✓ | ✓ | 30 Days |
| 3.0C-H6SL-B01-IR-60 | 3.0 | 3.4-10.5 mm | ✓ | ✓ | 60 Days |
| 3.0C-H6SL-B01-IR-120 | 3.0 | 3.4-10.5 mm | ✓ | ✓ | 120 Days |
| 3.0C-H6SL-B02-IR-30 | 3.0 | 10.9-29 mm | ✓ | ✓ | 30 Days |
| 3.0C-H6SL-B02-IR-60 | 3.0 | 10.9-29 mm | ✓ | ✓ | 60 Days |
| 3.0C-H6SL-B02-IR-120 | 3.0 | 10.9-29 mm | ✓ | ✓ | 120 Days |
| 5.0C-H6SL-B01-IR-30 | 5.0 | 3.4-10.5 mm | ✓ | ✓ | 30 Days |
| 5.0C-H6SL-B01-IR-60 | 5.0 | 3.4-10.5 mm | ✓ | ✓ | 60 Days |
| 5.0C-H6SL-B01-IR-120 | 5.0 | 3.4-10.5 mm | ✓ | ✓ | 120 Days |
| 5.0C-H6SL-B02-IR-30 | 5.0 | 10.9-29 mm | ✓ | ✓ | 30 Days |
| 5.0C-H6SL-B02-IR-60 | 5.0 | 10.9-29 mm | ✓ | ✓ | 60 Days |
| 5.0C-H6SL-B02-IR-120 | 5.0 | 10.9-29 mm | ✓ | ✓ | 120 Days |

ACCESSORIES

| PART NUMBER | DESCRIPTION |
|--------------------------|---|
| CM-MT-WALL1 | Wall Mount Arm for 1.5" NPT Pendant |
| PLMT-1001 | Pole Mount Adapter for CM-MT-WALL1 |
| CRNMT-1001 | Corner Mount for CM-MT-WALL1 |
| SLSPCIL-1001 | In-ceiling mounting adapter for H6SL Dome Camera |
| H6SL-MT-NPTA1 | Pendant NPT adapter for H6SL Dome Camera |
| DCLPNL-1001 | Metal ceiling panel for suspended ceiling installations |
| H6SL-DO-SHLD1 | Weathershield for H6SL Dome Camera |
| ACMICR-1001 ¹ | Microphone accessory for Indoor H6SL Dome Camera |
| H6SL-DD-CLER1 | Clear lower dome for H6SL Outdoor Dome Camera |
| H6SL-DD-SMOK1 | Smoked lower dome for H6SL Outdoor Dome Camera |
| H6SL-DI-CLER1 | Clear lower dome for H6SL Indoor Dome Camera |
| H6SL-DI-SMOK1 | Smoked lower dome for H6SL Indoor Dome Camera |
| CNCVR-1001 | Adapter 3/4 inch conduit for H6SL Dome Camera, 5-pack |

¹ Will be supported soon.



Sep 2023 | Rev 1

© 2023, Motorola Solutions, Inc. All rights reserved. MOTOROLA, MOTO, MOTOROLA SOLUTIONS, and the Stylized M Logo are trademarks or registered trademarks of Motorola Trademark Holdings, LLC and are used under license.

sales@avigilon.com | [avigilon.com](https://www.avigilon.com)