

AVIGILON™

AVA COMPACT DOME CAMERA

Avigilon Alta Cloud Security



The AI-powered Avigilon Ava Compact Dome Camera for Alta Aware packs powerful security into a discreet package, perfect for ensuring security in indoor environments. With up to 5MP resolution, HDR and IR illumination, the compact Dome security camera provides crisp, clear images even in challenging lighting conditions. On-camera storage and processing and cloud management minimize physical infrastructure, enabling plug and play configuration for fast deployments. Intelligent video and audio analytics help detect threats in real-time, and provide valuable insights to improve operations.



Fixed lens compact dome with IR



Built-in AI video and audio analytics and on-device storage



Versatile, lightweight, and fit for discreet indoor installations



Factory-installed certificates backed by a trusted platform module (TPM)



High resolution (5MP) and extreme low light performance (f/1.3)



NDA-Compliant: designed and developed in Norway and the UK, manufactured in Taiwan



MOTOROLA SOLUTIONS



FEATURES

IMAGE SENSOR

5MP (4:3)

IMAGE SENSOR SIZE FORMAT

1/2.7"

LENS

Focal length: 3.2mm

Aperture: *f*/1.3

Fixed focus

IR NIGHT VISION

Automatic night mode

IR-cut filter

IR range: 10m

850 nm IR LED

MINIMUM ILLUMINATION IN COLOR MODE

0.10lux

FIELD OF VIEW

102° horizontal

71° vertical

MAXIMUM RESOLUTION & FRAME RATE

2688x1944@30fps

DYNAMIC RANGE

Multi-exposure line-based HDR

VIDEO COMPRESSION

H.264

Motion JPEG

AUDIO

Microphone array (4x microphones)

Audio classification

SECURITY

Trusted Platform Module (TPM 2.0)

Factory-installed certificates

No default passwords

Mandatory access authentication

HTTPS/TLS encryption

NETWORK PROTOCOLS

IPv4, HTTPS, TLS, DNS, mDNS, DNS-SD, NTP, RTSP, RTP, RTCP, ICMP, DHCP, ARP

Streaming: RTP/UDP, RTP/RTSP/HTTPS/TCP

POWER SOURCE

PoE 802.3af

USB-C, installation only

POWER CONSUMPTION

Typical: 5W

Max: 8W

STORAGE

2x MicroSD

SDXC UHS-I

CONNECTION

802.3ab 10/100/1000 Gigabit Ethernet

USB-C for preview and setup

INSTALLATION AID

Mount template

Screws and wall plugs included

1/4-20 UNC standardized camera mount thread

ADJUSTMENT RANGE

Pan

Tilt

Roll

TEMPERATURE

Operating: 0°C to +40°C

Storage: -40°C to +60°C

PHYSICAL CHARACTERISTICS

Dimensions: 107x107x64mm

Weight: 280g

EMC

EN 55032

EN 61000-3-2/-3

EN 61000-6-4

IEC 61000-4-2/-3/-4/-5/-6/-8

CISPR 32

AS/NZS CISPR 32

FCC Part 15B

ICES-003 Issue 6

SAFETY

IEC62368-1

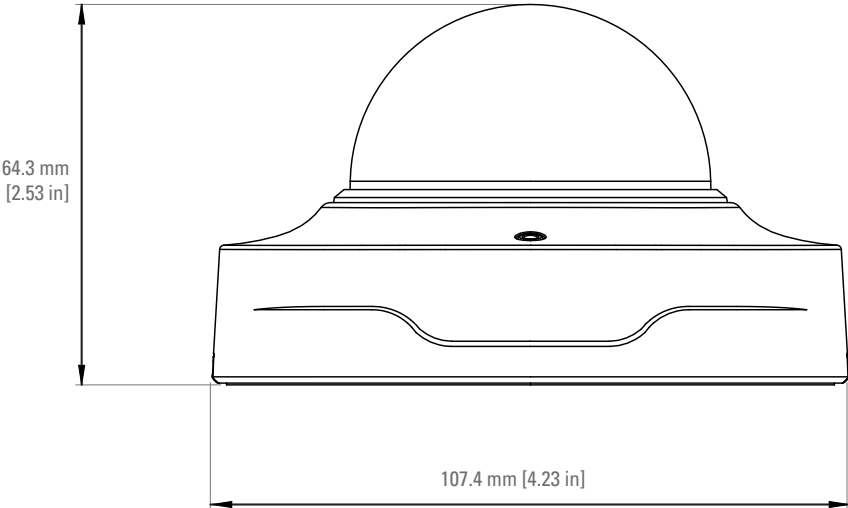
UL62368-1

IEC62471

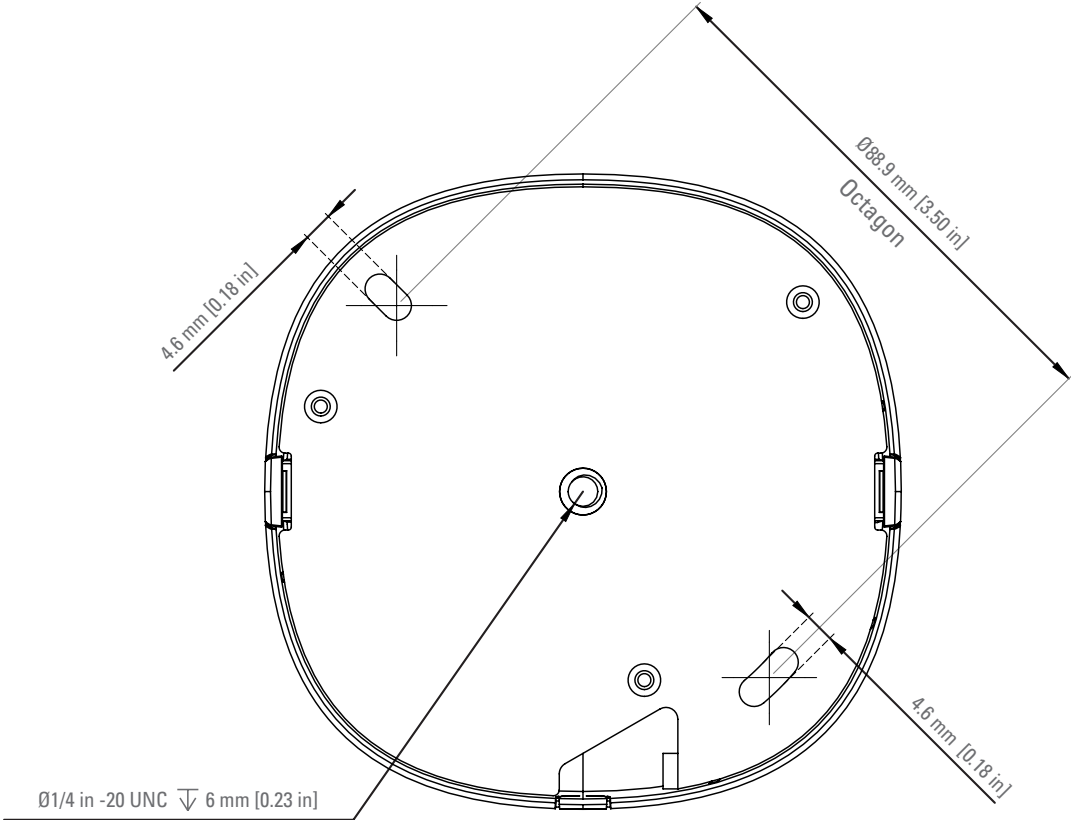
TECHNICAL DRAWINGS

Camera

Side view



Bottom view



ORDERING INFORMATION

AVIGILON AVA COMPACT DOME

PRODUCT ID	ONBOARD RETENTION	DEPLOYMENT	COLOR
COMPACTDOME-W-5MP-30	30 days	Alta Aware Cloud	White
COMPACTDOME-B-5MP-30	30 days	Alta Aware Cloud	Black
COMPACTDOME-W-5MP-60	60 days	Alta Aware Cloud	White
COMPACTDOME-B-5MP-60	60 days	Alta Aware Cloud	Black
COMPACTDOME-W-5MP-120	120 days	Alta Aware Cloud	White
COMPACTDOME-B-5MP-120	120 days	Alta Aware Cloud	Black
COMPACTDOME-W	No	Alta Aware on-prem	White
COMPACTDOME-B	No	Alta Aware on-prem	Black

ACCESSORIES

PRODUCT ID	PRODUCT NAME	COLOR
ACC-DRO-CEI	Avigilon Ava Drop Ceiling Mount	N/A
ACC-POE-15W-US ACC-POE-15W-UK ACC-POE-15W-EU	Avigilon Ava PoE Injector 15W	Black

To learn more, visit:
www.avigilon.com



Motorola Solutions, Inc. 500 West Monroe Street, Chicago, IL 60661 U.S.A. motorolasolutions.com

© 2023, Avigilon Corporation. All rights reserved. MOTOROLA, MOTO, MOTOROLA SOLUTIONS and the Stylized M Logo are trademarks or registered trademarks of Motorola Trademark Holdings, LLC and are used under license. All other trademarks are the property of their respective owners. 09-2023 [DS02]