



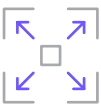
BULLET



Available in wide and tele lenses for flexible coverage



Simple to install with innovative sliding body design and easy onboarding



Dynamic resolution up to 4K



Built-in AI video and audio analytics and on-device storage



Factory-installed certificates backed by a trusted platform module (TPM)



NDA-compliant: designed and developed in Norway and the UK, manufactured in Taiwan

Image sensor

8MP (4K) or 5MP

Image sensor size format

1/1.8"

Lens (wide)

Focal length: 4.3-10.8mm

Aperture: $f/1.38$ - $f/2.8$

Zoom

Lens (tele)

Focal length 11-28mm

Aperture: $f/1.47$ - $f/1.69$

Zoom

Zoom

2.5x

IR night vision

Automatic night mode

IR-cut filter

850 nm IR LED

Field of view (wide)

100° - 40° Horizontal, 53° - 23° Vertical

Field of view (tele)

39° - 16° Horizontal, 23° - 9° Vertical

Maximum resolution & Frame rate 8MP (4K)

3840x2160@30fps

Maximum resolution & Frame rate 5MP

3072x1728@30fps

Dynamic range

Multi-exposure line-based HDR

Video compression

H.265, H.264, Motion JPEG

Audio

Microphone array (4x microphones)

Audio classification, Audio localization

Security

Trusted Platform Module (TPM 2.0), Factory installed certificates, No default passwords

Mandatory access authentication, HTTPS/TLS encryption

Network protocols

IPv4, HTTPS, TLS, DNS, mDNS, DNS-SD, NTP, RTSP, RTP, RTCP, ICMP, DHCP, ARP

Streaming: RTP/UDP, RTP/RTSP/HTTPS/TCP

Power source

PoE+ (802.3at Type 2), normal operation

PoE (802.3 af), without heat and IR

USB-C, installation only

Power consumption

Typical: 5 W

Max without heater, with IR: 13 W

Max with heater: 23 W

Storage

2x MicroSD, SDXC UHS-I

Connection

802.3u 10/100 Ethernet

USB-C for preview and setup

Installation aid

Versatile bracket, mounts to standard back boxes. Refer to technical drawing.

Adjustment range

Pan, Tilt, Roll

Impact resistance

IK10 (IEC/EN 62262)

Ingress protection

IP66, IP67 (IEC/EN 60529)

Temperature

Operating: -25°C to +50°C

Storage: -40°C to +60°C

Physical characteristics

Dimensions: 284x86x108

Weight: 1.33 kg

Body: Aluminum

EMC

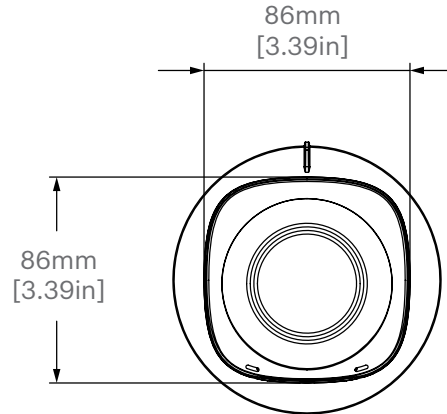
EN55032, EN 61000-6-4, EN 61000-3-2, EN 61000-3-3, EN50130-4 CISPR 32, AS/NZS CISPR 32, FCC subpart 15B, ICES-003 Issue 7

Safety

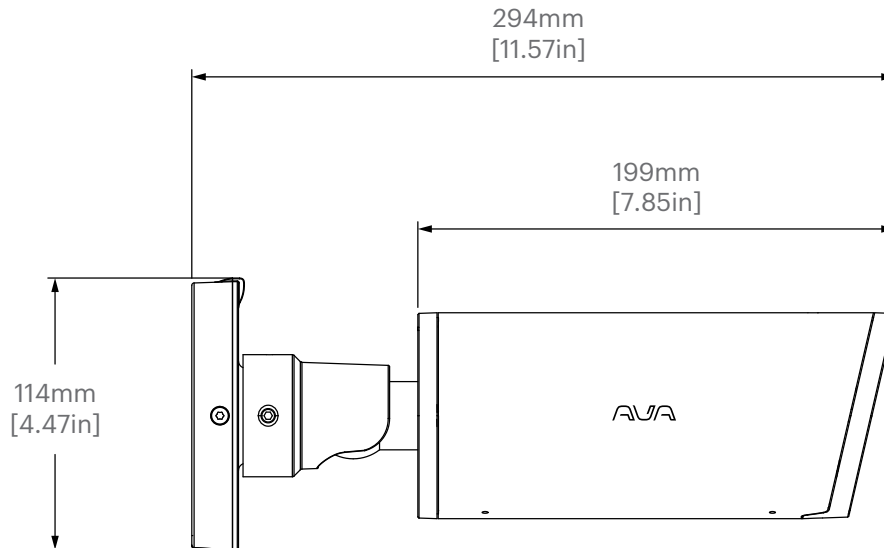
IEC62368-1, UL62368-1, IEC62471, NOM-019

Technical drawings

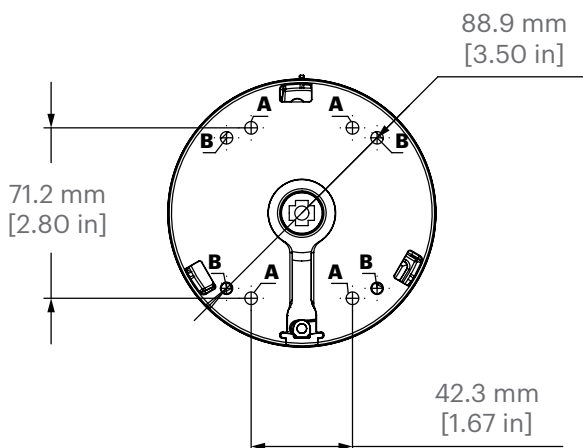
Front view



Side view



Rear view



	Dimension (mm)	Dimension (inch)	Usage
A	42.3 x 71.2	1.67 x 2.8	Large fasteners & anchors
B	62.86 x 62.86 (88.9 diagonal)	2.47 x 2.47 (3.5 diagonal)	Ava Mounts, small fasteners

Ordering information

Ava Bullet Tele

PRODUCT ID	RESOLUTION	ONBOARD RETENTION	COLOR
BULLET-TE-W	4K	No. Cloud Connector required.	White
BULLET-TE-W-4K-30	4K	30 days	White
BULLET-TE-W-4K-60	4K	60 days	White
BULLET-TE-W-5MP	5MP	No. Cloud Connector required.	White
BULLET-TE-W-5MP-30	5MP	30 days	White
BULLET-TE-W-5MP-60	5MP	60 days	White
BULLET-TE-W-5MP-120	5MP	120 days	White
BULLET-TE-B	4K	No. Cloud Connector required.	Black
BULLET-TE-B-4K-30	4K	30 days	Black
BULLET-TE-B-4K-60	4K	60 days	Black
BULLET-TE-B-5MP	5MP	No. Cloud Connector required.	Black
BULLET-TE-B-5MP-30	5MP	30 days	Black
BULLET-TE-B-5MP-60	5MP	60 days	Black
BULLET-TE-B-5MP-120	5MP	120 days	Black

Ordering information

Ava Bullet Wide

PRODUCT ID	RESOLUTION	ONBOARD RETENTION	COLOR
BULLET-WI-W	4K	No. Cloud Connector required.	White
BULLET-WI-W-4K-30	4K	30 days	White
BULLET-WI-W-4K-60	4K	60 days	White
BULLET-WI-W-5MP	5MP	No. Cloud Connector required.	White
BULLET-WI-W-5MP-30	5MP	30 days	White
BULLET-WI-W-5MP-60	5MP	60 days	White
BULLET-WI-W-5MP-120	5MP	120 days	White
BULLET-WI-B	4K	No. Cloud Connector required.	Black
BULLET-WI-B-4K-30	4K	30 days	Black
BULLET-WI-B-4K-60	4K	60 days	Black
BULLET-WI-B-5MP	5MP	No. Cloud Connector required.	Black
BULLET-WI-B-5MP-30	5MP	30 days	Black
BULLET-WI-B-5MP-60	5MP	60 days	Black
BULLET-WI-B-5MP-120	5MP	120 days	Black

Ordering information

Accessories

PRODUCT ID	RESOLUTION	COLOR
ACC-WEA-SHI-B	Weather shield	Black
ACC-WEA-SHI-W	Weather shield	White
ACC-CON-BCK-B	Conduit back box	Black
ACC-CON-BCK-W	Conduit back box	White
ACC-ADA-PLA-B	Adapter plate	Black
ACC-ADA-PLA-W	Adapter plate	White
ACC-POL-BRA-W	Pole bracket	White
ACC-POL-BRA-B	Pole bracket	Black
ACC-CRN-BRA-W	Corner bracket	White
ACC-CRN-BRA-B	Corner bracket	Black