

DS-2XS6F85G1-I(L)C1/4G 8 MP Wildlife Network Camera



It can be installed in the wild environment for concealed observation and capture, and can detect the wild animals and their living habits to provide guidance for animal protection research.

- High-sensitivity PIR detector to realize accurate detection of wild animals and high-definition image acquisition with the detection range covering horizontal $90^{\circ} \pm 5^{\circ}$
- Ultra-low power consumption: support sleep mode and performance mode. In sleep mode, the standby time can be up to 125 days
- Support short-range WLAN AP function to conveniently debug, record, and preview the video
- Clear imaging against strong back light due to 120 dB true WDR technology
- Advanced infrared technology with IR distance up to 15 m
- Built-in memory card slot, support microSD/microSDHC/microSDXC card, up to 512 GB
- Supports LTE-TDD/LTE-FDD/WCDMA/GSM to realize wireless connection
- Supports GPS positioning
- Built-in microphone for real-time audio security

▪ Specification

Camera	
Image Sensor	1/1.8" Progressive Scan CMOS
Min. Illumination	Color: 0.003 Lux @ (F1.2, AGC ON),B/W: 0.0001 Lux @ (F1.2, AGC ON),B/W: 0 Lux with IR
Max. Resolution	3840 × 2160
Shutter Time	1 s to 1/100,000 s
Day & Night	-I: IR cut filter, -L: 24/7 color imaging
Lens	
Focal Length & FOV	2.8 mm, horizontal FOV 108.1°, vertical FOV 53.2°, diagonal FOV 132.7° 6 mm, horizontal FOV 60.0°, vertical FOV 34.8°, diagonal FOV 67.8°
Aperture	F1.6
Lens Mount	M12
DORI	
DORI	2.8 mm: D: 97.4 m, O: 38.7 m, R: 19.5 m, I: 9.7 m 6 mm: D: 140 m, O: 55.6 m, R: 28.0 m, I: 14 m
Illuminator	
Supplement Light Type	-I: IR, -L: White Light
IR Wavelength	-I: 850 nm
Supplement Light Range	Up to 15 m
Smart Supplement Light	Yes
Video	
Main Stream	50 Hz: 12.5 fps (2688 × 1520, 1920 × 1080, 1280 × 720) 60 Hz: 15 fps (2688 × 1520, 1920 × 1080, 1280 × 720)
Video Compression	Main stream: H.265
Video Bit Rate	32 Kbps to 8 Mbps
H.265 Type	Baseline Profile,Main Profile,High Profile
Bit Rate Control	CBR,VBR
Scalable Video Coding (SVC)	H.265
Audio	
Environment Noise Filtering	Yes
Audio Sampling Rate	8 kHz/16 kHz/32 kHz/48 kHz
Audio Compression	G.711/G.722.1/G.726/MP2L2/PCM/MP3/AAC-LC
Audio Bit Rate	64 Kbps (G.711ulaw/G.711alaw)/16 Kbps (G.722.1)/16 Kbps (G.726)/32 to 192 Kbps (MP2L2)/8 to 320 Kbps (MP3)/16 to 64 Kbps (AAC-LC)
Audio Type	Mono sound
Network	
Simultaneous Live View	Up to 6 channels
API	Open Network Video Interface (Profile S, Profile G),ISAPI,SDK,ISUP
Protocols	TCP/IP, IPv6, DDNS, RTSP, HTTPS, HTTP, FTP, QoS, Bonjour, SNMP, WebSocket, WebSockets
User/Host	Up to 32 users 3 user levels: administrator, operator, and user

Network Storage	Auto Network Replenishment (ANR), Together with high-end Hikvision memory card, memory card encryption and health detection are supported.
Client	iVMS-4200, Hik-Connect
Web Browser	Plug-in required live view: IE 10, IE 11, Plug-in free live view: Chrome 57.0+, Firefox 52.0+, Edge 89+, Local service: Chrome 57.0+, Firefox 52.0+, Safari 13+, Edge 89+
Mobile Communication	
Frequency	LTE-TDD Band 38/40/41 LTE-FDD Band 1/3/5/7/8/20/28 WCDMA Band 1/5/8 GSM 850/900/1800MHz
Standard	LTE-TDD/LTE-FDD/WCDMA/GSM
Image	
Day/Night Switch	Day, Night, Auto, Schedule
Wide Dynamic Range (WDR)	120 dB
Picture Overlay	LOGO picture can be overlaid on video with 128 × 128 24 bit bmp format.
Image Enhancement	BLC, HLC, Defog, 3D DNR
Image Parameters Switch	Yes
Image Settings	Saturation, brightness, contrast, sharpness, AGC, white balance, adjustable by client software or web browser
SNR	≥ 52 dB
Transducer	
Transducer Type	PIR
Detection Range	Up to 15 m
Detection Angle	2.8 mm: Horizontal: 90° ± 5°, vertical: 25° ± 5°; 6 mm: Horizontal: 50° ± 5°, vertical: 20° ± 5°
Satellite Positioning	
Satellite Positioning Detection	Support GPS and searching longitude and latitude of the device
Interface	
Built-in Microphone	1 built-in microphone
On-Board Storage	Built-in memory card slot, support microSD/microSDHC/microSDXC card, up to 512 GB
Ethernet Interface	1 six-core 1.25 mm interface (it can be transferred as 1 12 VDC coaxial interface and 1 RJ 45 10 m/100 m self-adaptive Ethernet port)
Reset Key	Yes, Press to switch between performance mode and proactive mode. Hold the button for 10 sec to restore to defaults.
Event	
Basic Event	Exception, PIR Alarm
Linkage	Upload to FTP/NAS/memory card, notify surveillance center, send email, trigger recording
General	
Power	6 to 15 VDC, 1.03 to 0.73 A, max. 6.2 W
General Function	Heartbeat, one-key reset, anti-banding, password protection, watermark, IP address filter
Material	Plastic

Dimension	With antennas folded: 172.8 mm × 139.7 mm × 86.7 mm (6.8" × 5.5" × 3.4"), with antennas extending: 283.3 mm × 139.7 mm × 86.7 mm (11.2" × 5.5" × 3.4")
Language	33 languages: English, Russian, Estonian, Bulgarian, Hungarian, Greek, German, Italian, Czech, Slovak, French, Polish, Dutch, Portuguese, Spanish, Romanian, Danish, Swedish, Norwegian, Finnish, Croatian, Slovenian, Serbian, Turkish, Korean, Traditional Chinese, Thai, Vietnamese, Japanese, Latvian, Lithuanian, Portuguese (Brazil), Ukrainian
Package Dimension	260 mm × 217 mm × 241 mm (10.2" × 8.5" × 9.5")
Weight	Approx. 0.63 kg (1.39 lb.)
With Package Weight	Approx. 1.588 kg (3.5 lb.)
Storage Conditions	-20 °C to 60 °C (-4 °F to 140 °F). Humidity 95% or less (non-condensing)
Startup and Operating Conditions	-20 °C to 60 °C (-4 °F to 140 °F). Humidity 95% or less (non-condensing)
Battery	
Battery Type	Chargeable lithium battery or 5AA dry cell
Battery Voltage	Rated voltage: 7.2 VDC Charging voltage: 8.4 VDC Discharging cut-off voltage: 5.6 VDC
Capacity	9.4 Ah
Operating Temperature	-20 °C to 60°C (-4 °F to 140 °F)
Cycle Lifetime	Cycle lifetime is calculated under the condition that the camera captures pictures 10 times per day (9 times during the day and 1 time at night), uploads once per day, and keeps alive for 3 hours per day with the ambient temperature at 25 °C (77 °F). Cycle lifetime: 125 days Make sure the battery is fully charged before using the device.
Approval	
RF	CE-RED: EN 301489-1 V2.2.3, EN 301489-17 V3.2.4, EN 301489-52 V1.2.1, EN 300 328 V2.2.2, EN IEC 62311:2020
EMC	CE-EMC: EN 55032:2015+A11:2020+A1:2020, EN 50130-4:2011+A1:2014, RCM: AS/NZS CISPR 32: 2015
Safety	CB: IEC 62368-1: 2014+A11
Environment	CE-RoHS: 2011/65/EU, WEEE: 2012/19/EU, Reach: Regulation (EC) No 1907/2006
Protection	IP67: IEC 60529-2013

▪ Typical Application

Hikvision products are classified into three levels according to their anti-corrosion performance. Refer to the following description to choose for your using environment.

This model has NO SPECIFIC PROTECTION.

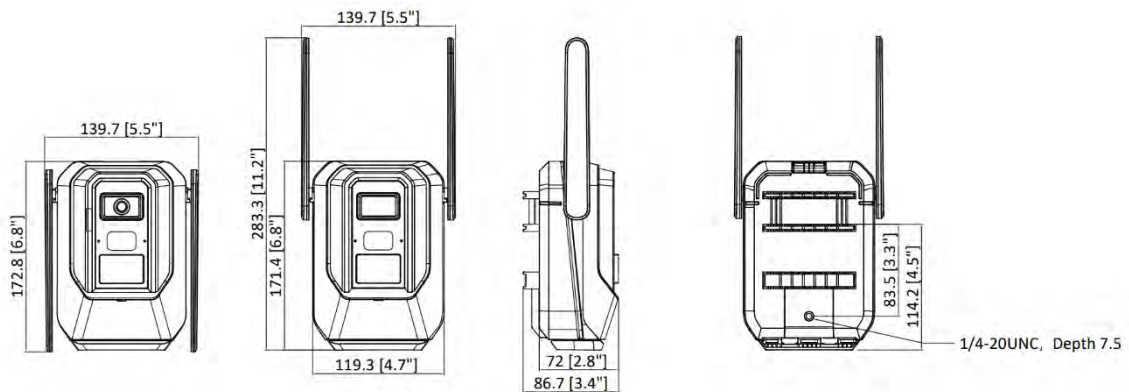
Level	Description
Top-level protection	Hikvision products at this level are equipped for use in areas where professional anti-corrosion protection is a must. Typical application scenarios include coastlines, docks, chemical plants, and more.

Moderate protection	Hikvision products at this level are equipped for use in areas with moderate anti-corrosion demands. Typical application scenarios include coastal areas about 2 kilometers (1.24 miles) away from coastlines, as well as areas affected by acid rain.
No specific protection	Hikvision products at this level are equipped for use in areas where no specific anti-corrosion protection is needed.

▪ **Available Model**

- DS-2XS6F85G1-IC1/4G(2.8mm)
- DS-2XS6F85G1-IC1/4G(6mm)
- DS-2XS6F85G1-LC1/4G(2.8mm)
- DS-2XS6F85G1-LC1/4G(6mm)

▪ **Dimension**



Unit: mm(inch)

Camera Mounting Hole (mm)	Camera Mounting Hole (inch)
1/4-20UNC	1/4-20UNC

Headquarters

No.555 Qianmo Road, Binjiang District,
Hangzhou 310051, China
T +86-571-8807-5998
www.hikvision.com



Follow us on social media to get the latest product and solution information.

