

DS-2XT6445G2-L/C08

4 MP High Temperature Camera



It can be widely used in tobacco baking houses, farms, food processing places, high temperature test chambers and other high temperature scenarios that less than 85 °C (185 °F).

- High quality imaging with 4 MP resolution
- Clear imaging against strong back light due to 120 dB WDR technology
- Supports white light with a supplement light range of up to 10 m
- Water and dust resistant (IP67)
- Access to up to 8-channel temperature and humidity sensor with RS-485 interface
- Supports semiconductor cooling technology for 24/7 working in high temperature environment (less than 85 °C (185 °F))

▪ Specification

Camera	
Image Sensor	1/1.8" Progressive Scan CMOS
Max. Resolution	2560 × 1440
Min. Illumination	Color: 0.0005 Lux @ (F1.2, AGC ON), 0 Lux with light
Shutter Time	1 s to 1/100,000 s
Lens	
Focal Length & FOV	2.8 mm, horizontal FOV 114°, vertical FOV 58°, diagonal FOV 142.6° 4 mm, horizontal FOV 91.1°, vertical FOV 47.9°, diagonal FOV 108.1°
Lens Mount	M16
Iris Type	Fixed
Aperture	F1.8
DORI	
DORI	2.8 mm: D: 58.8 m, O: 23.3 m, R: 11.8 m, I: 5.9 m 4 mm: D: 69.7 m, O: 27.6 m, R: 13.9 m, I: 7.0 m
Illuminator	
Supplement Light Type	White Light
Supplement Light Range	Up to 10 m
Smart Supplement Light	Yes
Video	
Main Stream	50 Hz: 25 fps (2560 × 1440, 1920 × 1080, 1280 × 720) 60 Hz: 30 fps (2560 × 1440, 1920 × 1080, 1280 × 720)
Sub-Stream	50 Hz: 25 fps (704 × 576, 640 × 480) 60 Hz: 30 fps (704 × 480, 640 × 480)
Third Stream	50 Hz: 10 fps (1920 × 1080, 1280 × 720, 704 × 576, 640 × 480) 60 Hz: 10 fps (1920 × 1080, 1280 × 720, 704 × 576, 640 × 480)
Video Compression	Main stream: H.265/H.264, Sub-stream: H.265/H.264/MJPEG, Third stream: H.265/H.264
Video Bit Rate	32 Kbps to 8 Mbps
H.264 Type	Main Profile, Baseline Profile, High Profile
H.265 Type	Main Profile
Bit Rate Control	CBR, VBR
Scalable Video Coding (SVC)	H.264 encoding, H.265 encoding
Region of Interest (ROI)	5 fixed regions for main stream
Target Cropping	Yes
Network	
Protocols	TCP/IP, ICMP, HTTP, HTTPS, FTP, SFTP, DHCP, DNS, DDNS, RTP, RTSP, RTCP, PPPoE, NTP, UPnP, SMTP, SNMP, IGMP, 802.1X, QoS, IPv6, UDP, SSL/TLS, WebSocket, WebSockets, Bonjour
Simultaneous Live View	Up to 20 channels
API	ISAPI, SDK, ISUP
User/Host	Up to 32 users 3 user levels: administrator, operator, and user

Security	Password protection, complicated password, HTTPS encryption, 802.1X authentication (EAP-TLS, EAP-LEAP, EAP-MD5), watermark, IP address filter, basic and digest authentication for HTTP/HTTPS, WSSE and digest authentication for Open Network Video Interface, RTP/RTSP OVER HTTPS, Control Timeout Settings, Security Audit Log, TLS 1.2
Network Storage	NAS (NFS, SMB/CIFS), Auto Network Replenishment (ANR)
Client	iVMS-4200, Hik-Connect
Web Browser	Plug-in required live view: IE 11, Plug-in free live view: Safari 12+, Local service: Chrome 57.0+, Firefox 52.0+, Not recommended: Safari11+, Edge
Image	
Image Parameters Switch	Yes
Image Settings	Saturation, brightness, contrast, sharpness, AGC, white balance, adjustable by client software or web browser
Day/Night Switch	Day, Night, Auto, Schedule
Wide Dynamic Range (WDR)	120 dB
SNR	≥ 50 dB
Image Enhancement	BLC, HLC
Privacy Mask	Yes
Picture Overlay	Yes
Interface	
Ethernet Interface	1 RJ45 10 M/100 M self-adaptive Ethernet port
RS-485	1 RS-485 (Half duplex, HIKVISION, Pelco-P, Pelco-D, self-adaptive)
Reset Key	Yes
Indicator	Yes
Event	
Basic Event	Motion detection, network disconnected, IP address conflict, illegal login, HDD full, HDD error, video quality diagnosis
Smart Event	Line crossing detection, intrusion detection, region entrance detection, region exiting detection, scene change detection, defocus detection, unattended baggage detection, object removal detection
Linkage	Upload to FTP/NAS/memory card, notify surveillance center, send email, white light flashing
General	
Power	12 VDC ± 20%, 1.5 A, max. 18 W
Material	Metal
Dimension	138.2 mm × 90.2 mm × 90.5 mm (5.44" × 3.55" × 3.56")
Package Dimension	235 mm × 120 mm × 125 mm (9.25" × 4.72" × 4.92")
Weight	Approx. 1.005 kg (2.216 lb.)
With Package Weight	Approx. 1.220 kg (2.69 lb.)
Storage Conditions	-30 °C to 60 °C (-22 °F to 140 °F). Humidity 95% or less (non-condensing)
Startup and Operating Conditions	-10 °C to 85 °C (14 °F to 185 °F). Humidity 95% or less (non-condensing)

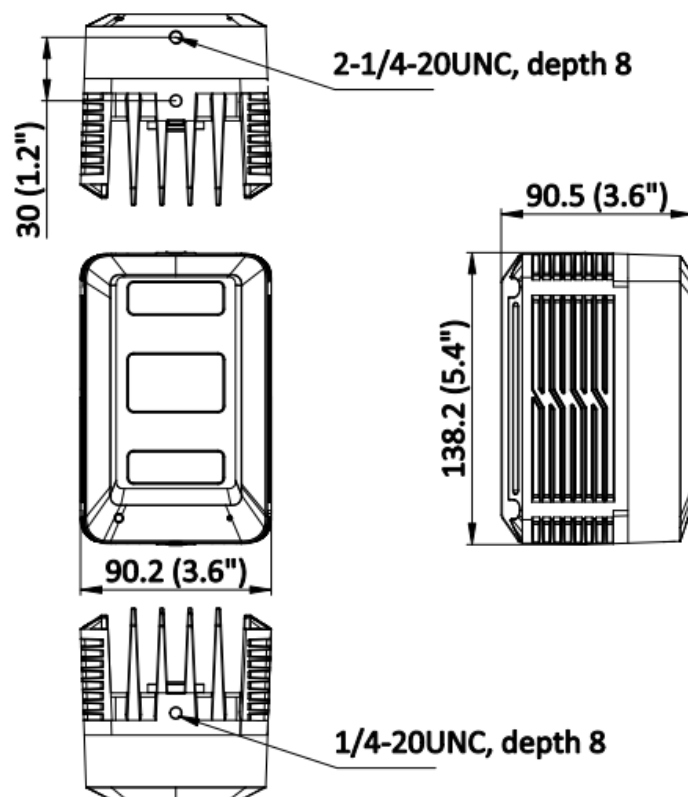
Language	33 languages: English, Russian, Estonian, Bulgarian, Hungarian, Greek, German, Italian, Czech, Slovak, French, Polish, Dutch, Portuguese, Spanish, Romanian, Danish, Swedish, Norwegian, Finnish, Croatian, Slovenian, Serbian, Turkish, Korean, Traditional Chinese, Thai, Vietnamese, Japanese, Latvian, Lithuanian, Portuguese (Brazil), Ukrainian
General Function	Heartbeat, pixel counter, password protection
Approval	
EMC	CE-EMC: EN 55032:2015+A1:2020, EN 50130-4:2011+A1:2014, EN IEC 61000-3-2:2019+A1:2021, EN 61000-3-3:2013+A1:2019+A2:2021
Safety	CB: IEC 62368-1: 2014+A11, CE-LVD: EN 62368-1: 2014/A11: 2017
Environment	CE-RoHS: 2011/65/EU, WEEE: 2012/19/EU, Reach: Regulation (EC) No 1907/2006
Protection	IP67: IEC 60529-2013

▪ Available Model

DS-2XT6445G2-L/C08(4mm)



DS-2XT6445G2-L/C08(2.8mm)

▪ Dimension



Unit: mm(inch)

- Accessory
- Optional

DS-1299ZJ Pendant Mount	DS-1292ZJ Wall mount
	

Headquarters

No.555 Qianmo Road, Binjiang District,
Hangzhou 310051, China
T +86-571-8807-5998
www.hikvision.com



Follow us on social media to get the latest product and solution information.



Hikvision



HikvisionHQ



HikvisionHQ



Hikvision_Global

Hikvision
Corporate Channel

hikvisionhq