

iDS-UL2P 1080P AI Web Camera



- High quality imaging with 1920 × 1080 resolution, up to 60 fps
- Sharp Auto Focus (SAF) offers clear image when shooting at a close range
- Built-in dual-microphone picks up clear sounds at long distances
- Supporting type A and type C interface. Plug-and-play, no need to install driver software
- AI face beautification makes everyone looks better in the video
- Auto Frame keeps the face in the center
- Five levels of supplement light to easily adapt to low light environment
- The tripod in the package for flexible mounting

▪ Specification

Camera	
Image Sensor	1/2.7" 2 MP CMOS
Signal System	PAL/NTSC
Frame Rate	MJPG: 1920 × 1080 @60 fps/50 fps/30 fps/25 fps 1280 × 960 @60 fps/50 fps/30 fps/25 fps 1280 × 720 @60 fps/50 fps/30 fps/25 fps 640 × 480 @60 fps/50 fps/30 fps/25 fps 640 × 360 @60 fps/50 fps/30 fps/25 fps YUV2: 1920 × 1080 @5 fps 1280 × 960 @5 fps 1280 × 720 @10 fps 640 × 480 @30/25 fps 640 × 360 @30 fps/25 fps NV12: 1920 × 1080 @5 fps 1280 × 960 @5 fps 1280 × 720 @10 fps 640 × 480 @30/25 fps 640 × 360 @30 fps/25 fps
Resolution	1920 (H) × 1080 (V)
Min. Illumination	0.1 Lux @ (F1.2, AGC ON)
Shutter Time	PAL: 1/25 s to 1/50,000 s; NTSC: 1/30 s to 1/50,000 s
Lens	Fixed focal lens, 3.6 mm
Field of View	horizontal FOV: 86°, vertical FOV: 55°, diagonal FOV: 95°
Lens Mount	M8
Angle Adjustment	Pan: 0° to 0°, tilt: 0° to 90°, rotate: 0°
Digital Zoom	2 ×
Depth of Field	0.1 m to ∞
Microphone	
Type	Electret
Direction	360° Omni-directional
Pickup Distance	In a radius of up to 5 m
Amount	2
Frequency Response	100 Hz to 16 kHz
Sensitivity	-32 dBV/Pa
SNR	60 dB(A)
Sampling Rate	16 KHz
Functions	
Image Function	Face AE, Auto Frame
Image	
Wide Dynamic Range (WDR)	≥120 dB
White Balance	Auto

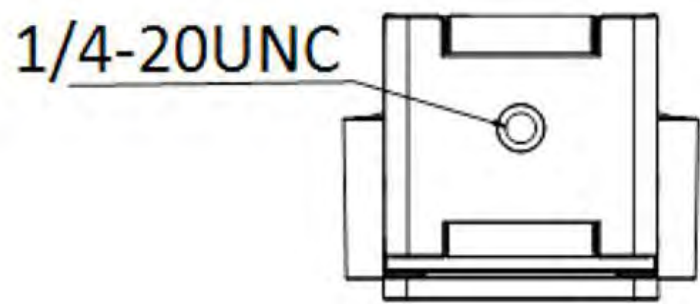
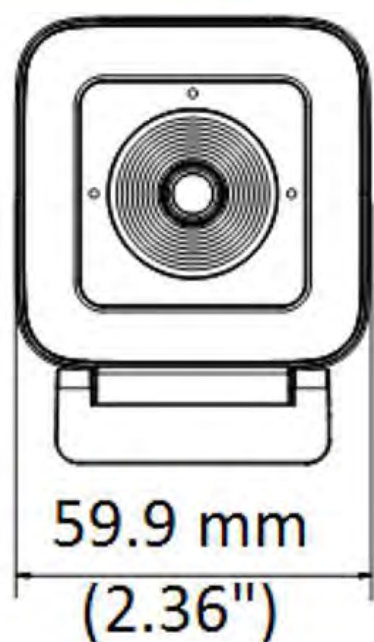
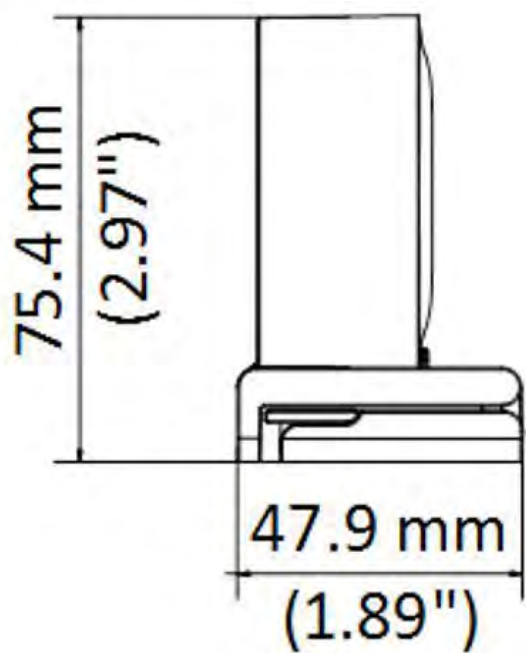
Interface	
Operating System	Recommended systems Windows 7/8/10/11 Android 8.1 and above version Linux 4.14 and above version macOS 10.12 and above version Chrome OS
Built-in Microphone	2 built-in microphones, picking up sounds in the radius up to 5 m
Indicator	White: Working
Cable	Type C to Type A interface (with type A to type C adapter on the cable)
Device Interface	USB Type C interface
General	
Package Dimension	166 mm × 96 mm × 75.5 mm (6.54" × 3.78" × 2.97")
With Package Weight	Approx. 536 g (1.18 lb.)
Color	White, black
Operating Conditions	-10 °C to 45 °C (14 °F to 113°F). Humidity: 90% or less (non-condensing)
Power Supply	5 VDC ± 5% (USB interface), max. 4.5 W
Material	Plastic
Dimension	75.4 mm × 59.9 mm × 47.9 mm (2.97" × 2.36" × 1.89")
Weight	Approx. 109 g (0.24 lb.)
Packing List	tripod × 1 privacy cover × 1 USB 2.0 cable (2 m) × 1 Type C to Type A interface × 1 Multilingual Quick Start Guide × 1 QR code paper card for User Manual × 1

▪ Available Model

iDS-UL2P(Black)

iDS-UL2P

▪ Dimension



Headquarters

No.555 Qianmo Road, Binjiang District,
Hangzhou 310051, China
T +86-571-8807-5998
www.hikvision.com



Follow us on social media to get the latest product and solution information.

