

60 SERIES HC60WM20R1



60s 20MP IP IR Multi-Sensor Camera, PoE+



OPERATIONAL	
Video Standard	NTSC/PAL
Scanning System	Progressive
Image Sensor	1/2.7" CMOS x 4
Sensor Size (H x V)	(5.434 x 3.948 mm) x 4
Number Of Pixels (H x V)	(2688 x 1944 px) x 4
Minimum Illumination (Color/BW)	0.035 Lux @ F1.9 (Color) 0 Lux with IR on
S/N Ratio	50 db
Electronic Shutter Speed	1/5 to 1/32,000
IR Distance	30 M
IR Light Control	Full strength IR and Manual IR control
IR Light Number	8
Day/Night	Auto/Day/Night/Synchronize with digital input/Schedule
Backlight Compensation	WDR, BLC, HLC
White Balance	Auto/Fixed Current/Manual
Gain Control	0-100%
Wide Dynamic Range	120 dB
Noise Reduction	3 DNR
Lens	3.7 ~ 7.7mm, Fixed Iris, F 1.9 ~ F 2.9, MFZ
Angle Of View (H x V x D)	H:38.3° ~ 83.9° V:21.5° ~ 45.3° for each lens
Privacy Masking	Off/On (5 Areas)
Defog	Supported
Encryption Chipset	FIPS 140-2 chipset built-in
Local Storage	Micro SD (up to 1 TB)
Alarm Inputs/Outputs	1 In/1 Out
Tilt Range	0° ~ 105° each lens
VIDEO	
Video Compression	H.265 HEVC/H.264/MJPEG
Resolution	5M: 1st: 2688 x 1920, 2560 x 1920, 2160 x 1536, 2048 x 1536, 1680 x 1200, 1600 x 1200, 1344 x 960, 1280 x 960, 672 x 480, 640 x 480 2nd: 1280 x 960, 672 x 480, 640 x 480 4M: 1st: 2560 x 1440, 1920 x 1080, 1280 x 720, 640 x 360 2nd: 1280 x 720, 640 x 360
Number Of Video Streams	2 x 4 channel
Frame Rate (2 streams x 4 channels)	Main Stream: MAX 12 fps @ 5 M, MAX 25/30 fps @ 4 M Second Stream: MAX 12 fps @ 5 M, MAX 25/30 fps @ 4 M
Bit Rate	20K ~ 80Mbps

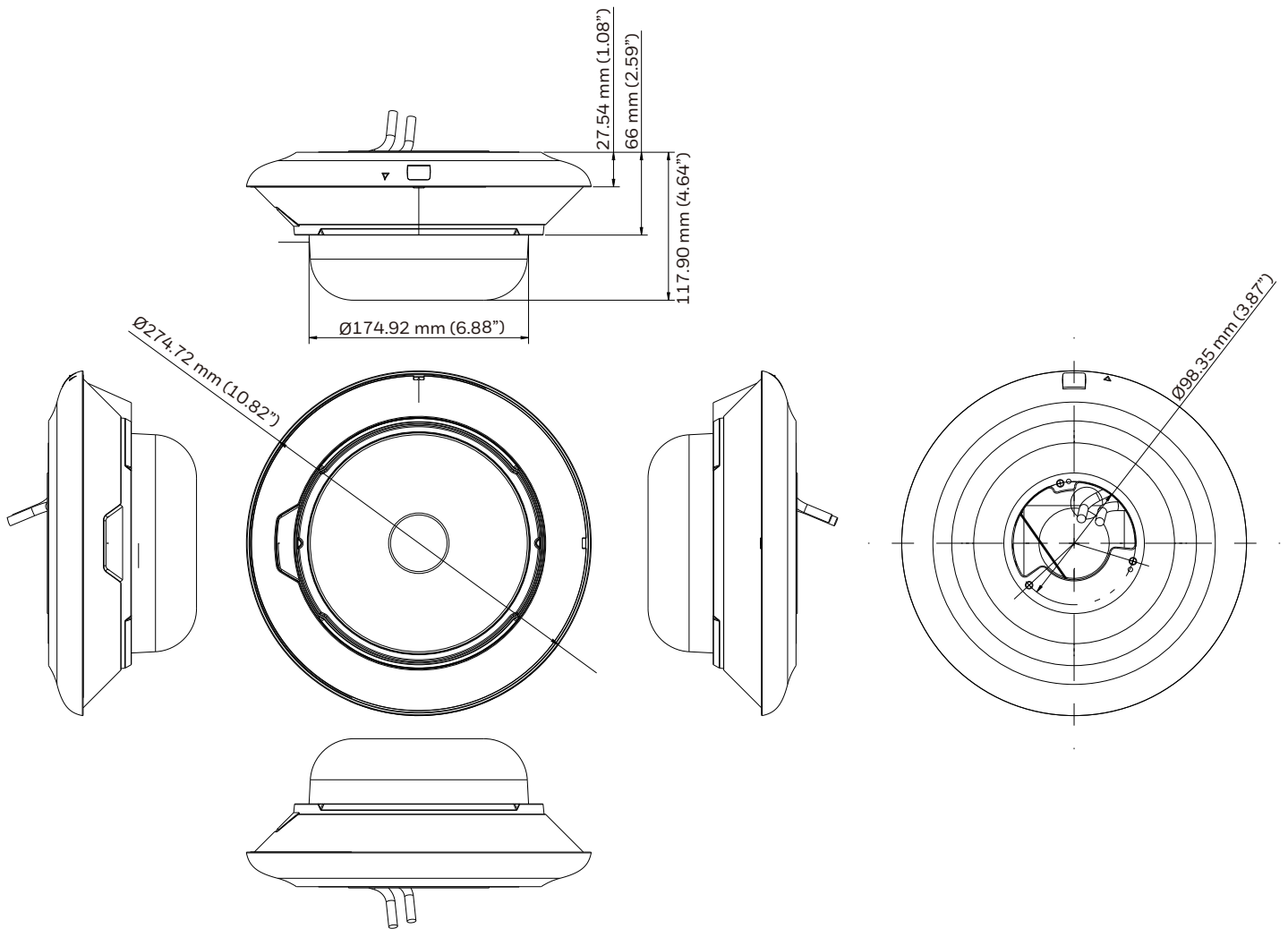
AUDIO	
Audio Compression	G.711, G.726
Audio Stream	One-Way Audio
Audio Interface	Line In/Out, Microphone
NETWORK	
Ethernet	10 Base-T/100/1000 Base-TX Ethernet (RJ-45)
Supported Web Browsers	Chrome/EDGE (Supports H.264 and mjpeg)
Supported OS	Microsoft Windows 10
Protocols*	IPv4, IPv6, TCP / IP, HTTP, HTTPS, RTSP / RTP / RTCP, IGMP / Multicast, SMTP, DHCP, NTP, DNS, QoS, SNMP, 802.1X, UDP, ARP, TLS, sFTP, DDNS
Interoperability	ONVIF Profile G/S
Maximum Users Access	10 Users
Security	Software: Firmware encrypted & signed, SD card encryption, user account and password protection, HTTPS over TLSv1.2 by default, IP address filtering, protection against brute force and password guessing, digest authentication, streaming encryption, AES 128/256 support, Unsecure services as ftp or telnet disabled, PCI DSS compliance & attestation. Hardware: Secure boot, FIPS chipset built-in
Languages Supported	English, French, German, Italian, Japanese, Portuguese, Russian, Spanish, Traditional Chinese
EVENTS/ANALYTICS	
Video Analytics	Motion Detection, Tampering, Audio detection
Event Type	Video motion detection, Periodically, Alarm input, System boot, Recording notification, Audio detection, Camera tampering detection
Event Linkage	Event notification using digital output, HTTP, sFTP, Email and MicroSD card
ELECTRICAL	
Power Supply	AC24V 1.48A IEEE 802.3at PoE Class 4
Power Consumption (Max)	Max: 25 W
MECHANICAL	
Dimensions	ø 274.72 x 117.90 mm (10.82" x 4.64")
Product Weight	2.868 kg (6.32 lb)
Package Weight	3.670 kg (8.09 lb)
Body Material	Die-cast aluminium
Color	RAL 9003 (Signal White) IR Light Cover: Pantone Black

* Some development may be required in specific user cases to support some of these protocols in the field as they mature over time.

60 SERIES 60S 20MP IP IR MULTI-SENSOR CAMERA

ENVIRONMENTAL		REGULATORY	
Operating Temperature	Starting Temperature: -30°C ~ 50°C (-22°F ~ 122°F) Working Temperature: -40°C ~ 60°C (-40°F ~ 140°F)	Emissions	FCC PART 15, CE (EN 55032), Complies with RCM and UKCA
Relative Humidity	Less than 95 %, non-condensing	Immunity	CE(EN 50130-4, EN 55035, EN 61000-3-2, EN 61000-3-3), Complies with RCM and UKCA
Ingress Protection	IP66/NEMA 4X	Safety	UL LISTED TO UL/CSA 62368-1, CE(EN 62368-1), Complies with RCM and UKCA
Impact Resistance	IK10	RoHS	CE(EN 63000), UAE (Cabinet Decree No.10 of 2017)
Heater	Yes	Country of Origin	Taiwan

DIMENSIONS



60 SERIES 60S 20MP IP IR MULTI-SENSOR CAMERA

RECOMMENDED ACCESSORIES

SYSTEM COMPATIBILITY	
Pro-Watch NVR	Up to 256 IP channels RAID5/6 enterprise NVR
MAXPRO NVR PE	Up to 128 IP channels RAID5/6 enterprise NVR
MAXPRO NVR SE	Up to 64 IP channels system NVR
MAXPRO NVR XE	Up to 16 IP channels system NVR
MAXPRO NVR Software	Up to 128 IP channels recording software
ADPRO NVR IFT-E	Up to 32 IP channels with up to 32 VA channels NVRs
ADPRO NVR IFT	Up to 32 IP channels or 16 IP channels with up to 16 VA channels NVRs
ADPRO NVR EFT	Up to 16 IP channels or 8 IP channels with up to 8 VA channels NVRs
ADPRO NVR IFT Gateway	4 IP channels + 4 VA channels
35 Series NVR	4/8/16/32-channel 35 series NVRs (H.264 and H.265)

OPTIONAL MOUNTS AND ACCESSORIES*	
HA60ICMM	Multi-sensor in-ceiling mount bracket
HA30PMB01	Pendant mount base
HA30PME02	Pendant mount extend bracket
HA60PCMZ	Pendant mount cap
HA60MLMM	Multi-sensor wall mount bracket
HA60PLMM	Multi-sensor pole mount bracket
HA60CNMM	Multi-sensor corner mount bracket

* Mounting accessories are not included with camera and must be ordered separately. Please refer to the cross reference matrix or accessories datasheet for detailed information.

ORDERING

ORDERING	
HC60WM20R1	60S WDR 20MP IP IR Multi-Sensor Camera, 3.7 ~ 7.7 mm, PoE+/AC24V, Audio & Alarm In/Out, IP66, NEMA 4X, IK10



For more information

buildings.honeywell.com/security

Building Automation

Commercial Security
715 Peachtree St. NE
Atlanta, GA 30308
1.800.323.4576
www.honeywell.com

ONVIF and the ONVIF logo are trademarks of ONVIF Inc.
Honeywell reserves the right, without notification, to
make changes in product design or specifications.

HSV-HC60WM20R1-01-US(0324)DS-Y
© 2024 Honeywell International Inc.

Honeywell