

# 70 SERIES HC70WB8R2



## 8MP Network Outdoor Bullet Camera

OPERATIONAL	
Video Standard	NTSC/PAL
Scanning System	Progressive
Image Sensor	Sony IM x 334, 1 / 1.8"
Sensor size (H x V)	7.68 x 4.32 mm
Number Of Pixels (H x V)	8 MP (3840 x 2160)
Minimum Illumination (Color/BW)	Color: 0.005 Lux @F1.5, B/W: 0Lux @F1.5(IR on)
S/N Ratio	>50dB
Electronic Shutter Speed	Exposure Mode: manual Min exposure time: 1/32000-1/120 Max exposure time: 1/25000-1
IR Distance	60m
IR Light Control	Smart IR ( Auto / Manual ) / OFF, External IR trigger by output
IR Light Number	4
Removable IR-Cut Filter	Yes
Day/Night	Auto/Day/Night/Schedule
Backlight Compensation	WDR, HLC
White Balance	Auto/Fixed Current/Manual
Gain Control	0-100%
Wide Dynamic Range	130 dB
Noise Reduction	3D DNR
Lens	Remote Focus, 3.6mm-11mm, MFZ, P-IRIS, F1.5 ~ F2.8
Angle Of View (H x V)	H: 108° ~ 50°, V: 60° ~ 28°
G-Sensor	Support Camera Direction OSD Display ( Default-Off )
Privacy Masking	Off / On (5 Areas)
Defog	Support
Encryption Chipset	Built-in FIPS 140-2 certified encryption Chipset
Local Storage	2 Micro SD / SDHC / SDXC card slot , SD Card encryption
Micro USB	Support WIFI Dongle configuration
Alarm Inputs / Outputs	1 In / 1 Out
VIDEO	
Smart Video Analytics (Built-in)	Intrusion Detection, Loiter Detection, Line crossing, Face Detection, Object left unattended, Object Removed, Motion Detection, Tampering detection
Video Analytics (Additional license required)	License plate recognition, People recognition, Face recognition
Compression	H.265 HEVC / H.264 / MJPEG, Smart Codec
Resolution (16/9)	3840 x 2160 (8M), 3264 x 1840 (6M), 2592 x 1944 (5M), 2688 x 1520 (4M), 2048 x 1536 (3M), 1920 x 1080 (2M), 1280 x 960, 1280 x 720 (1M), 800 x 600, 640 x 480, 640 x 360, 320 x 240
Number of Video Streams	3
Frame Rate Main Stream	30fps (8M mode), 60fps (2M mode)
Frame Rate Second Stream	30fps (8M mode), 60fps (2M mode)
Frame Rate Third Stream	30fps (8M mode), 60fps (2M mode)
Bit Rate	16K - 80Mbps

AUDIO	
Compression	G.711a / G.711Mu / G.726
Stream	Full duplex, simplex
Interface	Line In/Out
NETWORK	
Ethernet	10 Base-T / 100 Base-TX Ethernet (RJ-45)
Supported Web Browsers	Mozilla Firefox , Chrome, Microsoft Edge
Supported OS	Microsoft Windows 10
Protocols*	IPv4, IPv6, TCP/IP, HTTP, HTTPS, UPnP, RTSP/RTP/RTCP, IGMP/ Multicast, SMTP, DHCP, NTP, DNS, DDNS, CoS, QoS, SNMP, 802.1X, UDP, ICMP, ARP, TLS
Interoperability	ONVIF Profile G / S / T
Maximum Users Access	10 Users
Security	User account and password protection, HTTPS, IP Filter, Digest authentication, TLS1.2 only, Stream encryption, AES128/256, SSH/Telnet closed, PCIDSS compliance, FIPS 140-2 certified Chipset Built-In
Languages Supported	English, French, German, Italian, Japanese, Portuguese, Russian, Spanish, Traditional Chinese
EVENTS	
Event type	Video Analytics, Periodically, Alarm input, System boot, Recording notification
Event linkage	Event notification using digital output, HTTP, Email and MicroSD card
Region Of Interest	6
ELECTRICAL	
Power Supply	AC24V , PoE ( IEEE 802.3at, Class 4 )
Power Consumption (Max)	24W
MECHANICAL	
Dimensions (D x D x L)	104.9mm x 104.9mm x 171.3mm (4.11" x 4.11" x 6.74")
Product Weight	1.75kg (3.86lb)
Package Weight	2.2kg (4.85lb)
Body Material	Polycarbonate / Metal (die casting aluminum with powder coating)
Color	RAL 120-1 (Honeywell White) / RAL 7022 (Dark Gray)
ENVIRONMENTAL	
Operating Temperature	-40°C ~ 60°C (65°C 4hours)
Relative Humidity	Less than 90%, non - condensing
Ingress Protection	IP66/IP67 / NEMA 4 X
Impact Resistance	IK10
Heater	Yes
Gore Vent	Yes

**Honeywell**

# 70 SERIES 8MP NETWORK OUTDOOR BULLET CAMERA

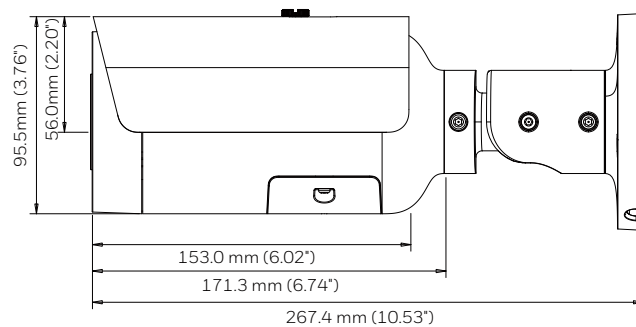
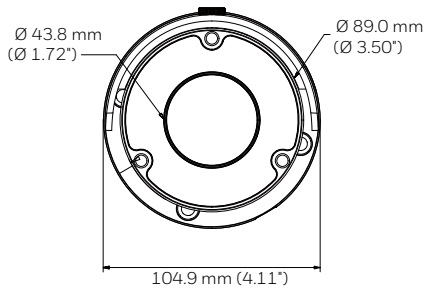
REGULATORY	
Emissions	FCC PART 15, CE (EN 55032), comply with RCM and UKCA
Immunity	CE(EN 50130-4), comply with RCM and UKCA
Safety	UL LISTED TO UL/CSA 62368-1, CE(EN 62368-1), UL/CSA 60950-22, CE(EN 60950-22), comply with UKCA
RoHS	CE(EN 50581), UAE(Cabinet Decree No.10 of 2017)
Country of Origin	Taiwan

SYSTEM COMPATIBILITY	
Pro-Watch NVR	Up to 256 IP Channels RAID5/6 Enterprise NVR
Maxpro NVR PE	Up to 128 IP Channels RAID5/6 Enterprise NVR
Maxpro NVR SE	Up to 64 IP Channels System NVR
Maxpro NVR XE	Up to 16 IP Channels System NVR
Maxpro NVR Software	Up to 128 IP Channels Recording Software
Adpro NVR Fasttrace 2E	Up to 32 IP Channels with up to 32 VA Channels NVRs
Adpro NVR iFT-E	Up to 32 IP Channels with up to 32 VA Channels NVRs
Adpro NVR iFT	Up to 32 IP Channels or 16 IP Channels with up to 16 VA Channels NVRs
Adpro NVR iFT Gateway	4 IP Channels + 4 VA Channels
Honeywell DVM	Supported with Honeywell DVM R700 , DVM R620
30 Series NVR	Integration with 30 Series NVR

OPTIONAL MOUNTS AND ACCESSORIES	
HA60BB1	Junction box , 60 series outdoor bullet
HA60WIF	Wifi dongle and USB adapter for camera configuration

ORDERING	
HC70WB8R2	8MP Network IR Bullet Camera, TDN, WDR, 1/2.7" CMOS, 3.6-11mm MFZ, 4 IR LEDs, H.265, PoE, IP66/IP67/IK10, NDAA Compliant
HV70LPRL1	Honeywell License Plate recognition L1, Stop & Go
HV70LPRL2	Honeywell License Plate recognition L2, Up to Speed 30mph
HV70LPRL3	Honeywell License Plate recognition L3, Up to Speed 80mph

## DIMENSIONS



### For more information

[buildings.honeywell.com/security](http://buildings.honeywell.com/security)

### Honeywell Commercial Security

715 Peachtree St. NE  
Atlanta, GA 30308  
1.800.323.4576  
[www.honeywell.com](http://www.honeywell.com)



ONVIF and the ONVIF logo are trademarks of ONVIF Inc.  
HEVC Advance logo is a trademark of HEVC Advance  
Honeywell reserves the right, without notification, to make changes in product design or specifications.

HSV-HC70WB8R2-01-US(1121DS-Y)  
© 2021 Honeywell International Inc.

**Honeywell**