

# 30 SERIES

## HC30WE2R3

## HC30WE5R3



### 2MP/5MP IP WDR IR Ball Camera

OPERATIONAL	
Video Standard	NTSC/PAL
Scanning System	Progressive
Image Sensor	<b>HC30WE2R3:</b> 1/2.9" Progressive CMOS <b>HC30WE5R3:</b> 1/2.7" Progressive CMOS
Number Of Pixels (H x V)	<b>HC30WE2R3:</b> 1920(H) x 1080(V) <b>HC30WE5R3:</b> 2560(H) x 1920(V)
Minimum Illumination	<b>HC30WE2R3:</b> 0.065lux color @ F2.0, 0 lux B/W with IR LEDs on @ F2.0 <b>HC30WE5R3:</b> 0.03 lux color @ F2.0, 0 lux B/W with IR LEDs on @ F2.0
S/N Ratio	> 55 dB
Electronic Shutter Speed	1/5 ~ 1/32,000
IR Distance	Distance up to 50m (165ft)
IR Light Control	Smart IR (Auto/Manual)/OFF
IR Light Number	2
Day/Night	Auto/Day/Night/Schedule
Backlight Compensation	WDR, HLC
White Balance	Auto/Fixed Current/Manual
Gain Control	0-100%
Wide Dynamic Range	120dB
Noise Reduction	3D DNR
Privacy Masking	Off / On (5 Areas)
Motion Detection	Motion/Intrusion/People detection
Tampering Detection	Tampering Detection/Image too dark detection/Image too bright detection/Image too blurry detection
Region Of Interest	Support
Lens	2.8mm, Fixed, F2.0
Angle Of View	<b>HC30WE2R3:</b> H:109°, V:59° <b>HC30WE5R3:</b> H:103°, V:76° @5M <b>HC30WE5R3:</b> H:108°, V:60° @4M
VIDEO	
Video Compression	H.265/H.264/Smart Codec/MJPEG
Resolution	<b>HC30WE2R3:</b> 1920x1080/1600x904/1360x768/ 1280x720/640x360/480x272 <b>HC30WE5R3 (5MP):</b> 2560x1920/2048x1536/ 1600x1200/1280x960/800x- 600/640x480; <b>HC30WE5R3 (4MP):</b> 2688x1520/1920x1080/ 1600x904/1280x720/640x360
Frame Rate	<b>HC30WE2R3:</b> Main Stream: 1080P (1 ~ 25/30fps); Sub Stream: 720P (1 ~ 25/30fps); Third Stream: 640x360(1 ~ 25/30fps); <b>HC30WE5R3:</b> Main Stream: 5M/4M (1 ~ 25/30fps); *Up to 30fps @5M under H.265 only Sub Stream: 800x600 (1 ~ 25/30fps); Third Stream: VGA (1 ~ 25/30fps)

Bit Rate Control	Constrained bit rate/Fixed quality
Bit Rate	20k ~ 40Mbps
NETWORK	
Ethernet	10 Base-T/100 Base-TX Ethernet (RJ-45)
Supported Web Browsers	Chrome 71+, Internet Explorer 11.0+
Supported OS	Microsoft Windows 7/10
Protocols*	IPv4, IPv6, TCP/IP, HTTP, HTTPS, UPnP, RTSP/RTP/RTCP, IGMP, SMTP, DHCP, NTP, DNS, DDNS, CoS, QoS, SNMP, 802.1X, UDP, ICMP, ARP, TLS
Interoperability	ONVIF Profile G/S
Maximum Users Access	10 Users
Security	User account and password protection, HTTPS, IP Filter, Digest authentication, TLS1.2 only, Stream encryption, AES-128/256, SSH/ Telnet closed, PCIDSS compliance
Event	Event notification using HTTP, SMTP, NAS server and MicroSD card File upload via HTTP, SMTP, NAS server and MicroSD card
Micro SD	Micro SD/SDHC/SDXC card slot (256GB)
ELECTRICAL	
Power Supply	DC12V, PoE (IEEE 802.3af) (Class 2)
Power Consumption	MAX 6.49W
MECHANICAL	
Dimensions	ø105mm x 82.5mm (ø4.13"x3.25")
Product Weight	0.47kg
Package Weight	0.81kg
Material	Die-casting aluminum housing with coating
Construction Color	RAL 120-1 (Lyric White)
ENVIRONMENTAL	
Operating Temperature	Starting: -10°C ~ 60°C (14°F ~ 140°F) Working: -30°C ~ 60°C (-22°F ~ 140°F)
Relative Humidity	Less than 90%, non-condensing
Ingress Protection	IP66
Vandal Resistance	IK10
REGULATORY	
Emissions	FCC PART 15B, EN 55032, EN61000-6-3
Immunity	EN 50130-4
Safety	UL 62368-1, EN 62368-1
ROHS	EN 50581
Country of Origin	Taiwan

\*Some development may be required in specific user cases to support some of these protocols in the field as they mature over time.

**Honeywell**

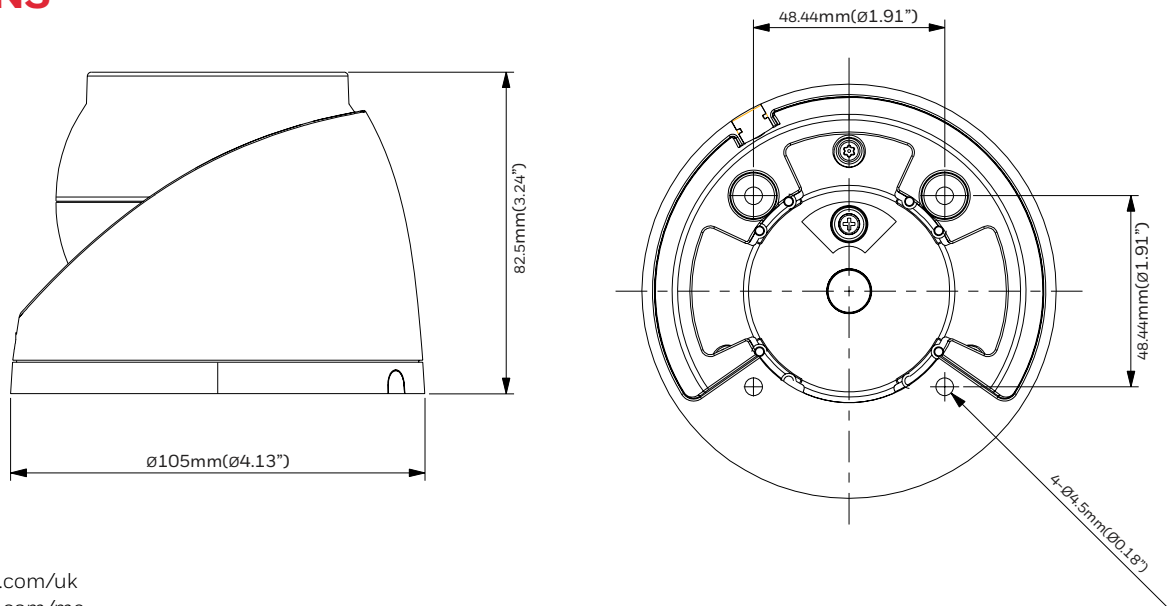
# 30 SERIES 2MP/5MP IP WDR IR BALL CAMERA

SYSTEM COMPATIBILITY	
MAXPRO NVR PE	Up to 128 IP channels RAID5/6 Enterprise NVR
MAXPRO NVR SE	Up to 64 IP channels System NVR
MAXPRO NVR XE	Up to 16 IP channels system NVR
MAXPRO NVR SOFTWARE	Up to 128 IP channels Recording Software
ADPRO NVR FASTTRACE 2E	Up to 32 IP channels with up to 32 VA channels NVRs, or Up to 20 Analogue channels Hybrids
ADPRO NVR IFT-E	Up to 32 IP channels with up to 32 VA channels NVRs
ADPRO NVR IFT	Up to 32 IP channels or 16 IP channels with up to 16 VA channels NVRs
ADPRO NVR EFT	Up to 16 IP channels with up to 8 VA channels NVRs, or Up to 16 Analogue channels Hybrids
ADPRO NVR IFT GATEWAY	4 IP channels + 4 VA channels
HEN*4	8/16/32/64-channel Performance Series NVRs (H.264 and H.265)
HEN*3	4/8/16-channel Performance Series NVRs (H.264 and H.265)

MOUNTS AND ACCESSORIES		
HQA-BB1		Junction Box
HQA-BB3		Junction Box
HQA-WK2		Wall Mount Bracket
HQA-PM2		Pole Mount Adapter with HQA-BB1/HQA-BB3

ORDERING	
HC30WE2R3	2MP Network Ball Camera, TDN, WDR, 1/2.9" CMOS, 2.8mm, 2 IR LEDs, H.265, PoE, IP66/IK10
HC30WE5R3	5MP Network Ball Camera, TDN, WDR, 1/2.7" CMOS, 2.8mm, 2 IR LEDs, H.265, PoE, IP66/IK10

## DIMENSIONS



### For more information

[www.security.honeywell.com/uk](http://www.security.honeywell.com/uk)  
[www.security.honeywell.com/me](http://www.security.honeywell.com/me)

### Honeywell Commercial Security

Honeywell Security Office -  
 Emaar Business Park,  
 Sheikh Zayed Road  
 Building No. 2, 2nd floor, 201  
 Post Office Box 232362  
 Dubai, United Arab Emirates  
 Tel: +971 44541704

Aston Fields Road  
 Whitehouse Industrial Estate  
 Runcorn, Cheshire, WA7 3DL  
 United Kingdom  
 Tel: +44 (0)8448 000 235  
[www.honeywell.com](http://www.honeywell.com)

ONVIF and the ONVIF logo are trademarks of ONVIF Inc.  
 Honeywell reserves the right, without notification, to  
 make changes in product design or specifications.

HSV-HC30WE5R3-02-UK(0619)DS-Z  
 © 2019 Honeywell International Inc.

**THE  
 FUTURE  
 IS  
 WHAT  
 WE  
 MAKE IT**

**Honeywell**