



Network

Bullet

XNO-C6083R

2MP AI IR Bullet Camera

FC | UL | CE | ENEC

Key Features

- 2MP resolution
- 2.8-12mm (4.3x) motorized varifocal
- Color: 0.011Lux (F1.4, 1/30sec, 30IRE), 0Lux (IR LED on)
- Maximum 60fps@2MP (H.265/H.264)
- WiseIR: IR viewable length 40m (131.23ft)
- Day & Night (ICR), extremeWDR (150dB)
- H.265, H.264, MJPEG, WiseStream II, WiseStream III (Using AI engine)
- DIS with built-in Gyro sensor
- Analytics events based on AI engine (NPU) : Object detection (Person/Face/Vehicle - car, truck, bus, bicycle, motorcycle/License plate),
IVA (Virtual line/Area, Enter/Exit, Loitering, Direction, Intrusion)
- Analytics events : Defocus detection, Motion detection, Tampering, Fog detection
Audio detection, Sound classification, Shock detection, Appear/Disappear
- IP66, IP67, NEMA4X, IK10

XNO-C6083R

2MP AI IR Bullet Camera



Specifications

Video

Imaging Device	1/2.8" progressive CMOS
Resolution	1920x1080, 1280x1024, 1280x960, 1280x720, 1024x768, 800x600, 800x448, 720x576, 720x480, 640x480, 640x360, 320x240
Max. Framerate	H.265/H.264: Max. 60fps/50fps(60Hz/50Hz) MJPEG: Max. 30fps/25fps(60Hz/50Hz)
Min. Illumination	Color: 0.01Lux(F1.4, 1/30sec, 30IRE) B/W : 0.001Lux(F1.4, 1/30sec, 30IRE), 0Lux(IR LED on), 30/25fps Color: 0.02Lux(F1.4, 1/60sec, 30IRE) B/W : 0.002Lux(F1.4, 1/60sec, 30IRE), 0Lux(IR LED on), 60/50fps
Video Out	USB: Micro USB Type B, 1280x720 for installation

Lens

Focal Length (Zoom Ratio)	2.8~12mm(4.3x) motorized varifocal
Max. Aperture Ratio	F1.4(Wide) ~ F3.6(Tele)
Angular Field of View	H : 119.5°(Wide) ~ 27.9°(Tele) V : 62.8°(Wide) ~ 15.7°(Tele) D : 142.1°(Wide) ~ 32.0°(Tele)
Min. Object Distance	0.5m(1.64ft)
Focus Control	Simple focus, Manual
Lens Type	DC auto iris with hall sensor (IR corrected)

Operational

Camera Title	Displayed up to 85 characters
Day & Night	Auto(ICR)
Backlight Compensation	BLC, HLC, WDR, SSSDR
Wide Dynamic Range	extremeWDR (150dB)
Digital Noise Reduction	WiseNR II (Based on AI engine), SSNR V
Digital Image Stabilization	Support(built-in gyro sensor)
Defog	Support
Motion Detection	8ea, 8point Polygonal zones
Privacy Masking	32ea, Quadrangle zones - Color : Gray, Green, Red, Blue, Black, White - Mosaic
Gain Control	Support
White Balance	ATW / Narrow ATW / AWC / Manual / Indoor / Outdoor
LDC	Support (Fill/stretch mode)
Electronic Shutter Speed	Minimum / Maximum / Anti flicker (2~1/12,000sec) prefer shutter control(Based on AI engine)
Video Rotation	Flip, Mirror, Hallway view(90°/270°)
Analytics	- Analytics events based on AI engine : Object detection (Person/Face/Vehicle(car/bus/truck/motorcycle/bicycle)/License plate), IVA (Virtual line/Area, Enter/Exit, Loitering, direction, Appear/Disappear, intrusion) - Analytics events : Defocus detection, Motion detection, Tampering, Fog detection, Audio detection, Sound classification, Shock detection
Business Intelligence	Based on AI engine : People counting, Queue management, Heatmap
Alarm I/O	2 configurable I/O ports
Alarm Triggers	Analytics, Network disconnect, Alarm input, App event, Time schedule

Alarm Events	When alarm trigger occurred - File upload(image) : e-mail/FTP - Notification : e-mail - Recording : SD/SDHC/SDXC or NAS recording at event triggers - Alarm output - Handover(PTZ preset, Send message by HTTP/HTTPS/TCP) - Audio clip playback
Audio In	Selectable(mic in/line in) Supply voltage: 2.5VDC(4mA), Input impedance: 2K Ohm
Audio Out	Line out, Max.output level: 1Vrms
IR Viewable Length	WiselR 40m(131.23ft)

Network

Ethernet	Metal shielded RJ-45(10/100BASE-T)
Video Compression	H.265/H.264: Main/High, MJPEG
Audio Compression	G.711 u-law /G.726 Selectable G.726(ADPCM) 8KHz, G.711 8KHz G.726: 16Kbps, 24Kbps, 32Kbps, 40Kbps AAC-LC: 48Kbps at 16KHz
Smart Codec	Manual(5ea area), WiseStream II, WiseStreamIII(Based on AI engine)
Bitrate Control	H.264/H.265: CBR or VBR MJPEG: VBR
Streaming	Unicast(20 users) / Multicast Multiple streaming(Up to 10 profiles, 3 virtual channel support)
Protocol	IPv4, IPv6, TCP/IP, UDP/IP, RTP(UDP), RTP(TCP), RTCP,RTSP, NTP, HTTP, HTTPS, SSL/TLS, DHCP, FTP, SMTP, ICMP, IGMP, SNMPv1/v2c/v3(MIB-2), ARP, DNS, DDNS, QoS, UPnP, Bonjour, LLDP, SRTP (TCP, UDP Unicast)
Security	HTTPS(SSL) Login Authentication Digest Login Authentication IP Address Filtering User access log 802.1X Authentication(EAP-TLS, EAP-LEAP, EAP-PEAP MSCHAPv2) Device Certificate(Hanwha Techwin Root CA, pre-installed) Secure by default certificate HTPM (Hanwha Trusted platform module) Secure OS/Boot/Storage, Verify firmware forgery CyberSecurity assurance program UL CAP (UL 2900-1)
Application Programming Interface	ONVIF Profile S/G/T SUNAPI(HTTP API) Wisenet open platform

General

Webpage Language	English, Korean, Chinese, French, Italian, Spanish, German, Japanese, Russian, Swedish,, Portuguese, Czech, Polish, Turkish, Dutch, Greek, Hungarian
Edge Storage	Micro SD/SDHC/SDXC 1slot 512GB
Memory	2GB RAM, 512MB Flash

Environmental & Electrical

Operating Temperature / Humidity	-40°C~+55°C(-40°F ~ +131°F) * Maximum temperature : +60°C (intermittent) * Start up should be done at above -20°C NEMA TS-2 : 74°C 0~95%RH(non-condensing) Humidity control /w GORE vent
Storage Temperature / Humidity	-50°C ~ +60°C(-58°F ~ +140°F) / Less than 90% RH
Certification	IP66/IP67/NEMA4X, IK10
Input Voltage	PoE(IEEE802.3af, Class3), 12VDC
Power Consumption	PoE: Max 12.95W, typical 10.8W 12VDC: Max 12.5W, typical 10.0W

Mechanical

Color / Material	White / Aluminum + PC Hard-coated window
RAL Code	RAL9003
Product Dimensions / Weight	Ø93.4x276.6mm(Ø3.68x10.89"), 1640g(3.62 lb)
Compatible Conduit hole / Gangbox	SBO-147BA(Sold seperately) single, double, 4" octagon, 4" square

DORI (EN62676-4 standard)

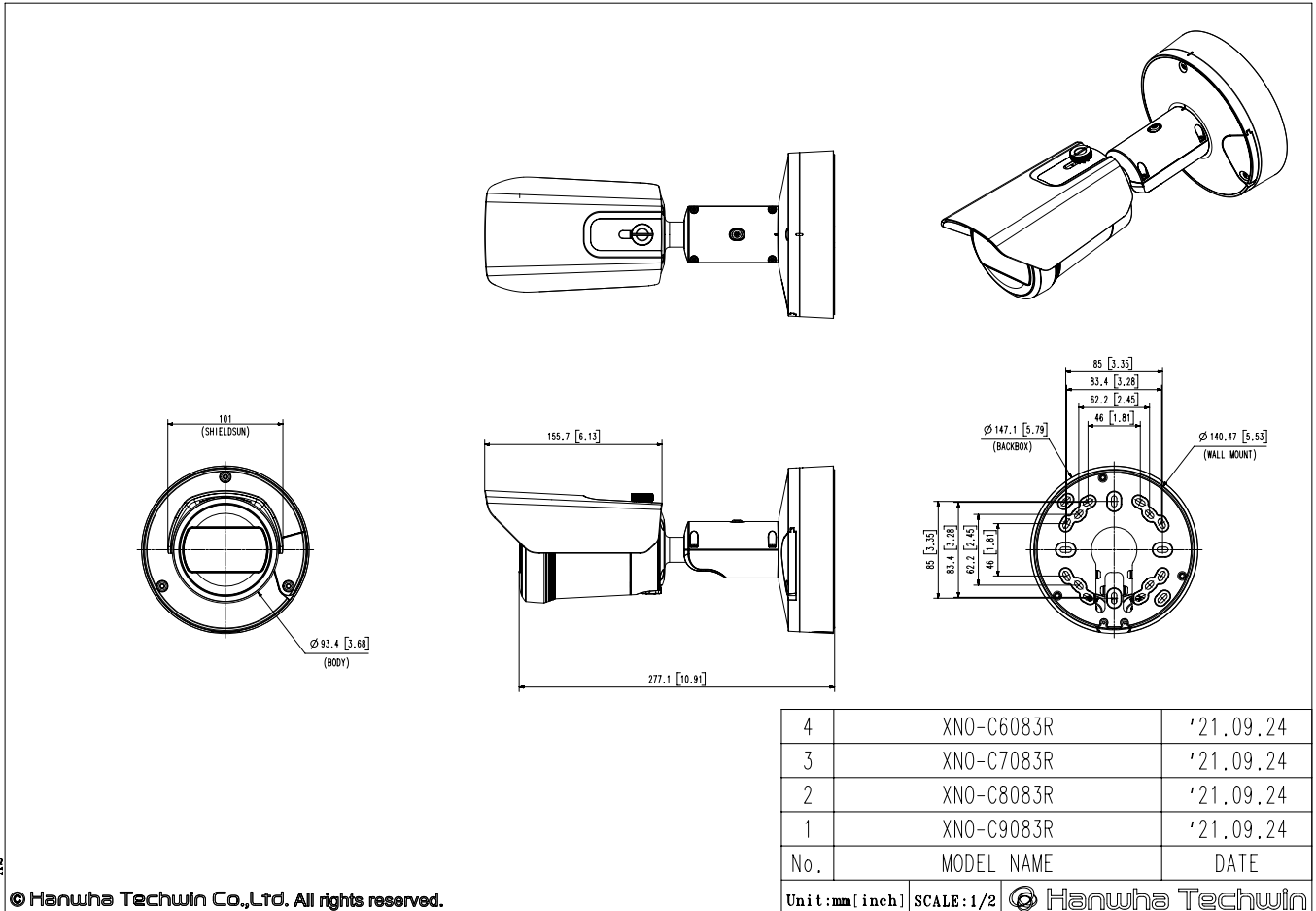
Detect (25PPM/ 8PPF)	Wide: 22.4m(73.47ft) / Tele: 154.6m(507.18ft)
Observe (63PPM/ 19PPF)	Wide: 9.0m(29.39ft) / Tele: 61.8m(202.87ft)
Recognize (125PPM/ 38PPF)	Wide: 4.5m(14.69ft) / Tele: 30.9m(101.44ft)
Identify (250PPM/ 76PPF)	Wide: 2.2m(7.35ft) / Tele: 15.5m(50.72ft)

XNO-C6083R
2MP AI IR Bullet Camera



CAD

Unit: mm [inch]



A2

© Hanwha Techwin Co., Ltd. All rights reserved.