



## XNV-8081RE

5MP Network IR PoE Extender Vandal Dome Camera

### Benefits

- An easy solution for covering greater distance
- Perfect solution for two camera installation with one power source (PoE+)
- Easily add a camera to an existing system
- By simply replacing the existing camera with a PoE Extender product, you can install a new camera without worrying about additional power supply
- Compatible with all Wisenet cameras
- Use the power supply from the POE extender for other devices such as Flood Lights and Motion Sensors
- All usual X Plus Series benefits including:
  - Quick and simple installation
  - Magnets which lock sensor modules into the dome housing
  - Prefigure IP network settings without the need to remove the camera module from the box
  - The network cable can be inserted through the waterproof gland with the aid of an RJ45 plastic push-through device, negating the need to re-make a cable end

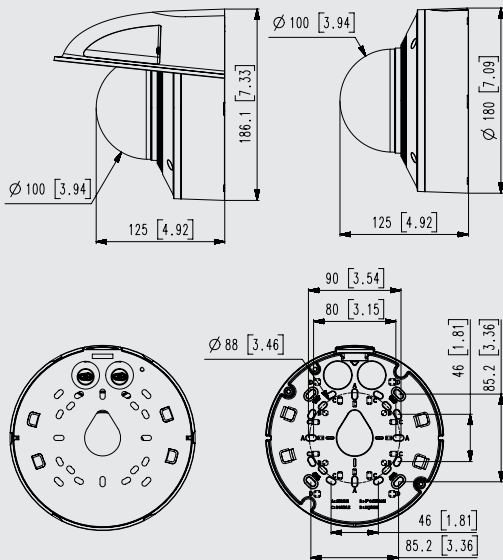
XNV-8081RE	
<b>VIDEO</b>	
Imaging Device	1/1.8" 6MP CMOS
Effective Pixels	2616(H)x1976(V)
Min. Illumination	Colour: 0.07Lux(F1.3, 1/30sec) BW: 0Lux(IR LED)
Video Out	CVBS: 1.0 Vp-p / 75Ω composite, 720x480(N), 720x576(P) for installation USB: Micro USB Type B, 1280x720 for installation
<b>LENS</b>	
Focal Length (Zoom Ratio)	3.9~9.4mm(2.4x) motorized varifocal
Max. Aperture Ratio	F1.3
Angular Field of View	H: 92.1°(Wide)~38.7°(Tele), V: 67.2°(Wide)~29.0°(Tele), D: 119.9°(Wide)~48.6°(Tele)
Min. Object Distance	0.5m(1.64ft)
Focus Control	Simple focus
Lens Type	DC auto iris, P iris
<b>PAN / TILT / ROTATE</b>	
Pan / Tilt / Rotate Range	0°~360° / -45°~85° / 0°~355°
<b>OPERATIONAL</b>	
IR Viewable Length	50m(164.04ft)
Camera Title	Displayed up to 85 characters
Day & Night	Auto(ICR)
Backlight Compensation	BLC, HLC, WDR, SDDR
Wide Dynamic Range	120dB
Digital Noise Reduction	SSNRV
Digital Image Stabilization	Support(built-in gyro sensor)
Defog	Support
Motion Detection	8ea, 8point polygonal zones
Privacy Masking	32ea, rectangular zones - Colour: Grey/Green/Red/Blue/Black/White - Mosaic
Gain Control	Low / Middle / High
White Balance	ATW / AWC / Manual / Indoor / Outdoor
LDC	Support
Electronic Shutter Speed	Minimum / Maximum / Anti flicker (2~1/12,000sec)
Video Rotation	Flip, Mirror, Hallway view(90°/270°)
Analytics	Defocus detection, Directional detection, Fog detection, Face detection, Motion detection, Digital auto tracking, Appear/Disappear, Enter/Exit, Loitering, Tampering, Virtual line, Audio detection, Sound classification, Shock detection
Business Intelligence	People counting, Queue management, Heatmap
Alarm I/O	Input 1ea / Output 1ea
Alarm Triggers	Analytics, Network disconnect, Alarm input
Alarm Events	File upload via FTP and e-mail Notification via e-mail SD/SDHC/SDXC or NAS recording at event triggers Alarm output Handover Audio playback
Audio In	Selectable(mic in/line in), Supply voltage: 2.5VDC(4mA), Input impedance: 2K Ohm
Audio Out	Line out, Max. output level: 1Vrms

## Key Features

- Max. 5MP resolution
- PoE Extender (Main cam, extension cam)
- PoE out: Max. 12.95W@80m
- 3.9~9.4mm(2.4x) motorized varifocal
- 0.07Lux@F1.3 (Colour), 0Lux (B/W, IR LED on)
- IR viewable length 50m
- Day & Night (ICR), WDR (120dB)
- Hallway View, WiseStreamII Support
- Video & audio analytics, Audio playback
- Business Intelligence (People counting, Queue management, Heatmap)
- DIS and shock detection with built-in gyro sensor
- Modular structure, PoE+ in/ PoE out
- IP66/IP67/IP6K9K, IK10+, NEMA4X

## Dimensions

Unit:mm(inch)



## XNV-8081RE

NETWORK	
Ethernet	RJ-45(10/100BASE-T)
Video Compression	H.265/H.264: Main/Baseline/High, MJPEG
Resolution	2560x1920, 2560x1440, 1920x1080, 1600x1200, 1280x1024, 1280x960, 1280x720, 1024x768, 800x600, 800x448, 720x576, 720x480, 640x480, 640x360, 320x240
Max. Framerate	H.265/H.264: Max. 30fps/25fps(60Hz/50Hz) MJPEG: Max. 30fps/25fps(60Hz/50Hz)
Smart Codec	Manual(5ea area), WiseStreamII
Bitrate Control	H.264/H.265: CBR or VBR MJPEG: VBR
Streaming	Unicast(20 users) / Multicast Multiple streaming(Up to 10 profiles)
Audio Compression	G.711 u-law /G.726 Selectable G.726(ADPCM) 8KHz, G.711 8KHz G.726: 16Kbps, 24Kbps, 32Kbps, 40Kbps AAC-LC: 48Kbps at 16KHz
Protocol	IPv4, IPv6, TCP/IP, UDP/IP, RTP(UDP), RTP(TCP), RTCP,RTSP, NTP, HTTP, HTTPS, SSL/TLS, DHCP, FTP, SMTP, ICMP, IGMP, SNMPv1/v2c/v3(MIB-2), ARP, DNS, DDNS, QoS, PIM-SM, UPnP, Bonjour, LLDP, SRTP
Security	HTTPS(SSL) Login Authentication Digest Login Authentication IP Address Filtering User access log 802.1X Authentication(EAP-TLS, EAP-LEAP) Device Certificate(Hanwha Techwin Root CA)
Edge Storage	Micro SD/SDHC/SDXC 2slot 512GB
Application Programming Interface	ONVIF Profile S/G/T SUNAPI(HTTP API) Wisenet open platform
Web Viewer	Supported OS: Windows 8.1, 10, Mac OS X 10.13 Recommended Browser: Google Chrome Supported Browser: MS Internet Explorer 11, MS Edge, Mozilla Firefox(Windows 64bit only), Apple Safari(Mac OS X only)
Memory	1024MB RAM, 256MB Flash
ENVIRONMENTAL	
Operating Temperature / Humidity	-50°C ~ +60°C (-58°F ~ +140°F) / Less than 90% RH * Start up should be done at above -35°C
Storage Temperature / Humidity	-50°C ~ +60°C (-58°F ~ +140°F) / Less than 90% RH
Certification	IP66/IP67/IP6K9K, IK10+, NEMA4X
ELECTRICAL	
Input Voltage	PoE+(IEEE802.3at, Class4)
Power Consumption	Max 25.5 W (Main CAM + Extension CAM) Typical 10.2W (Main CAM) * PoE Out: Max 12.95W at 80meters using CAT5/5E cable
MECHANICAL	
Colour / Material	White / Aluminum
RAL Code	RAL9003
Product dimensions / weight	Ø180x125mm(7.09x4.92"), 1.75kg(3.86 lb)
DORI	
Detect (25PPM/ 8PPF)	Wide: 49.4m(162.07ft) / Tele: 146m(479.00ft)
Observe (63PPM/ 19PPF)	Wide: 19.7m(64.63ft) / Tele: 58m(190.29ft)
Recognise (125PPM/ 38PPF)	Wide: 9.9m(32.48ft) / Tele: 29m(95.14ft)
Identify (250PPM/ 76PPF)	Wide: 4.9m(16.08.22ft) / Tele: 15m(49.21ft)

\* The latest product information / specification can be found at [hanwha-security.com](http://hanwha-security.com)

\* Design and specifications are subject to change without notice.

\* Wisenet is the proprietary brand of Hanwha Techwin.