

XNO-6085

2M Network Bullet Camera

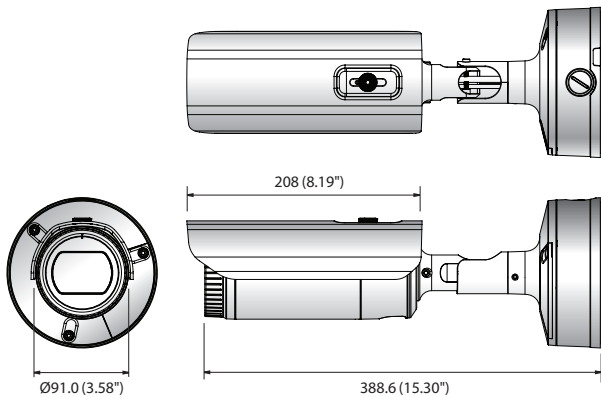


Key Features

- Max. 2 megapixel (1920 x 1080) resolution
- 4.1 ~ 16.4mm (4x) motorized varifocal lens
- Max. 60fps@all resolutions (H.265/H.264)
- H.265, H.264, MJPEG codec supported, Multiple streaming
- Day & Night (ICR), WDR (150dB), Defog
- Digital image stabilization with built-in Gyro sensor
- Loitering, Directional detection, Fog detection, Audio detection, Digital auto tracking, Sound classification, Tampering
- Motion detection, Handover
- SD/SDHC/SDXC memory slot (Max. 512GB)
- Hallway view, WiseStreamII support
- LDC, PoE / 24V AC, 12V DC, Bi-directional audio support

Dimensions

Unit : mm (inch)



Accessories (Optional)



SBP-302PM

	XNO-6085
VIDEO	
Imaging Device	1/2" 2.17M CMOS
Total Pixels	1,952(H) X 1,113(V) approx 2.17M pixels
Effective Pixels	1,945(H) X 1,097(V) approx 2.13M pixels
Scanning System	Progressive Scan
Min. Illumination	Color : 0.004 Lux (1/30sec, F0.94), B/W : 0 Lux (IR LED on)
S / N Ratio	50dB
Video Out	CVBS : 1.0 Vpp / 75Ω composite, 720 x 480(N), 720 x 576(P), for installation USB : micro USB type B, 1280 x 720 for installation
LENS	
Focal Length (Zoom Ratio)	4.1 ~ 16.4mm (Optical 4X) motorized varifocal
Max. Aperture Ratio	F0.94(Wide) ~ F2.4(Tele)
Angular Field of View	H : 100°(Wide) ~ 26.2°(Tele) / V : 54°(Wide) ~ 14.8°(Tele) / D : 116°(Wide) ~ 30.0°(Tele)
Min. Object Distance	0.7m (2.30ft)
Focus Control	Simple focus (motorized V/F) / Manual
Lens / Mount Type	DC auto iris / Board-in type
OPERATIONAL	
Camera Title	Off / On (Displayed up to 85 characters) - W/W : English / Numeric / Special characters - China : English / Numeric / Special / Chinese characters - Common : Multi-line (Max. 5), Color (Gray / Green / Red / Blue / Black / White), Transparency, Auto scale by resolution
Day & Night	Auto (ICR) / Color / B/W / External / Schedule
Backlight Compensation	Off / BLC / HLC / WDR
Wide Dynamic Range	150dB
Contrast Enhancement	SSDR (Off / On)
Digital Noise Reduction	SSNRV (2D+3D noise filter) (Off / On)
Digital Image Stabilization	Off / On (Built-in Gyro sensor)
Defog	Off / Auto / Manual
Motion Detection	Off / On (Bea, 8point polygonal zones), Handover
Privacy Masking	Off / On (32ea, polygonal zones) - Color : Gray / Green / Red / Blue / Black / White - Mosaic
Gain Control	Off / Low / Middle / High
White Balance	ATW / AWC / Manual / Indoor / Outdoor (Included mercury & Sodium)
Contrast	Level adjustment
LDC (Lens Distortion Correction)	Off / On (5 levels with min / max)
Electronic Shutter Speed	Minimum / Maximum / Anti flicker (2 ~ 1/12,000sec)
Digital PTZ	24x, Digital PTZ (Preset, Group)
Flip / Mirror	Off / On, Hallway view : 90°/270°
Video & Audio Analytics	Tampering, Loitering, Directional detection, Defocus detection, Fog detection, Virtual line, Enter/Exit, (Dis) Appear, Audio detection, Face detection, Motion detection, Digital auto tracking, Sound classification
Alarm I/O	Input 1ea / Output 1ea
Alarm Triggers	Alarm input, Motion detection, Video & Audio analytics, Network disconnect
Alarm Events	File upload via FTP, E-mail, Notification via E-mail, Local storage (SD/SDHC/SDXC) or NAS recording at event triggers, External output, DPTZ preset
Pixel Counter	Support
NETWORK	
Ethernet	RJ-45 (10/100 BASE-T)
Video Compression Format	H.265 / H.264 (MPEG-4 part 10/AVC) : Main / Baseline / High, MJPEG
Resolution	1920 x 1080, 1280 x 1024, 1280 x 960, 1280 x 720, 1024 x 768, 800 x 600, 800 x 448, 720 x 576, 720 x 480, 640 x 480, 640 x 360, 320 x 240
Max. Framerate	H.265 / H.264 : Max. 60fps at all resolutions, MJPEG : Max. 30fps
Smart Codec	Manual mode (Area-based : 5ea)
WiseStream II	Support
Video Quality Adjustment	H.265 / H.264 / MJPEG : Target Bitrate Level Control
Bitrate Control Method	H.265 / H.264 : CBR or VBR, MJPEG : VBR
Streaming Capability	Multiple streaming (Up to 10 profiles)
Audio In	Selectable (Mic in / Line in), Supply voltage : 2.5V DC (4mA), Input impedance : approx. 2K Ohm
Audio Out	Line out (3.5mm mono jack), Max output level : 1 Vrms
Audio Compression Format	G.711 u-law/G.726 selectable, G.726 (ADPCM) 8KHz, G.711 8KHz G.726 : 16Kbps, 24Kbps, 32Kbps, 40Kbps, AAC-LC : 48Kbps at 16KHz
Audio Communication	Bi-directional (2-way)
IP	IPv4, IPv6
Protocol	TCP/IP, UDP/IP, RTP (UDP), RTP (TCP), RTCP, RTSP, NTP, HTTP, HTTPS, SSL/TLS, DHCP, PPPoE, FTP, SMTP, ICMP, IGMP, SNMPv1/v2c/v3 (MIB-2), ARP, DNS, DDNS, QoS, PIM-SM, UPnP, Bonjour
Security	HTTPS (SSL) login authentication, Digest login authentication IP address filtering, User access log, 802.1X authentication (EAP-TLS, EAP-LEAP)
Streaming Method	Unicast / Multicast
Max. User Access	20 users at unicast mode
Edge Storage	SD/SDHC/SDXC 2slot (Up to 512GB) - Continuous recording (1st slot to 2nd slot) NAS (Network Attached Storage), Local PC for instant recording
Application Programming Interface	ONVIF profile S/G, SUNAPI 2.0 (HTTP API), Wisenet Open Platform
Webpage Language	English, French, German, Spanish, Italian, Chinese, Russian, Japanese, Swedish, Portuguese, Turkish, Polish, Czech, Dutch, Hungary, Greek
Web Viewer	Supported OS : Windows 7, 8, 10, Mac OS X 10.10, 10.11, 10.12 Non-plugin Webviewer - Supported Browser : Google Chrome 56, MS Edge 39, Mozilla Firefox 61 (Window 64bit only), Apple Safari 10 (Mac OS X only) Plug-in Webviewer - Supported Browser : MS Explore 11, Apple Safari 10 (Mac OS X only)
Central Management Software	SmartViewer
ENVIRONMENTAL	
Operating Temperature / Humidity	-40°C ~ +55°C (-40°F ~ +131°F) / Less than 90% RH * Start up should be done at above -35°C (-31°F)
Storage Temperature / Humidity	-40°C ~ +60°C (-40°F ~ +140°F) / Less than 90% RH
Ingress Protection / Vandal Resistance	IP67, IP66, NEMA 4X / IK10
ELECTRICAL	
Input Voltage / Current	24V AC ±10%, 12V DC ±10%, PoE (IEEE802.3af, Class3)
Power Consumption	Max. 14.5W (24V AC), Max. 1.5W (12V DC), Max. 12.95W (PoE)
MECHANICAL	
Color / Material	Dark gray / Aluminum
Dimensions (WxH)	Ø91.0 x 388.6mm (Ø3.58" x 15.30")
Weight	2.35Kg (5.18 lb)

* The latest product information / specification can be found at hanwha-security.com
* Design and specifications are subject to change without notice.