

2Megapixel Full HD Weatherproof Network IR Camera

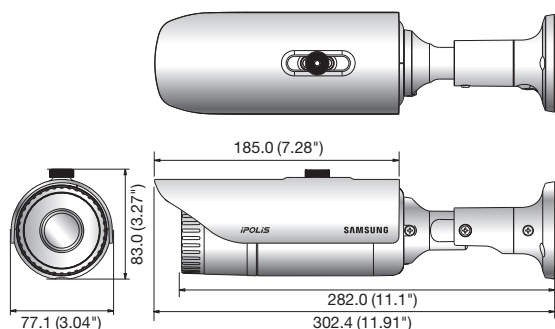


Key Features

- Max. 2M (1920 x 1080) resolution
- Built-in 3.8mm fixed lens
- H.264, MJPEG dual codec, Multiple streaming
- WDR (100dB), Defog
- Day & Night (ICR), Enhanced DIS
- micro SD/SDHC/SDXC memory slot
- Multi-crop streaming
- IR LED (16ea), PoE, IP66

Dimensions

Unit : mm (inch)



	SNO-6011RN/P
VIDEO	
Imaging Device	1/2.8" 2.38M CMOS
Total Pixels	1,952(H) x 1,236(V)
Effective Pixels	1,944(H) x 1,224(V)
Scanning System	Progressive
Min. Illumination	Color : 0.3Lux (F2.0, 50IRE), 0.03Lux (2sec, 50IRE), 0.08Lux (F2.0, 30IRE) B/W : 0Lux (IR LED on), 0Lux (F2.0, 30IRE, IR LED on)
S / N Ratio	50dB
Video Output	CVBS : 1.0Vpp / 75Ω composite, 704 x 480(N), 704 x 576(P)
LENS	
Focal Length (Zoom Ratio)	3.8mm fixed
Max. Aperture Ratio	F2.0
Angular Field of View	H : 84.5° / V : 45.8° / D : 98.8°
Min. Object Distance	0.5m (1.64ft)
Focus Control	Manual
Mount Type	Board-in type
OPERATIONAL	
IR LED	16ea
Viewable Length	15m (49.21ft)
Camera Title	Off / On (Displayed up to 45 characters)
Day & Night	Auto (ICR) / Color / B/W
Backlight Compensation	Off / BLC
Wide Dynamic Range	WDR 15fps 100dB
Contrast Enhancement	SSDR (Samsung Super Dynamic Range) (Off / On)
CAR (Color Aberration Reduction)	Off / Low / Middle / High
Digital Noise Reduction	SSNRIII (2D+3D noise filter) (Off / On)
Digital Image Stabilization	Off / On
Defog	Off / Auto / Manual
Motion Detection	Off / On (4ea 4 points polygonal zones)
Privacy Masking	Off / On (32ea polygonal zones)
Gain Control	Off / Low / Middle / High
White Balance	ATW / AWC / Manual / Indoor / Outdoor
Electronic Shutter Speed	Auto / A.FLK / Manual (1/30 ~ 12,000sec)
Flip / Mirror	Off / On
Intelligent Video Analytics	Tampering, Virtual line, Enter / Exit, (Dis)Appear, Face detection with metadata
Alarm I/O	Input 1ea
Alarm Triggers	Motion detection, Tampering, Face detection, Video analytics, Alarm input
Alarm Events	File upload via FTP and E-mail, Notification via E-mail, Local storage (SD/SDHC/SDXC) or NAS recording at Event (Alarm triggers)
NETWORK	
Ethernet	RJ-45 (10/100BASE-T)
Video Compression Format	H.264 (MPEG-4 part 10/AVC), MJPEG
Resolution	1920 x 1080, 1600 x 1200, 1280 x 1024, 1280 x 960, 1280 x 720, 1024 x 768, 800 x 600, 800 x 450, 640 x 480, 320 x 240, 320 x 180
Max. Framerate	H.264 : Max. 30fps at all resolutions MJPEG : 1920 x 1080, 1600 x 1200, 1280 x 1024, 1280 x 960, 1280 x 720, 1024 x 768 : Max. 15fps 800 x 600, 800 x 450, 640 x 480, 320 x 240, 320 x 180 : Max. 30fps
Video Quality Adjustment	H.264 : Compression level, Target bitrate level control, MJPEG : Quality level control
Bitrate Control Method	H.264 : CBR or VBR, MJPEG : VBR
Streaming Capability	Multiple streaming (Up to 10 profiles)
IP	IPv4, IPv6
Protocol	TCP/IP, UDP/IP, RTP(UDP), RTP(TCP), RTCP, RTSP, NTP, HTTP, HTTPS, SSL, DHCP, PPPoE, FTP, SMTP, ICMP, IGMP, SNMPv1/v2c/v3(MIB-2), ARP, DNS, DDNS, QoS, PIM-SM, UPnP, Bonjour
Security	HTTPS(SSL) login authentication, Digest login authentication IP address filtering, User access log, 802.1x authentication
Streaming Method	Unicast / Multicast
Max. User Access	15 users at unicast mode
Edge Storage	micro SD/SDHC/SDXC Motion images recorded in the SDXC/SDHC/SD memory card can be downloaded
Application Programming Interface	ONVIF profile S, HTTP API (SUNAPI) 2.0, SVNP 1.2
Webpage Language	English, French, German, Spanish, Italian, Chinese, Korean, Russian, Japanese, Swedish, Danish, Portuguese, Turkish, Polish, Czech, Rumanian, Serbian, Dutch, Croatian, Hungarian, Greek, Norwegian, Finnish
Web Viewer	Supported OS : Windows XP / VISTA / 7 / 8 / 8.1, MAC OS X 10.7 Supported Browser : Microsoft Internet Explorer (Ver. 11 ~ 8) Mozilla Firefox (Ver. 19 ~ 9) * Windows only Google Chrome (Ver. 25 ~ 15) * Windows only Apple Safari (Ver. 6.0.2(Mac OS X 10.8, 10.7 only), 5.1.7) * Mac OS X only
Central Management Software	SmartViewer
ENVIRONMENTAL	
Operating Temperature / Humidity	-30°C ~ +55°C (-22°F ~ +131°F) / Less than 90% RH *Start up should be done at above -10°C (+14°F)
Storage Temperature / Humidity	-30°C ~ +60°C (-22°F ~ +140°F) / Less than 90% RH
Ingress Protection	IP66
ELECTRICAL	
Input Voltage / Current	PoE (IEEE802.3af)
Power Consumption	Max. 8.5W
MECHANICAL	
Color / Material	Dark gray / Plastic
Dimensions (WxHxD)	77.1 x 83.0 x 302.4mm (3.04" x 3.27" x 11.91")
Weight	330g (0.73 lb)

* Data recorded on an SD memory card may be lost or damaged by data access during power-off, mechanical shock, memory card detachment, or other operations. Data loss or damage can also occur when a memory card reaches end of life, which varies according to operational conditions. No guarantee is given against damage (including passive damage).

* The latest product information / specification can be found at www.samsungsecurity.com