

**AC-DC REGULATED SWITCHING POWER ADAPTER SPECIFICATION**

MODEL NO.	MW3R15GS	ISSUE DATE	2008-11-21
CUSTOMER		REF. NO.	

INPUT

INPUT VOLTAGE	100 to 240 Vac
INPUT FREQUENCY	50/ 60 Hz
NO LOAD POWER CONSUMPTION	< 0.3 W
INPUT FULL LOAD CURRENT(at 100 Vac)	0.35 A
INPUT POWER	23.7W Max

OUTPUT

LIGHT LOAD OUTPUT VOLTAGE	3/4.5/5/6/7.5/9/12 V dc $\pm 10\%$
FULL LOAD OUTPUT VOLTAGE	3/4.5/5/6/7.5/9/12V dc $\pm 10\%$
MIN LOAD OUTPUT CURRENT	0 A
MAX LOAD OUTPUT CURRENT	1.5 A
NOISE TEST BANDWIDTH	20MHz Each output bypassed by a 10uF electrolytic capacitor parallel with a 0.1uF ceramic capacitor to GND
LINE REGULATION	0.5 % Input 90 to 264 Vac output loaded at full load
SETUP,RISE,HOLD UPTIME	200ms,30ms,17ms/115Vac; 200ms,20ms,80ms/230Vac

OVERALL PERFORMANCE

TOTAL OUTPUT POWER	18 W Max
EFFICIENCY	COMPLIED with EUP

PROTECTION

<input checked="" type="checkbox"/> OVER CURRENT PROTECTION	<input checked="" type="checkbox"/> SHORT CIRCUIT PROTECTION
<input checked="" type="checkbox"/> OVER VOLTAGE PROTECTION	<input checked="" type="checkbox"/> L.P.S (Limits for power source)
<input checked="" type="checkbox"/> OVER POWER PROTECTION	<input type="checkbox"/> AUTOMATIC THERMAL PROTECTION

HI-POT

INPUT TO OUTPUT	3000Vac 5 mA 50/60 Hz
INPUT TO CASE	3000Vac 5 mA 50/60Hz
OUTPUT TO CASE	1500 Vac 5 mA 50/60Hz
ISOLATION RESISTANCE	100 M Ohms I/P-O/P I/P/Enclosure
APPLIANCE	CLASS I <input type="checkbox"/> II <input checked="" type="checkbox"/> III <input type="checkbox"/>

ENVIRONMENTAL

OPERATING TEMPERATURE	0 °C to 25 °C
STORGE TEMPERATURE	-20 °C to 60 °C
OPERATING HUMIDITY	20%-85% RH. NON-CONDENSING
STORGE HUMIDITY	10%-90% RH. NON-CONDENSING

SAFFY STANDARDS

SAFETY STANDARDS	GS
EMC STANDARDS	CE

RELIABILITY

MTBF	50000 Hours min
BURN-IN	4 Hours 25°C,full load,220Vac,50Hz



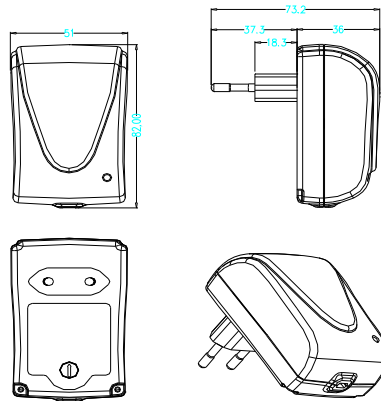
AC-DC REGULATED SWITCHING POWER ADAPTER SPECIFICATION

MODEL NO.	MW3R15GS	ISSUE DATE	2008-11-21
CUSTOMER		REF. NO.	

MECHANICAL SPECIFICATION

DIMENSION	82 mm(L)*51 mm(W)* 73.2mm(H)
WEIGHT	145g MAX exclude packing
INPUT CORD	
INPUT PLUG	EU
OUTPUT CORD	
OUTPUT PLUG	
OUTPUT CONNECTOR	

APPEARANCE & DIMENSIONS



APPROVE:

AUDITING:

CONNER: